

Amerock®



FULL LINE MASTER DISTRIBUTOR OF AMEROCK
THIS PAGE FOR COLOR REFERENCE ONLY

SILVER TONES



26, CH
POLISHED CHROME



PN
POLISHED NICKEL



G10, SN
SATIN NICKEL (MATTE)



SC
SILVER CHAMPAGNE



G9
STERLING NICKEL



S
SILVER



G10
SATIN NICKEL



14
NICKEL



SS
STAINLESS STEEL



AA
ANODIZED ALUMINUM



26D, SCH
BRUSHED CHROME



BBN
BLACK BRUSHED NICKEL



BCR
BLACK CHROME



AS
ANTIQUE SILVER



AP
AGED PEWTER



AN
ANTIQUE NICKEL



WN
WEATHERED NICKEL



WNC
WEATHERED NICKEL COPPER

GOLD TONES



CZ
CHAMPAGNE BRONZE



BBZ
BRUSHED BRONZE OR GOLDEN CHAMPAGNE



3, PB
POLISHED BRASS



GB
GILDED BRONZE



AE
ANTIQUE ENGLISH



EB
ELEGANT BRASS



O77, BB
BURNISHED BRASS



AB, ABS
ANTIQUE BRASS



DBS
DISTRESSED BRASS



R1
REGENCY BRASS



R2
WEATHERED BRASS



R3
RUSTIC BRASS

THIS PAGE FOR COLOR REFERENCE ONLY

BOLD TONES



AC
ANTIQUE COPPER



BC
BRUSHED COPPER



WC
WEATHERED
COPPER



RBZ
RUSTIC BRONZE



CBZ
CARMEL BRONZE



ART
ANTIQUE RUST



VS
VIRIDIAN SLATE



RB
ROMAN BRONZE



VB
VENETIAN
BRONZE



ORB
OIL-RUBBED
BRONZE



DOB
DARK OILED
BRONZE

BLACK TONES



WI, WID
WROUGHT IRON
OR WROUGHT
IRON DARK



PWT
PEWTER



GM
GUNMETAL



GPH
GRAPHITE



BN, BNB
BLACK NICKEL



BBR
BLACK BRONZE



FB
FLAT BLACK



CB
COLONIAL BLACK



MB
MATTE BLACK

MISCELLANEOUS TONES



30, W, 54, GW
WHITE



MW
MARBLE WHITE



MBK
MARBLE BLACK

EVERYDAY HERITAGE

ITEM	MSRP
1910	\$2.51
53018	\$4.53
69151	\$2.51
3413	\$3.77
888	\$5.79
53001	\$3.27
53011	\$3.77
53015	\$3.77
173	\$3.77
29113	\$2.51
29115	\$6.29
53006	\$2.51
3401	\$3.77
3403	\$2.51
29111	\$6.29
52996	\$4.22
69153	\$3.23
53009	\$5.02
76312	\$2.68
76313	\$2.52
867	\$2.38

1910-G10
1 1/4" DIA
1 1/8" PROJ



G10

53018-G10
1 3/8" L
1 1/2" PROJ



ORB G10 26

69151-G10
1 1/2" DIA
3/4" PROJ



G10

3413-26
1 1/2" DIA
5/8" PROJ



26

888-AE
1 3/8" DIA
5/8" PROJ



AE

53001-ORB
1 1/4" DIA
7/8" PROJ



ORB

53011-G10
1 1/4" DIA
1 1/8" PROJ



FB ORB G10

53015-G10
1 1/4" DIA
1" PROJ



FB ORB G10

173-ORB
3" C/C | 4 5/8" L



ORB G10

29113-G10
1 1/4" DIA
3/4" PROJ



ORB G10

29115-G10
1 1/2" DIA
1 1/8" PROJ



G10

53006-ORB
3" C/C | 3 3/8" L



ORB

3401-CB
3 1/4" C/C | 5 1/16" L



CB

3403-CB
1 1/4" DIA
3/4" PROJ



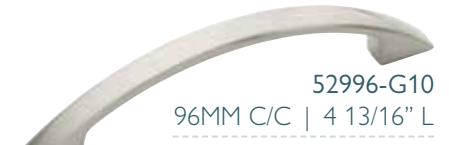
CB

29111-G10
128MM C/C | 6" L



G10

52996-G10
96MM C/C | 4 13/16" L



G10

69153-G10
3" C/C | 4" L



G10

53009-G10
3" C/C | 3 3/8" L



G10

76312-G10
4" C/C | 4 1/4" L



G10

867-CS26D
3 1/2" C/C | 3 13/16" L



CS26D CSG10

76313-26
6" C/C | 4 1/4" L



26

ACCENTS

AVAILABLE FINISHES



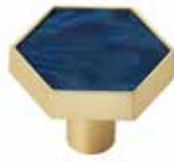
ITEM	MSRP
36970	\$19.05
36971	\$19.05
36972	\$25.40
36973	\$19.05



36971-EMG
1 1/4" DIA | 7/8" PROJ



36972-MOP
2" DIA | 7/8" PROJ



36973-NVB
1 5/16" DIA | 15/16" PROJ



36970-PNK
1 1/4" DIA | 25MM PROJ



AVAILABLE FINISHES



ITEM	MSRP
36743	\$21.56
36744	\$24.48
36745	\$26.81
36746	\$31.47



36743-BCR
106MM C/C | 5 3/16" L



36744-BCR
116MM C/C | 7 3/4" L



36745-BCR
167MM C/C | 9 3/4" L



36746-BCR
217MM C/C | 11 11/16" L



ALOFT

ANGLE

AVAILABLE FINISHES



ITEM	MSRP
37299	\$7.55
37300	\$8.63
37301	\$9.71
37302	\$11.87
37303	\$16.19
37304	\$10.79



37299-MB
3" C/C | 5 1/16" L



37300-MB
3 3/4" C/C | 6 1/4" L



37301-MB
5 1/16" C/C | 7 9/16" L



37304-MB
6 5/16" C/C | 8 7/8" L



37302-MB
7 9/16" C/C | 10 1/8" L



37303-MB
10 1/16" C/C | 12 5/8" L

AVAILABLE FINISHES



ITEM	MSRP
36758	\$10.07
36759	\$11.32
36760	\$16.36
36761	\$21.39
36762	\$12.58
36763	\$17.61
36764	\$10.07
37360	\$19.05
37361	\$31.75
37362	\$38.10
37363	\$27.69
54030	\$139.75
54031	\$202.01



36762-CZ
76MM C/C | 4 7/8" L



36763-CZ
96MM C/C | 7 7/16" L



36764-CZ
76MM C/C | 3 3/4" L



36759-CZ
96MM C/C | 4 9/16" L



36760-CZ
128MM C/C | 5 13/16" L



36761-CZ
192MM C/C | 8 5/16" L



37363-CZ
8 13/16" C/C | 9 9/16" L



54030-CZ
12" C/C | 13" L
APPLIANCE PULL



54031-CZ
18" C/C | 19" L
APPLIANCE PULL



36758-CZ
1 1/4" DIA | 1" PROJ



ARC

AVAILABLE FINISHES



NOTE: Only 3416 is available in 3 Finish.



37355-ORB
3" C/C | 4 1/16" L



37356-ORB
3 3/4" C/C | 4 15/16" L



37357-ORB
5 1/16" C/C | 6 1/4" L



69158-ORB
6 5/16" C/C | 7 13/16" L

ITEM	MSRP
37355	\$3.23
37356	\$5.39
37357	\$6.47
69153	\$3.23
69158	\$7.55

ARDEN

AVAILABLE FINISHES



37340-CZ
1 1/4" DIA | 1 1/4" PROJ

ITEM	MSRP
37340	\$7.55

AUGMENT

AVAILABLE FINISHES



37150-G10
3" C/C | 3 3/8" L



37151-G10
3 3/4" C/C | 4 1/16" L



37152-G10
5 1/16" C/C | 5 7/16" L



37153-G10
6 5/16" C/C | 6 11/16" L

ITEM	MSRP
37150	\$5.39
37151	\$6.47
37152	\$7.55
37153	\$8.63



ASHBY

AVAILABLE FINISHES



ITEM	MSRP
36640	\$17.48



36640-GM
76MM C/C | 5 1/8" L

AVAILABLE FINISHES



BAR PULLS

ITEM	MSRP
19010	\$7.04
19011	\$8.45
19012	\$12.68
19013	\$14.09
19541	\$9.86



19010-SS
3" C/C | 5 3/8" L



19011-SS
96MM C/C | 6 1/8" L



19541-SS
128MM C/C | 7 3/8" L



19012-SS
192MM C/C | 9 15/16" L



19013-SS
256MM C/C | 13 1/4" L



BAR PULLS

AVAILABLE FINISHES



ITEM	MSRP
19009	\$5.93
40515	\$7.55
40516	\$8.63
40517	\$10.79
40520	\$11.43
40521	\$13.96
40518	\$12.95
40519	\$15.11
19014	\$15.51
19015	\$18.32
19016	\$21.15
19017	\$23.97
19018	\$26.79
19019	\$33.47
54008	\$91.79
54025	\$119.87
54026	\$161.99

19009-ORB
2" L | 1 3/8" PROJ

40515-ORB
3" C/C | 5 3/8" L

40516-ORB
96MM C/C | 6 1/8" L

40517-ORB
128MM C/C | 7 3/8" L

40520-ORB
160MM C/C | 8 5/8" L

40521-ORB
178MM C/C | 9 3/8" L

40518-ORB
192MM C/C | 9 7/8" L

40519-ORB
256MM C/C | 13 1/4" L

19014-ORB
320MM C/C | 15 3/4" L

19015-ORB
416MM C/C | 19 1/2" L

19016-ORB
480MM C/C | 22" L

19017-ORB
544MM C/C | 24 9/16" L

19018-ORB
640MM C/C | 28 3/8" L

19019-ORB
768MM C/C | 33 3/8" L

54008-ORB
12" C/C | 14 5/8" L
APPLIANCE PULL

54025-ORB
18" C/C | 20 5/8" L
APPLIANCE PULL

54025-ORB
18" C/C | 20 5/8" L
APPLIANCE PULL

AVAILABLE FINISHES



BALATA

37622-26
3" C/C | 3 9/16" L

37623-26
3 3/4" C/C | 4 5/16" L

37624-26
5 1/16" C/C | 5 9/16" L

37625-26
6 5/16" C/C | 6 13/16" L

37626-26
7 9/16" C/C | 8 1/8" L

37627-26
8 13/16" C/C | 9 3/8" L

37628-26
10 1/16" C/C | 10 11/16" L

37629-26
12 5/8" C/C | 13 3/16" L

37630-26
12" C/C | 12 13/16" L
APPLIANCE PULL

37631-26
18" C/C | 18 13/16" L
APPLIANCE PULL



37620-26
1" DIA | 1 5/16" PROJ



37632-26
1 1/8" DIA | 1 5/16" PROJ



37621-26
2" DIA | 1 3/8" PROJ

ITEM	MSRP
37620	\$11.75
37621	\$12.93
37622	\$15.28
37623	\$16.46
37624	\$18.81
37625	\$22.34
37626	\$27.05
37627	\$32.93
37628	\$41.16
37629	\$52.93
37630	\$152.93
37631	\$211.75
37632	\$12.93



BALLARD

AVAILABLE FINISHES

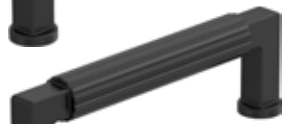


ITEM	MSRP
37640	\$11.75
37641	\$12.93
37642	\$15.28
37643	\$16.46
37644	\$18.81
37645	\$22.34
37646	\$27.05
37647	\$32.93
37648	\$41.16
37649	\$52.93
37650	\$152.93
37651	\$211.75
37652	\$12.93

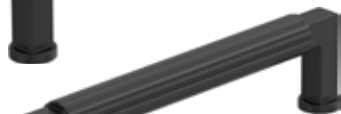
37642-MB
3" C/C | 3 9/16" L



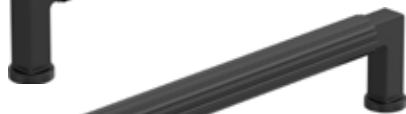
37643-MB
3 3/4" C/C | 4 5/16" L



37644-MB
5 1/16" C/C | 5 9/16" L



37645-MB
6 5/16" C/C | 6 13/16" L



37646-MB
7 9/16" C/C | 8 1/8" L



37647-MB
8 13/16" C/C | 9 3/8" L



37648-MB
10 1/16" C/C | 10 11/16" L



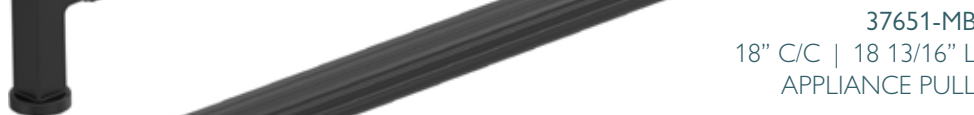
37649-MB
12 5/8" C/C | 13 3/16" L



37650-MB
12" C/C | 12 13/16" L
APPLIANCE PULL



37651-MB
18" C/C | 18 13/16" L
APPLIANCE PULL



37640-MB
1" L | 1 5/16" PROJ

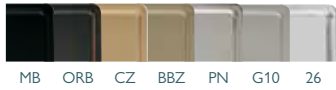


37652-MB
1 1/8" DIA | 1 5/16" PROJ



37641-MB
2" DIA | 1 3/8" PROJ

AVAILABLE FINISHES



BALON

37482-CZ
3" C/C | 3 9/16" L

37483-CZ
3 3/4" C/C | 4 5/16" L

37484-CZ
5 1/16" C/C | 5 9/16" L

37485-CZ
6 5/16" C/C | 6 13/16" L

37486-CZ
7 9/16" C/C | 8 1/8" L

37487-CZ
8 13/16" C/C | 9 3/8" L

377488-CZ
10 1/16" C/C | 10 11/16" L

37489-CZ
12 5/8" C/C | 13 3/16" L

37490-CZ
12" C/C | 12 13/16" L
APPLIANCE PULL

37491-CZ
18" C/C | 18 13/16" L
APPLIANCE PULL



37480-CZ
1" L | 1 5/16" PROJ



37492-CZ
1 1/8" DIA | 1 5/16" PROJ



377481-CZ
2" DIA | 1 3/8" PROJ

ITEM	MSRP
37480	\$10.58
37481	\$11.75
37482	\$14.11
37483	\$15.28
37484	\$17.64
37485	\$21.16
37486	\$25.87
37487	\$31.75
37488	\$37.64
37489	\$49.40
37490	\$147.05
37491	\$187.05
37492	\$11.75



BELLAMY

AVAILABLE FINISHES



ITEM	MSRP
36687	\$11.75
36688	\$14.11
36689	\$16.46
36690	\$18.81
36691	\$29.40
36710	\$12.93
36711	\$23.52
36712	\$35.28
36713	\$147.05
36714	\$47.05
36715	\$187.05



36710
3" C/C | 3 7/8" L

36687
1 1/2" L | 1 1/16" PROJ



36688
3 3/4" C/C | 4 5/8" L



36689
5 1/16" C/C | 6 1/16" L



36690
6 5/16" C/C | 7 7/16" L



36711
7 9/16" C/C | 8 11/16" L



36691
8 13/16" C/C | 10" L



36712
10 1/16" C/C | 11 3/16" L



36714
12 5/8" C/C | 13 7/8" L



36713
12" C/C | 13 7/16" L
APPLIANCE PULL



36715
18" C/C | 19 1/2" L
APPLIANCE PULL

AVAILABLE FINISHES



55274-BBZ
1 13/16" L | 3/4" PROJ



55270-BBZ
1 5/16" DIA | 1" PROJ



55275-BBZ
3" C/C | 3 3/4" L



55272-BBZ
1 5/8" DIA | 1 1/4" PROJ



55276-BBZ
96MM C/C | 4 5/8" L



55271-BBZ
1 3/16" L | 1 1/16" PROJ



55277-BBZ
128MM C/C | 6" L



55278-BBZ
160MM C/C | 7 1/4" L



55273-BBZ
1 1/2" L | 1 3/8" PROJ



55282-BBZ
203MM C/C | 8 15/16" L



55283-BBZ
256MM C/C | 11" L



55284-BBZ
320MM C/C | 13 9/16" L

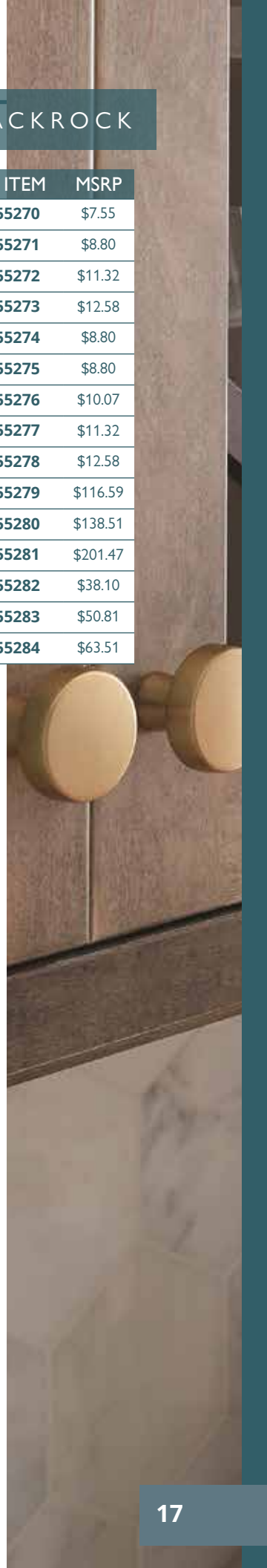


55280-BBZ
12" C/C | 13 3/8" L
APPLIANCE PULL



55281-BBZ
18" C/C | 19 3/8" L
APPLIANCE PULL

ITEM	MSRP
55270	\$7.55
55271	\$8.80
55272	\$11.32
55273	\$12.58
55274	\$8.80
55275	\$8.80
55276	\$10.07
55277	\$11.32
55278	\$12.58
55279	\$116.59
55280	\$138.51
55281	\$201.47
55282	\$38.10
55283	\$50.81
55284	\$63.51



BLTYHE

AVAILABLE FINISHES



WN

ITEM	MSRP
55222	\$5.82



55222-WN
3" C/C | 3 5/8" L

BRIDGEPORT

AVAILABLE FINISHES



MB ORB CZ G10 26

ITEM	MSRP
37030	\$6.47
37031	\$7.55
37032	\$8.63
37033	\$9.71



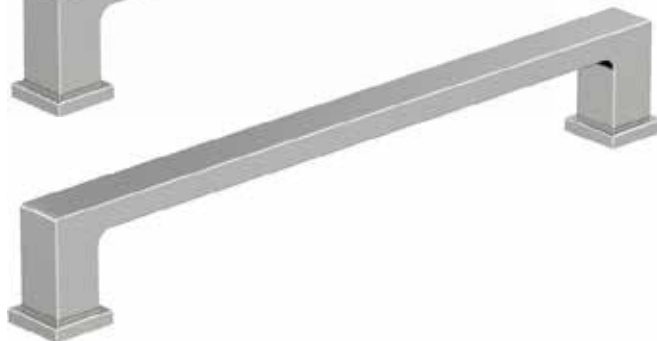
37030-26
3" C/C | 3 11/16" L



37031-26
3 3/4" C/C | 4 1/2" L



37032-26
5 1/16" C/C | 5 1/16" L



37033-26
6 5/16" C/C | 7 1/16" L

BRONX

AVAILABLE FINISHES



36557-GM
3" OR 3 3/4" C/C | 4 11/16" L



36558-GM
5 1/16" C/C | 5 15/16" L



36559-GM
6 5/16" C/C | 7 3/16" L



36562-GM
8" C/C | 8 7/8" L



36560-GM
10 1/16" C/C | 11" L



36561-GM
12 5/8" C/C | 13 1/2" L



54070-GM
12" C/C | 13" L
APPLIANCE PULL



54071-GM
18" C/C | 19" L
APPLIANCE PULL



54072-GM
24" C/C | 25" L
APPLIANCE PULL



36556-GM
2 5/8" C/C | 5/8" L



36554-GM
1 1/4" C/C | 1 5/16" L

ITEM	MSRP
36554	\$17.78
36556	\$15.24
36557	\$17.78
36558	\$21.59
36559	\$25.40
36560	\$53.35
36561	\$69.87
36562	\$40.65
54070	\$139.75
54071	\$202.01
54072	\$245.21



CALATHEA

AVAILABLE FINISHES



ITEM	MSRP
10132	\$21.85
100396	\$23.31
1003128	\$26.22
1003160	\$29.14



100396-BCR
3 3/4" C/C | 4 7/16" L



1003128-BCR
5 1/16" C/C | 5 11/16" L



1003160-BCR
6 5/16" C/C | 7" L



10132-BCR
1 1/4" L | 1 1/8" PROJ

CARRIONE

AVAILABLE FINISHES



ITEM	MSRP
36638	\$31.75
36639	\$31.75
36647	\$20.14
36648	\$37.77
36649	\$44.06
36650	\$50.36
36663	\$67.33
36664	\$80.04



36639-MWBBZ
3" C/C | 5 7/16" L



36648-MWBBZ
3 3/4" C/C | 6 5/16" L



36649-MWBBZ
5 1/16" C/C | 7 1/2" L



36650-MWBBZ
6 5/16" C/C | 8 3/4" L



36663-MWBBZ
8" C/C | 10 7/16" L



36664-MWBBZ
10 1/16" C/C | 12 1/2" L



36647-MWBBZ
2 1/2" L | 1 9/16" PROJ



36638-MWBBZ
1 5/8" L | 1 5/16" PROJ

AVAILABLE FINISHES



37365-ORB
76MM C/C | 5 1/8" L



36873-ORB
96MM C/C | 5 7/8" L



36874-ORB
128MM C/C | 7 1/8" L



36875-ORB
160MM C/C | 8 7/16" L



36876-ORB
192MM C/C | 9 11/16" L



36959-ORB
224MM C/C | 10 15/16" L



36877-ORB
256MM C/C | 12 3/16" L



36960-ORB
12" C/C | 16" L
APPLIANCE PULL



36961-ORB
18" C/C | 22" L
APPLIANCE PULL



36872-ORB
1 1/4" DIA | 1 3/16" PROJ

ITEM	MSRP
36872	\$12.58
36873	\$15.10
36874	\$20.14
36875	\$22.66
36876	\$25.17
36877	\$30.21
36959	\$27.69
36960	\$139.75
36961	\$202.01
37365	\$13.96



CANDLER

AVAILABLE FINISHES



ITEM	MSRP
29340	\$7.04
29340	\$6.52
29349	\$8.45
29350	\$21.39
29351	\$25.40
29352	\$30.21
29353	\$38.10
29355	\$9.86
29355	\$9.13
29355	\$8.15
29363	\$11.28
29364	\$11.32
29365	\$69.95
29366	\$100.73
29367	\$163.70
29368	\$9.86



29349-BBZ
3" C/C | 4 3/8" L



29355-BBZ
96MM C/C | 5 1/8" L



29363-BBZ
128MM C/C | 6 1/2" L



29364-BBZ
160MM C/C | 8" L



29350-BBZ
192MM C/C | 9 1/2" L



29351-BBZ
224MM C/C | 10 7/8" L



29352-BBZ
256MM C/C | 12 3/16" L



29353-BBZ
320MM C/C | 14 13/16" L



29366-BBZ
12" C/C | 14 5/8" L
APPLIANCE PULL



29367-BBZ
18" C/C | 20 3/4" L
APPLIANCE PULL



29340-BBZ
1 1/4" L | 1 1/8" PROJ



29368-BBZ
1 1/2" L | 1 1/4" PROJ

AVAILABLE FINISHES



CENTRAL

ITEM	MSRP
37160	\$7.55
37161	\$8.63
37162	\$9.71
37163	\$10.79



37160-CZ
3" C/C | 4 15/16" L



37161-CZ
3 3/4" C/C | 5 3/4" L



37162-CZ
5 1/16" C/C | 7" L



371613-CZ
6 5/16" C/C | 8 1/4" L



AVAILABLE FINISHES



CHALICE

ITEM	MSRP
37022	\$5.39



37022-ORB
1 1/4" DIA | 1 1/8" PROJ



AVAILABLE FINISHES

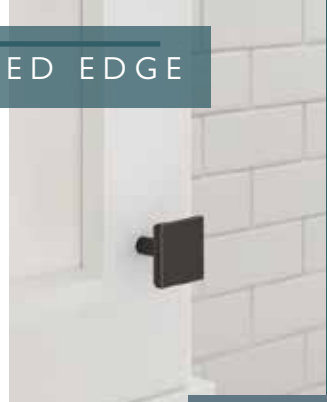


CHAMFERED EDGE

ITEM	MSRP
37028	\$2.69



37028-G10
1 1/16" DIA | 1" PROJ



CITYSCAPE

AVAILABLE FINISHES



37130-26
3" C/C | 4 1/16" L



37131-26
3 3/4" C/C | 4 7/8" L



37132-26
5 1/16" C/C | 6 1/8" L



37133-26
6 5/16" C/C | 7 3/8" L



37134-26
7 9/16" C/C | 8 5/8" L



37135-26
10 1/16" C/C | 11 9/16" L

ITEM	MSRP
37130	\$5.39
37131	\$6.47
37132	\$7.55
37133	\$8.63
37134	\$10.79
37135	\$16.19

COMPOSITE

AVAILABLE FINISHES



37140-MB
3" C/C | 3 5/8" L



37141-MB
3 3/4" C/C | 4 7/16" L



37142-MB
5 1/16" C/C | 5 11/16" L



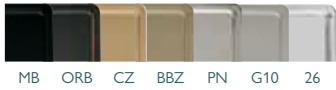
37143-MB
6 5/16" C/C | 6 15/16" L



37144-MB
7 9/16" C/C | 8 3/16" L

ITEM	MSRP
37140	\$7.01
37141	\$8.09
37142	\$9.17
37143	\$10.25
37144	\$11.33

AVAILABLE FINISHES



37660-MB
1 1/8" L | 1 1/2" PROJ

ITEM	MSRP
37660	\$10.58
37661	\$11.75
37662	\$14.11
37663	\$16.46
37664	\$18.81
37665	\$21.16
37666	\$25.87
37667	\$35.28
37668	\$47.05
37669	\$147.05
37670	\$187.05



37661-MB
3" C/C | 3 5/8" L



37662-MB
3 3/4" C/C | 4 3/8" L



37663-MB
5 1/16" C/C | 5 5/8" L



37664-MB
6 5/16" C/C | 6 7/8" L



37665-MB
7 9/16" C/C | 8 3/16" L



37666-MB
8 13/16" C/C | 9 1/2" L



37667-MB
10 1/16" C/C | 10 3/4" L



37668-MB
12 5/8" C/C | 13 1/4" L



37669-MB
12" C/C | 13" L
APPLIANCE PULL

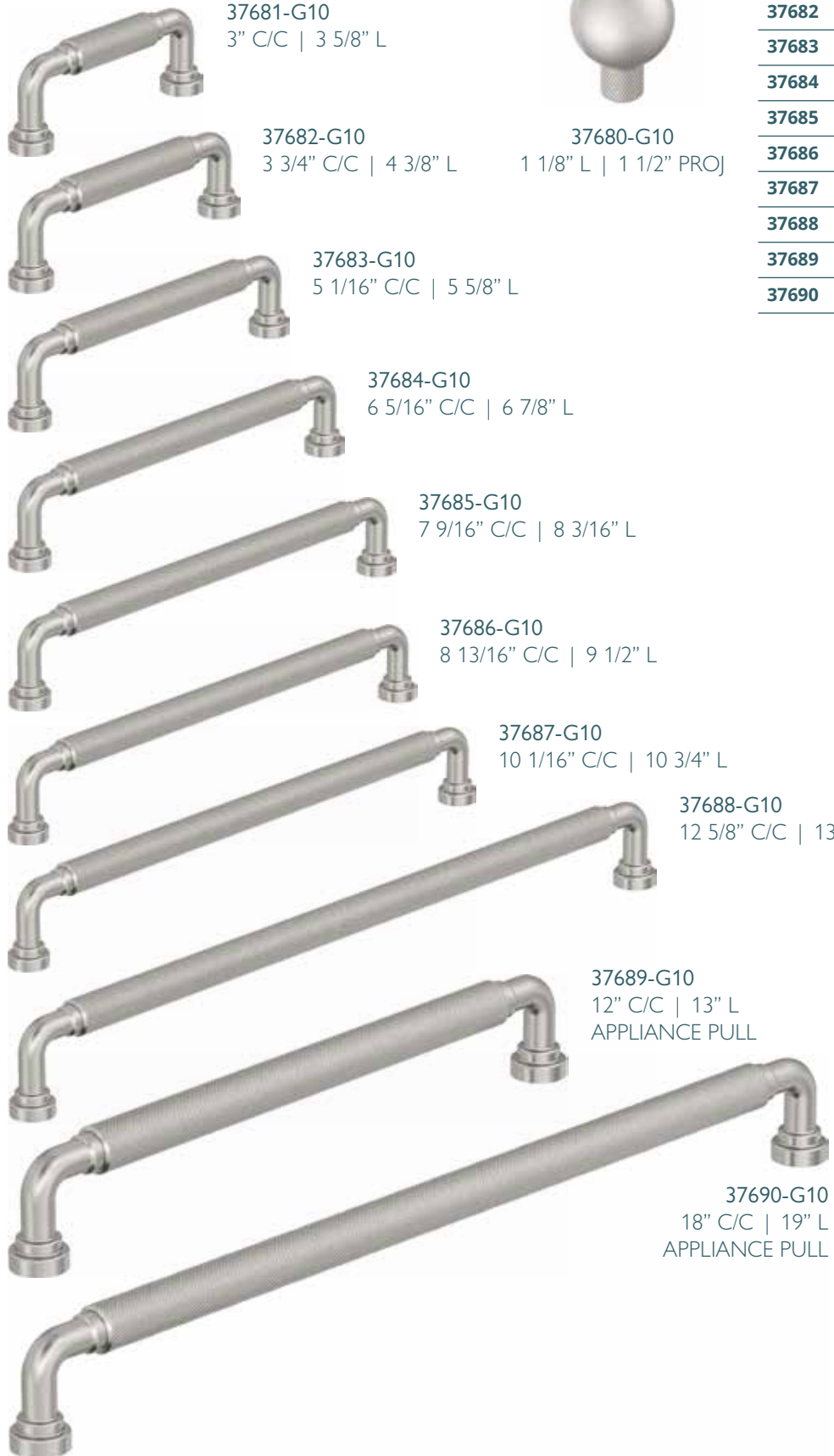


37670-MB
18" C/C | 19" L
APPLIANCE PULL



COLLET

AVAILABLE FINISHES



37681-G10
3" C/C | 3 5/8" L

37682-G10
3 3/4" C/C | 4 3/8" L

37683-G10
5 1/16" C/C | 5 5/8" L

37684-G10
6 5/16" C/C | 6 7/8" L

37685-G10
7 9/16" C/C | 8 3/16" L

37686-G10
8 13/16" C/C | 9 1/2" L

37687-G10
10 1/16" C/C | 10 3/4" L

37688-G10
12 5/8" C/C | 13 1/4" L

37689-G10
12" C/C | 13" L
APPLIANCE PULL

37690-G10
18" C/C | 19" L
APPLIANCE PULL



37680-G10
1 1/8" L | 1 1/2" PROJ

ITEM	MSRP
37680	\$11.75
37681	\$12.93
37682	\$15.28
37683	\$17.64
37684	\$19.99
37685	\$23.52
37686	\$29.40
37687	\$41.16
37688	\$52.93
37689	\$152.93
37690	\$211.75

AVAILABLE FINISHES



37700-ORB
1 1/8" L | 1 1/2" PROJ

ITEM	MSRP
37700	\$11.75
37701	\$12.93
37702	\$15.28
37703	\$17.64
37704	\$19.99
37705	\$23.52
37706	\$29.40
37707	\$41.16
37708	\$52.93
37709	\$152.93
37710	\$211.75



37701-ORB
3" C/C | 3 5/8" L



37702-ORB
3 3/4" C/C | 4 3/8" L



37703-ORB
5 1/16" C/C | 5 5/8" L



37704-ORB
6 5/16" C/C | 6 7/8" L



37705-ORB
7 9/16" C/C | 8 3/16" L



37706-ORB
8 13/16" C/C | 9 1/2" L



37707-ORB
10 1/16" C/C | 10 3/4" L



37708-ORB
12 5/8" C/C | 13 1/4" L



37709-ORB
12" C/C | 13" L
APPLIANCE PULL



37710-ORB
18" C/C | 19" L
APPLIANCE PULL

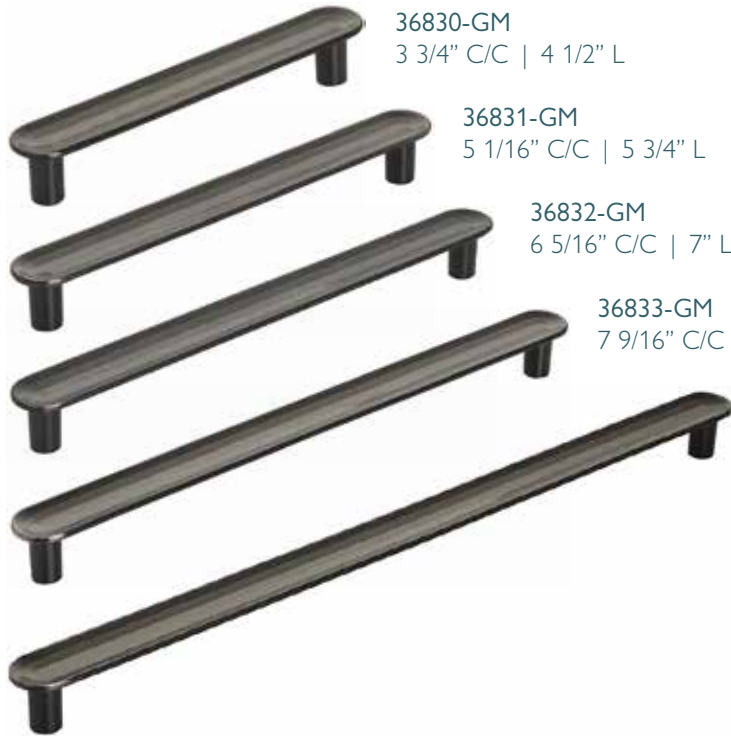


CONCENTRIC

AVAILABLE FINISHES



ITEM	MSRP
36810	\$17.30
36811	\$17.30
36812	\$18.88
36813	\$23.60
36814	\$28.32
36815	\$33.04
36816	\$39.33
36830	\$18.88
36831	\$23.60
36832	\$28.32
36833	\$33.04
36834	\$39.33



36830-GM
3 3/4" C/C | 4 1/2" L

36831-GM
5 1/16" C/C | 5 3/4" L

36832-GM
6 5/16" C/C | 7" L

36833-GM
7 9/16" C/C | 8 1/4" L

36834-GM
10 1/16" C/C | 10 3/4" L



36810-GM
1 9/16" DIA | 1 9/16" L



36812-PN
3 3/4" CC | 4 3/16" L

36813-PN
5 1/16" CC | 5 7/16" L

36814-PN
6 5/16" CC | 6 11/16" L

36815-PN
7 9/16" CC | 7 15/16" L

36816-PN
10 1/16" CC | 10 7/16" L



36811-PN
1 1/4" CC | 1 11/16" L

CRAWFORD

AVAILABLE FINISHES



ITEM	MSRP
36593	\$15.10
36594	\$17.61
36595	\$18.88
36613	\$12.58



36593-BBZ
3 3/4" C/C | 4 11/16" L



36594-BBZ
5 1/16" C/C | 6 1/16" L



36595-BBZ
6 5/16" C/C | 7 3/8" L



36613-BBZ
1 3/8" DIA | 1 3/16" PROJ



CUP PULLS



9365-ORB
64MM C/C | 4 1/8" L



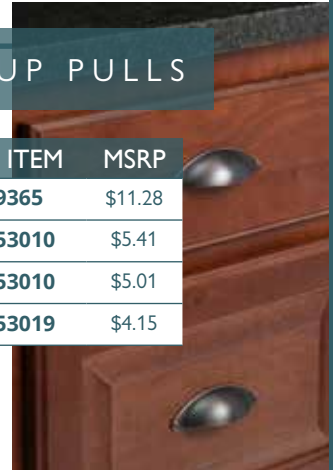
53019-G10
2 1/2" C/C | 3 1/8" L



53010-G10
3" C/C | 3 3/8" L



ITEM	MSRP
9365	\$11.28
53010	\$5.41
53010	\$5.01
53019	\$4.15



AVAILABLE FINISHES



ITEM	MSRP
37210	\$5.39
37211	\$6.47
37212	\$8.63
37213	\$9.71



37210-G10
3" C/C | 5 7/8" L



37211-G10
3 3/4" C/C | 6 11/16" L

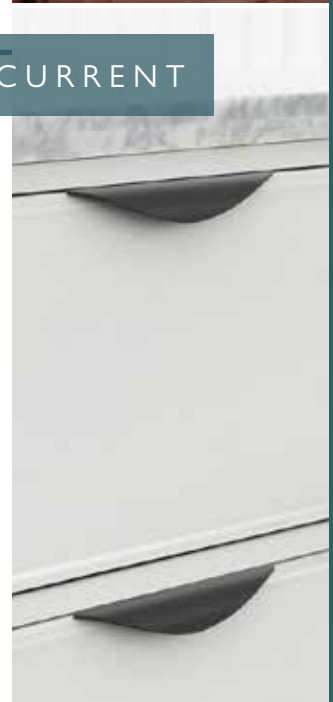


37212-G10
5 1/16" C/C | 7 15/16" L



37213-G10
6 5/16" C/C | 9 3/16" L

CURRENT



CYPRUS

AVAILABLE FINISHES



ITEM	MSRP
9362	\$13.85
26201	\$7.55
26203	\$11.32
26204	\$16.36
26205	\$116.59
26206	\$138.51
26207	\$201.47
26208	\$19.43
26209	\$26.99
26210	\$34.55



26201-BBZ
3" C/C | 5 1/4" L



26203-BBZ
96MM C/C | 6 9/16" L



9362-BBZ
128MM C/C | 7 3/16" L



26204-BBZ
160MM C/C | 9 1/8" L



26208-BBZ
192MM C/C | 10 7/8" L



26209-BBZ
224MM C/C | 12 1/8" L



26210-BBZ
256MM C/C | 13 7/16" L



26206-BBZ
12" C/C | 16" L
APPLIANCE PULL



26207-BBZ
18" C/C | 22" L
APPLIANCE PULL

DAVENPORT

AVAILABLE FINISHES



36600-ORB
3" C/C | 4 1/2" L

36605-ORB
3 3/4" C/C | 5 5/16" L

36606-ORB
5 1/16" C/C | 6 9/16" L

36607-ORB
6 5/16" C/C | 7 13/16" L

36618-ORB
7 9/16" C/C | 9 1/16" L

36619-ORB
8 13/16" C/C | 10 5/16" L

36620-ORB
10 1/16" C/C | 11 9/16" L

36698-ORB
12 5/8" C/C | 14 1/16" L

36697-ORB
12" C/C | 14 9/16" L
APPLIANCE PULL

36699-ORB
18" C/C | 20 1/2" L
APPLIANCE PULL



36601-ORB
1 1/4" L | 1 3/16" PROJ



36602-ORB
1 1/2" L | 1 3/8" PROJ

ITEM	MSRP
36600	\$15.10
36601	\$12.58
36602	\$15.10
36605	\$16.36
36606	\$17.61
36607	\$18.88
36618	\$25.40
36619	\$31.75
36620	\$38.10
36697	\$139.75
36698	\$50.81
36699	\$202.01

DESTINE

AVAILABLE FINISHES



ITEM	MSRP
36857	\$12.58
36858	\$15.10
36859	\$20.14
36860	\$22.66
36861	\$25.17
36901	\$24.83
36902	\$38.10
36903	\$50.81
37370	\$13.96
54035	\$139.75
54036	\$202.01

37370-G10
76MM C/C | 4 1/8" L

36857-G10
1 3/8" L | 1" PROJ

36858-G10
96MM C/C | 4 15/16" L

36859-G10
128MM C/C | 6 3/16" L

36860-G10
160MM C/C | 7 7/16" L

36901-G10
192MM C/C | 8 11/16" L

36902-G10
256MM C/C | 11 1/2" L

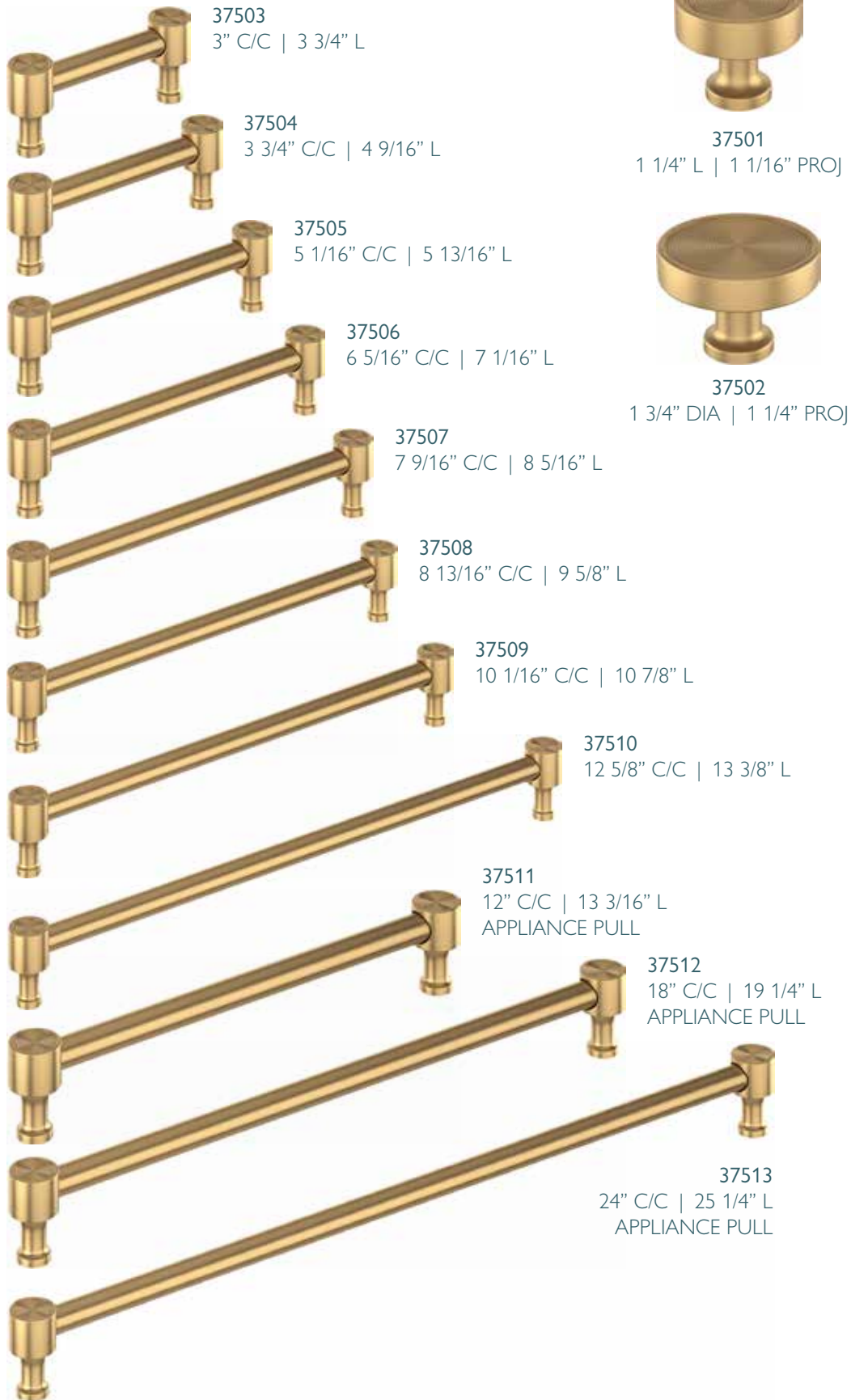
36903-G10
320MM C/C | 14" L

36861-G10
224MM C/C | 9 15/16" L

54035-G10
12" C/C | 14 15/16" L
APPLIANCE PULL

54036-G10
18" C/C | 20 15/16" L
APPLIANCE PULL

AVAILABLE FINISHES



37503
3" C/C | 3 3/4" L

37504
3 3/4" C/C | 4 9/16" L

37505
5 1/16" C/C | 5 13/16" L

37506
6 5/16" C/C | 7 1/16" L

37507
7 9/16" C/C | 8 5/16" L

37508
8 13/16" C/C | 9 5/8" L

37509
10 1/16" C/C | 10 7/8" L

37510
12 5/8" C/C | 13 3/8" L

37511
12" C/C | 13 3/16" L
APPLIANCE PULL

37512
18" C/C | 19 1/4" L
APPLIANCE PULL

37513
24" C/C | 25 1/4" L
APPLIANCE PULL

37501
1 1/4" L | 1 1/16" PROJ

37502
1 3/4" DIA | 1 1/4" PROJ

ITEM	MSRP
37501	\$23.52
37502	\$25.87
37503	\$23.52
37504	\$29.40
37505	\$35.28
37506	\$41.16
37507	\$52.93
37508	\$64.69
37509	\$82.34
37510	\$99.99
37511	\$235.28
37512	\$294.11
37513	\$352.93



ENLIVITY

AVAILABLE FINISHES



37721-PN
3" C/C | 3 3/4" L



37722-PN
3 3/4" C/C | 4 9/16" L



37723-PN
5 1/16" C/C | 5 13/16" L



37724-PN
6 5/16" C/C | 7 1/8" L



37725-PN
7 9/16" C/C | 8 3/8" L



37726-PN
8 13/16" C/C | 9 11/16" L



37727-PN
10 1/16" C/C | 10 15/16" L



37728-PN
12 5/8" C/C | 13 7/16" L



37729-PN
12" C/C | 13 3/16" L
APPLIANCE PULL



37730-PN
18" C/C | 19 3/16" L
APPLIANCE PULL



37720-PN
1" L | 1 1/4" PROJ

ITEM	MSRP
37720	\$11.75
37721	\$12.93
37722	\$14.11
37723	\$15.28
37724	\$19.99
37725	\$24.69
37726	\$31.75
37727	\$41.16
37728	\$52.93
37729	\$147.05
37730	\$187.05

EDGE PULLS

AVAILABLE FINISHES



ITEM	MSRP
36573	\$4.36
36574	\$5.59
36575	\$6.85

36573-ORB
3" C/C | 3 7/8" L

36574-ORB
96MM C/C | 4 9/16" L

36575-ORB
128MM C/C | 5 13/16" L



AVAILABLE FINISHES



ITEM	MSRP
53005	\$3.77

53005-CZ
1 1/4" DIA | 1 1/8" PROJ



EDONA



AVAILABLE FINISHES



ITEM	MSRP
37021	\$5.93

37021-CZ
1 3/16" L | 1 3/16" PROJ



ELAVA



AVAILABLE FINISHES



ITEM	MSRP
36907	\$2.38

36907-G10
1 1/4" DIA | 1 1/8" PROJ



ERA



ESQUIRE

AVAILABLE FINISHES



ITEM	MSRP
36554	\$18.32
36556	\$16.91
36557	\$18.32
36558	\$19.73
36559	\$21.15
36560	\$31.02
36561	\$38.06
36562	\$29.58
54040	\$139.75
54041	\$202.01
54042	\$245.21



36556-G10ORB
2 5/8" L | 1 1/2" PROJ

36554-G10ORB
1 1/4" L | 1 5/16" PROJ



36557-G10ORB
3" C/C | 4 11/16" L



36558-G10ORB
128MM C/C | 5 15/16" L



36559-G10ORB
160MM C/C | 7 3/16" L



36562-G10ORB
203MM C/C | 8 7/8" L



36560-G10ORB
256 MM C/C | 11" L



36561-G10ORB
320MM C/C | 13 1/2" L



54040-G10ORB
12" C/C | 13" L



54041-G10ORB
18" C/C | 19" L



54042-G10ORB
24" C/C | 25" L

EVERETT

AVAILABLE FINISHES



37103-G10
76MM C/C | 4 9/16" L



37104-G10
96MM C/C | 5 5/16" L



37105-G10
128MM C/C | 6 3/4" L



37106-G10
160MM C/C | 8 1/16" L



37107-G10
192MM C/C | 9 7/16" L



37108-G10
224MM C/C | 11" L



37109-G10
256MM C/C | 12 1/4" L



37110-G10
305MM C/C | 14 11/16" L



37111-G10
457MM C/C | 20 11/16" L



37100-G10
1 3/4" L | 1 1/4" PROJ



37101-G10
1 1/4" DIA | 1 3/16" PROJ



37102-G10
1 5/16" DIA | 1 1/4" PROJ


ITEM	MSRP
37100	\$12.69
37101	\$12.69
37102	\$12.69
37103	\$15.24
37104	\$17.78
37105	\$20.31
37106	\$22.85
37107	\$25.40
37108	\$31.75
37109	\$38.10
37110	\$165.16
37111	\$228.69


ESSENTIAL'Z STAINLESS STEEL





AVAILABLE FINISH




- 

19001-SS
3" C/C | 3 5/8" L
- 

19002-SS
96MM C/C | 4 9/16" L
- 

19003-SS
128MM C/C | 5 15/16" L
- 

19004-SS
160MM C/C | 7 3/8" L
- 

19005-SS
192MM C/C | 8 7/8" L

ITEM	MSRP
19001	\$9.86
19002	\$11.28
19003	\$14.09
19004	\$15.51
19005	\$22.55
19008	\$21.15
26200	\$25.38



19008-SS
1 1/4" DIA
1 1/8" PROJ



26200-SS
32MM DIA
1" PROJ

EVOLVE

AVAILABLE FINISHES



- 

37070-ORB
3" C/C | 3 5/8" L
- 

37071-ORB
3 3/4" C/C | 4 3/8" L
- 

37072-ORB
5 1/16" C/C | 5 11/16" L
- 

37073-ORB
6 5/16" C/C | 6 15/16" L

ITEM	MSRP
37070	\$6.47
37071	\$7.55
37072	\$8.63
37073	\$9.71

AVAILABLE FINISHES



36880-CZ
1 1/2" DIA | 1 3/16" PROJ

ITEM	MSRP
36880	\$11.32
36881	\$16.36
36882	\$21.39
36883	\$23.91
36884	\$28.95
36922	\$25.40
36923	\$38.10
36924	\$139.75
36925	\$50.81
36926	\$202.01
37375	\$15.24

37375-CZ
76MM C/C | 4 1/2" L

36881-CZ
96MM C/C | 5 1/4" L

36882-CZ
128MM C/C | 6" L

36883-CZ
160MM C/C | 7 1/4" L

36922-CZ
192MM C/C | 9 1/16" L

36884-CZ
224MM C/C | 9 13/16" L

36923-CZ
256MM C/C | 11 5/8" L

36925-CZ
320MM C/C | 14 3/16" L

36924-CZ
12"C/C | 13 3/4" L
APPLIANCE PULL

36926-CZ
18"C/C | 19 11/16" L
APPLIANCE PULL



EXTENSITY

AVAILABLE FINISHES



29370-G10
1 3/16" L | 1 1/16" PROJ

ITEM	MSRP
29370	\$5.02
29379	\$6.29
29385	\$7.55
29393	\$8.63
29394	\$9.13
29394	\$10.79
29398	\$10.07



29379-G10
3" C/C | 4 1/8" L



29385-G10
96MM C/C | 5" L



29393-G10
128MM C/C | 6 1/4" L



29394-G10
160MM C/C | 7 1/2" L

EXTENT

AVAILABLE FINISHES



36750BCR
4 3/16" C/C | 5 13/16" L



36751-BCR
4 9/16" C/C | 7 3/4" L



36752-BCR
6 9/16" C/C | 9 3/4" L



36753-BCR
8 9/16" C/C | 11 11/16" L

ITEM	MSRP
36750	\$21.56
36751	\$24.48
36752	\$26.81
36753	\$31.47

AVAILABLE FINISHES



37380-G10
76MM C/C | 3 5/8" L



36781-G10
96MM C/C | 4 5/16" L



36782-G10
128MM C/C | 5 9/16" L



37381-G10
160MM C/C | 6 13/16" L



36783-G10
192MM C/C | 8 1/8" L



36963-G10
224MM C/C | 9 1/2" L



36964-G10
256MM C/C | 10 3/4" L



36966-G10
320MM C/C | 13 1/4" L



36965-G10
12" C/C | 13 1/8" L
APPLIANCE PULL



36967-G10
18" C/C | 19 1/16" L
APPLIANCE PULL



36780-G10
1 1/4" DIA | 1 1/16" PROJ

FACTOR

ITEM	MSRP
36780	\$8.80
36781	\$8.80
36782	\$13.85
36783	\$18.88
36963	\$27.69
36964	\$38.10
36965	\$139.75
36966	\$50.81
36967	\$202.01
37380	\$7.61
37381	\$16.50

FAIRCREST

AVAILABLE FINISHES



37462-MB
3" C/C | 3 7/8" L



37463-MB
3 3/4" C/C | 4 5/8" L



37464-MB
5 1/16" C/C | 5 7/8" L



37465-MB
6 5/16" C/C | 7 1/8" L



37466-MB
7 9/16" C/C | 8 7/16" L



37467-MB
8 13/16" C/C | 9 11/16" L



37468-MB
10 1/16" C/C | 10 15/16" L



37469-MB
12 5/8" C/C | 13 7/16" L



37470-MB
12" C/C | 13 1/4" L
APPLIANCE PULL



37471-MB
18" C/C | 19 1/4" L
APPLIANCE PULL



37460-MB
1 1/4" L | 1 1/16" PROJ



37461-MB
2" L | 1 5/16" PROJ

ITEM	MSRP
37460	\$11.75
37461	\$11.75
37462	\$14.11
37463	\$15.28
37464	\$17.64
37465	\$21.16
37466	\$25.87
37467	\$31.75
37468	\$37.64
37469	\$49.40
37470	\$147.05
37471	\$187.05



AVAILABLE FINISHES



37742-BBZ
3" C/C | 3 7/8" L



37743-BBZ
3 3/4" C/C | 4 5/8" L



37744-BBZ
5 1/16" C/C | 5 7/8" L



37745-BBZ
6 5/16" C/C | 7 1/8" L



37746-BBZ
7 9/16" C/C | 8 7/16" L



37747-BBZ
8 13/16" C/C | 9 11/16" L



37748-BBZ
10 1/16" C/C | 10 15/16" L



37749-BBZ
12 5/8" C/C | 13 7/16" L



37750-BBZ
12" C/C | 13 1/4" L
APPLIANCE PULL



37751-BBZ
18" C/C | 19 1/4" L
APPLIANCE PULL



37740-BBZ
1 1/4" L | 1 1/16" PROJ

ITEM	MSRP
37740	\$12.93
37741	\$12.93
37742	\$15.28
37743	\$16.46
37744	\$18.81
37745	\$22.34
37746	\$27.05
37747	\$32.93
37748	\$41.16
37749	\$52.93
37750	\$152.93
37751	\$211.75

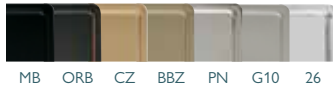


37741-BBZ
2" L | 1 5/16" PROJ



FAREWIND

AVAILABLE FINISHES



37802-PN
3" C/C | 3 7/8" L



37803-PN
3 3/4" C/C | 4 5/8" L



37804-PN
5 1/16" C/C | 5 7/8" L



37805-PN
6 5/16" C/C | 7 1/8" L



37806-PN
7 9/16" C/C | 8 7/16" L



37807-PN
8 13/16" C/C | 9 11/16" L



37808-PN
10 1/16" C/C | 10 15/16" L



37809-PN
12 5/8" C/C | 13 7/16" L



37810-PN
12" C/C | 13 1/4" L
APPLIANCE PULL



37811-PN
18" C/C | 19 1/4" L
APPLIANCE PULL



37800-PN
1 1/4" L | 1 1/16" PROJ



37801-PN
2" L | 1 5/16" PROJ

ITEM	MSRP
37800	\$12.93
37801	\$12.93
37802	\$15.28
37803	\$16.46
37804	\$18.81
37805	\$22.34
37806	\$27.05
37807	\$32.93
37808	\$41.16
37809	\$52.93
37810	\$152.93
37811	\$211.75

AVAILABLE FINISHES



ITEM	MSRP
37535	\$29.40
37536	\$35.28
37537	\$35.28
37538	\$41.16
37539	\$47.05
37540	\$58.81
37541	\$70.58
37542	\$88.22
37543	\$105.87
37544	\$294.11
37545	\$352.93
37546	\$411.75

37537-CZ
3 3/4" C/C | 4 5/8" L

37535-CZ
1 1/4" L | 1 3/16" PROJ

37538-CZ
5 1/16" C/C | 5 7/8" L

37539-CZ
6 5/16" C/C | 7 1/8" L

37540-CZ
7 9/16" C/C | 8 7/16" L

37541-CZ
8 13/16" C/C | 9 13/16" L



37536-CZ
1 1/2" DIA | 1 3/16" PROJ

37542-CZ
10 1/16" C/C | 11 1/16" L

37543-CZ
12 5/8" C/C | 13 9/16" L

37544-CZ
12" C/C | 13 1/4" L
APPLIANCE PULL

37545-CZ
18" C/C | 19 1/4" L
APPLIANCE PULL

37546-CZ
24" C/C | 25 1/4" L
APPLIANCE PULL



FAIRLANE

AVAILABLE FINISHES



ITEM	MSRP
37535	\$35.28
37536	\$41.16
37537	\$41.16
37538	\$47.05
37539	\$52.93
37540	\$64.69
37541	\$76.46
37542	\$94.11
37543	\$111.75
37544	\$352.93
37545	\$411.75
37546	\$470.58



37537-CNLG10
3 3/4" C/C | 4 5/8" L



37538-CNLG10
5 1/16" C/C | 5 7/8" L



37539-CNLG10
6 5/16" C/C | 7 1/8" L



37540-CNLG10
7 9/16" C/C | 8 7/16" L



37541-CNLG10
8 13/16" C/C | 9 13/16" L



37542-CNLG10
10 1/16" C/C | 11 1/16" L



37543-CNLG10
12 5/8" C/C | 13 9/16" L



37544-CNLG10
12" C/C | 13 1/4" L
APPLIANCE PULL



37545-CNLG10
18" C/C | 19 1/4" L
APPLIANCE PULL



37546-CNLG10
24" C/C | 25 1/4" L
APPLIANCE PULL



37535-CNLG10
1 1/4" L | 1 3/16" PROJ



37536-CNLG10
1 1/2" DIA | 1 3/16" PROJ

AVAILABLE FINISHES



173-ORB
3" C/C | 4 5/8" L



37220-ORB
3 3/4" C/C | 5 3/8" L



37221-ORB
5 1/16" C/C | 6 5/8" L



37222-ORB
6 5/16" C/C | 7 29/32" L

ITEM	MSRP
173	\$3.77
3722	\$9.71
37220	\$6.47
37221	\$7.55
37222	\$9.71

FAIRFIELD



AVAILABLE FINISHES



37050-26
3" C/C | 3 7/16" L



37051-26
3 3/4" C/C | 4 1/4" L



37052-26
5 1/16" C/C | 5 1/2" L



37053-26
6 5/16" C/C | 6 13/16" L

ITEM	MSRP
37050	\$5.93
37051	\$7.01
37052	\$8.09
37053	\$9.17

FRANKLIN



GARFIELD

AVAILABLE FINISHES



37020-MB
1 3/16" DIA | 1" PROJ

ITEM	MSRP
37020	\$4.31

GLACIO

AVAILABLE FINISHES



36651-CBBZ
1 3/4" L | 1 3/16" PROJ



36652-CBBZ
1 3/8" L | 1" PROJ



36653-CBBZ
1 3/8" L | 5/16" PROJ



36977-CBBZ
2 1/8" L | 1 1/2" PROJ



36975-CBBZ
1 3/8" L | 1 5/16" PROJ



36976-CBBZ
1 1/2" L | 1 5/16" PROJ

ITEM	MSRP
36651	\$15.49
36652	\$15.49
36653	\$15.49
36654	\$35.21
36655	\$42.26
36655	\$39.13
36656	\$49.30
36659	\$29.61
36661	\$63.51
36975	\$25.40
36976	\$25.40
36977	\$25.40



36659-CBBZ
3" C/C | 4 9/16" L



36654-CBBZ
3 3/4" C/C | 5 5/16" L



36655-CBBZ
5 1/16" C/C | 6 9/16" L



36656-CBBZ
6 5/16" C/C | 7 7/8" L



36661-CBBZ
8" C/C | 9 9/16" L

AVAILABLE FINISHES



GRACE REVITALIZE



36628-BBZ
1 3/8" DIA | 1 3/16" PROJ



36629-BBZ
1 3/4" DIA | 1 3/8" PROJ

ITEM	MSRP
36628	\$10.44
36629	\$13.05



AVAILABLE FINISHES



GRAIL



37330-CZ
1 5/16" DIA | 1 5/16" PROJ

ITEM	MSRP
37330	\$8.09



AVAILABLE FINISHES



GRANBY



53013-ORB
3" C/C | 3 3/8" L



55243-ORB
96MM C/C | 4 1/5" L



55244-ORB
128MM C/C | 5 1/2" L

55245-ORB
160MM C/C | 6 7/8" L

ITEM	MSRP
53013	\$3.77
55243	\$6.29
55244	\$7.55
55245	\$11.32



AVAILABLE FINISHES



HATFIELD



29113-ORB
1 1/4" DIA | 7/8" PROJ

ITEM	MSRP
29113	\$2.51



HIGHLAND RIDGE

AVAILABLE FINISHES



ITEM	MSRP
55311	\$10.48
55312	\$11.65
55315	\$23.31
55316	\$13.85
55317	\$15.10
55318	\$14.60
55319	\$15.15
55321	\$16.31
55323	\$176.29
55324	\$226.66
55327	\$25.40
55328	\$31.75
55329	\$38.10



55311-PN
35MM L | 1 1/7" PROJ



55312-PN
28MM DIA | 1 1/5" PROJ



55315-PN
1 3/8" L
1 5/16" PROJ
ONLY AVAILABLE IN: DOB, PN



55316-PN
3" C/C | 4 1/3" L



55317-PN
96MM C/C | 5 1/6" L



55319-PN
128MM C/C | 6 2/3" L



55321-PN
160MM C/C | 8 4/7" L



55327-PN
192MM C/C | 9 13/16" L



55328-PN
224MM C/C | 11 1/4" L



55329-PN
256MM C/C | 12 5/8" L



55323-PN
12" C/C | 15 1/3" L
APPLIANCE PULL



55324-PN
18" C/C | 20 7/8" L
APPLIANCE PULL

AVAILABLE FINISHES



37060-MB
3" C/C | 3 3/4" L



37061-MB
3 3/4" C/C | 4 9/16" L



37062-MB
5 1/16" C/C | 5 13/16" L



37063-MB
6 5/16" C/C | 7 1/16" L

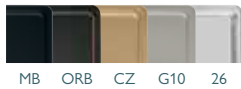


ITEM	MSRP
37060	\$6.47
37061	\$7.55
37062	\$8.63
37063	\$9.71

HYBRIDIZE



AVAILABLE FINISHES



37120-G10
3" C/C | 3 15/16" L



37121-G10
3 3/4" C/C | 4 11/16" L



37122-G10
5 1/16" C/C | 6" L



37123-G10
6 5/16" C/C | 7 1/4" L



ITEM	MSRP
37120	\$6.47
37121	\$7.55
37122	\$8.63
37123	\$9.71

INCISIVE



HAVEN

AVAILABLE FINISHES



ITEM	MSRP
37180	\$8.09



37180-26
3" & 3 3/4" C/C | 5 1/32" L

INSPIRATIONS

AVAILABLE FINISHES



ITEM MSRP

1586	\$6.99
1586-2	\$13.34
1587	\$8.15
1588	\$10.07
1589	\$11.87
1590	\$6.99
1592	\$13.34
1593	\$6.99



1590-ORB
3" C/C | 5 5/8" L



1587-ORB
96MM C/C | 6 5/16" L



1588-ORB
128MM C/C | 7 1/2" L



1589-ORB
160MM C/C | 8 5/8" L



1592-ORB
3" C/C | 4 1/4" L



1586-ORB
1 3/8" DIA | 1" PROJ



1586-2-ORB
1 3/4" DIA | 1 1/4" PROJ



1593-CZ
1 7/8" L | 1 1/16" PROJ



INTERSECT

AVAILABLE FINISHES



ITEM	MSRP
37027	\$5.39



37027-CZ
1 15/16" L | 1 3/8" PROJ

AVAILABLE FINISHES



21171-FB
3" C/C | 4 1/2" L



21172-FB
3 3/4" C/C | 5 5/16" L



21173-FB
5 1/16" C/C | 6 9/16" L



21174-FB
6 5/16" C/C | 7 13/16" L

ITEM	MSRP
21171	\$4.31
21172	\$6.47
21173	\$7.55
21174	\$8.63

INTERTWINE



AVAILABLE FINISHES



36822-MB
3 3/4" C/C | 4 15/16" L



36823-MB
5 1/16" C/C | 6 3/16" L



36824-MB
6 5/16" C/C | 7 7/16" L



36825-MB
7 9/16" C/C | 8 3/4" L



36826-MB
10 1/16" C/C | 11 1/4" L



36820-MB
1 3/16" DIA | 1" PROJ

ITEM	MSRP
36820	\$18.88
36821	\$18.88
36822	\$25.17
36823	\$31.47
36824	\$37.77
36825	\$47.21
36826	\$62.95



36821-MB
1 3/16" DIA | 1" PROJ

KAMARI



KANE

AVAILABLE FINISHES



ITEM	MSRP
53700	\$7.55
53701	\$7.55
53702	\$8.80
53702	\$8.15
53801	\$10.07
53801	\$9.32
53802	\$10.07
53803	\$11.32
53804	\$116.59
53805	\$138.51
53806	\$201.47
53808	\$25.40
53809	\$31.75
53810	\$38.10
53811	\$50.81
538072	\$12.58

53701-PN
3" C/C | 3 5/8" L

53702-PN
96MM C/C | 4 1/2" L

53802-PN
128MM C/C | 5 3/4" L

53803-PN
160MM C/C | 7" L

53808-PN
192MM C/C | 8 3/16" L

53809-PN
224MM C/C | 9 1/2" L

53810-PN
256MM C/C | 10 3/4" L

53811-PN
320MM C/C | 13 5/16" L

53805-PN
12" C/C | 13" L
APPLIANCE PULL

53806-PN
18" C/C | 19 1/4" L
APPLIANCE PULL

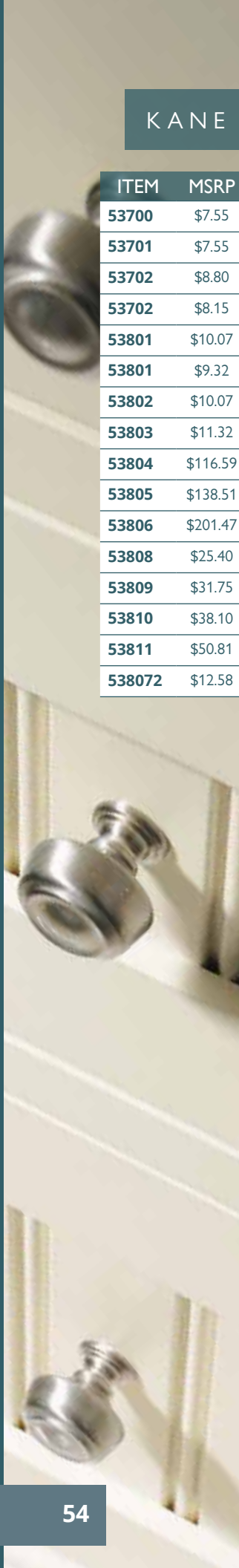
53801-PN
96MM C/C | 4 1/3" L



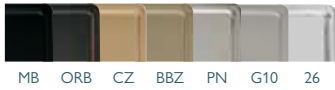
53700-PN
1 1/4" DIA | 1 1/4" PROJ



53807-2-PN
1 5/8" DIA | 1 1/2" PROJ



AVAILABLE FINISHES



37761-BBZ
3" C/C | 4 1/8" L



37762-BBZ
3 3/4" C/C | 5" L



37763-BBZ
5 1/16" C/C | 6 5/16" L



37764-BBZ
6 5/16" C/C | 7 5/8" L



37765-BBZ
7 9/16" C/C | 8 7/8" L



37766-BBZ
8 13/16" C/C | 10 3/16" L



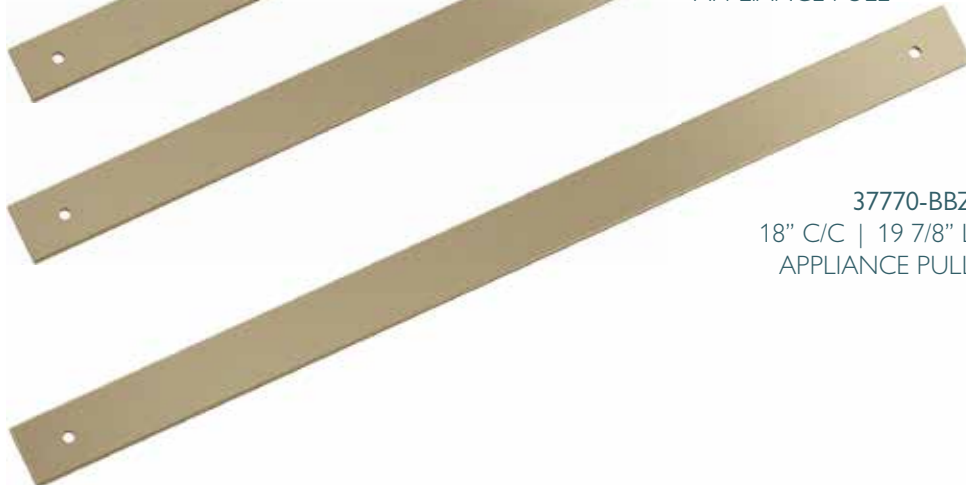
37767-BBZ
10 1/16" C/C | 11 7/16" L



37768-BBZ
12 5/8" C/C | 13 15/16" L



37769-BBZ
12" C/C | 13 7/8" L
APPLIANCE PULL



37770-BBZ
18" C/C | 19 7/8" L
APPLIANCE PULL

ITEM	MSRP
37760	\$7.05
37761	\$9.40
37762	\$10.58
37763	\$12.93
37764	\$14.11
37765	\$16.46
37766	\$18.81
37767	\$23.52
37768	\$28.22
37769	\$47.05
37770	\$64.69

LINTEL

AVAILABLE FINISHES



ITEM	MSRP
37440	\$11.75
37441	\$14.11
37442	\$15.28
37443	\$17.64
37444	\$21.16
37445	\$24.69
37446	\$29.40
37447	\$35.28
37448	\$47.05
37449	\$147.05
37450	\$187.05



37441-ORB
3" C/C | 3 3/4" L



37442-ORB
3 3/4" C/C | 4 9/16" L



37443-ORB
5 1/16" C/C | 5 13/16" L



37444-ORB
6 5/16" C/C | 7 1/16" L



37445-ORB
7 9/16" C/C | 8 5/16" L



37446-ORB
8 13/16" C/C | 9 11/16" L



37447-ORB
10 1/16" C/C | 10 15/16" L



37448-ORB
12 5/8" C/C | 13 7/16" L



37449-ORB
12" C/C | 13 1/4" L
APPLIANCE PULL



37450-ORB
18" C/C | 19 1/4" L
APPLIANCE PULL



37440-ORB
1 1/4" L | 1 1/8" PROJ



LONDON

AVAILABLE FINISH



36639-BBRG10
3" L | 5 7/16" L



36647-BBRG10
1 1/2" L | 1 9/16" PROJ

ITEM	MSRP
36638	\$25.40
36639	\$31.75
36647	\$20.98
36648	\$37.30
36649	\$43.13
36650	\$48.96
36663	\$55.96
36664	\$67.62



36648-BBRG10
3 3/4" C/C | 6 5/16" L



36649-BBRG10
5 1/16" C/C | 7 1/2" L



36638-BBRG10
1 5/8" L | 1 5/16" PROJ



36650-BBRG10
6 5/16" C/C | 8 3/4" L



36663-BBRG10
8" C/C | 10 7/16" L



36664-BBRG10
10 1/16" C/C | 12 1/2" L

LOOP

AVAILABLE FINISHES



37025-G10
1 3/16" DIA | 1" PROJ

ITEM	MSRP
37025	\$3.23



MANOR

AVAILABLE FINISHES



ORB G10



26127-ORB
1 1/2" DIA | 1 3/16" PROJ

ITEM	MSRP
26127	\$4.50

METRO

AVAILABLE FINISHES



MB CZ G10 26



37289-CZ
3" C/C | 3 3/16" L



37290-CZ
3 3/4" C/C | 4" L



37291-CZ
5 1/16" C/C | 5 5/16" L



37292-CZ
6 5/16" C/C | 6 1/2" L



37293-CZ
7 9/16" C/C | 7 13/16" L



37294-CZ
8 13/16" C/C
9 1/16" L

ITEM	MSRP
37289	\$5.93
37290	\$6.47
37291	\$7.55
37292	\$8.63
37293	\$10.79
37294	\$12.95

AVAILABLE FINISHES



37587-26
3" C/C | 4 15/16" L



37588-26
3 3/4" C/C | 5 11/16" L



37589-26
5 1/16" C/C | 6 15/16" L



37590-26
6 5/16" C/C | 8 3/16" L



37591-26
7 9/16" C/C | 9 7/16" L



37592-26
8 13/16" C/C | 10 11/16" L



37593-26
10 1/16" C/C | 12" L



37594-26
12 5/8" C/C | 14 1/2" L

ITEM	MSRP
37586	\$8.22
37587	\$9.40
37588	\$10.58
37589	\$12.93
37590	\$15.28
37591	\$17.64
37592	\$19.99
37593	\$24.69
37594	\$29.40



MEDORA

AVAILABLE FINISHES



ITEM	MSRP
37780	\$7.05
37781	\$5.87
37782	\$7.05
37783	\$8.22
37784	\$9.40
37785	\$10.58
37786	\$11.75
37787	\$15.28
37788	\$19.99
37789	\$29.40
37790	\$41.16



37781-MB
3" C/C | 4 1/8" L



37780-MB
3 11/16" L | 1/8" PROJ



37782-MB
3 3/4" C/C | 5" L



37783-MB
5 1/16" C/C | 6 5/16" L



37784-MB
6 5/16" C/C | 7 5/8" L



37785-MB
7 9/16" C/C | 8 7/8" L



37786-MB
8 13/16" C/C | 10 3/16" L



37787-MB
10 1/16" C/C | 11 7/16" L



37788-MB
12 5/8" C/C | 13 15/16" L



37789-MB
12" C/C | 13 7/8" L
APPLIANCE PULL



37790-MB
18" C/C | 19 7/8" L
APPLIANCE PULL



AVAILABLE FINISHES



37422-CZ
3" C/C | 3 1/2" L



37423-CZ
3 3/4" C/C | 4 1/4" L



37424-CZ
5 1/16" C/C | 5 1/2" L



37425-CZ
6 5/16" C/C | 6 13/16" L



37426-CZ
7 9/16" C/C | 8 1/16" L



37427-CZ
8 13/16" C/C | 9 5/16" L



37428-CZ
10 1/16" C/C | 10 9/16" L



37429-CZ
12 5/8" C/C | 13 1/8" L



37430-CZ
12" C/C | 12 5/8" L
APPLIANCE PULL



37431-CZ
18" C/C | 18 9/16" L
APPLIANCE PULL



37420-CZ
1 1/4" L | 1 1/8" PROJ



37421-CZ
2" DIA | 1 3/8" PROJ

ITEM	MSRP
37420	\$10.58
37421	\$10.58
37422	\$12.93
37423	\$14.11
37424	\$16.46
37425	\$18.81
37426	\$21.16
37427	\$25.87
37428	\$35.28
37429	\$47.05
37430	\$147.05
37431	\$187.05



MERGENCE

AVAILABLE FINISHES



ITEM	MSRP
36857	\$15.10
36858	\$17.61
36859	\$22.66
36860	\$25.17
36861	\$27.69
36980	\$27.21
36981	\$44.45
36982	\$165.16
36983	\$57.16
36984	\$228.69
37385	\$16.50

37385-FBG10
76MM C/C | 4 1/8" L

36858-FBG10
96MM C/C | 4 15/16" L

36859-FBG10
128MM C/C | 6 3/16" L

36860-FBG10
160MM C/C | 7 7/16" L

36980-FBG10
192MM C/C | 8 11/16" L

36861-FBG10
224MM C/C | 9 15/16" L

36981-FBG10
256MM C/C | 11 1/2" L

36983-FBG10
320MM C/C | 14" L

36982-FBG10
12" C/C | 13" L
APPLIANCE PULL

36984-FBG10
18" C/C | 19" L
APPLIANCE PULL



AVAILABLE FINISHES



36905-ORB
1 3/16" DIA | 1" PROJ



36578-ORB
76MM C/C | 3 3/8" L



36570-ORB
96MM C/C | 4 1/8" L



36571-ORB
128MM C/C | 5 7/16" L



36572-ORB
160MM C/C | 6 11/16" L



36908-ORB
192MM C/C | 7 15/16" L



36909-ORB
224MM C/C | 9 13/16" L



36910-ORB
256MM C/C | 10 7/16" L



36911-ORB
320MM C/C | 13" L

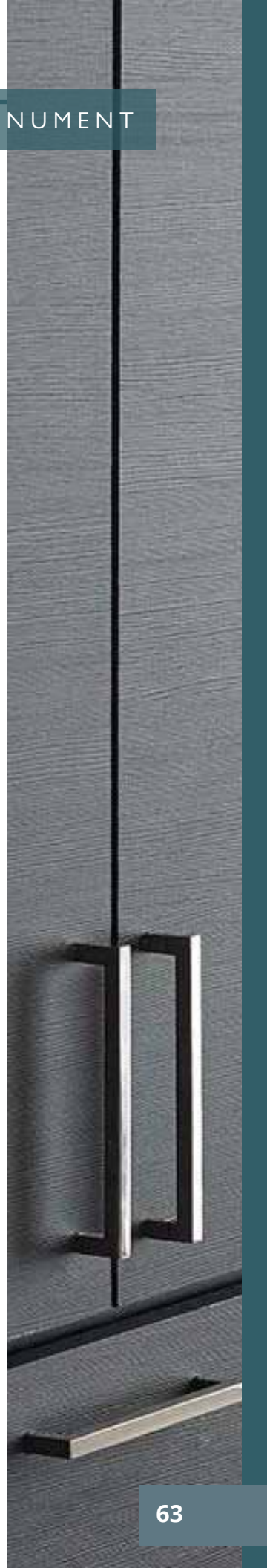


54045-ORB
12" C/C | 12 11/16" L



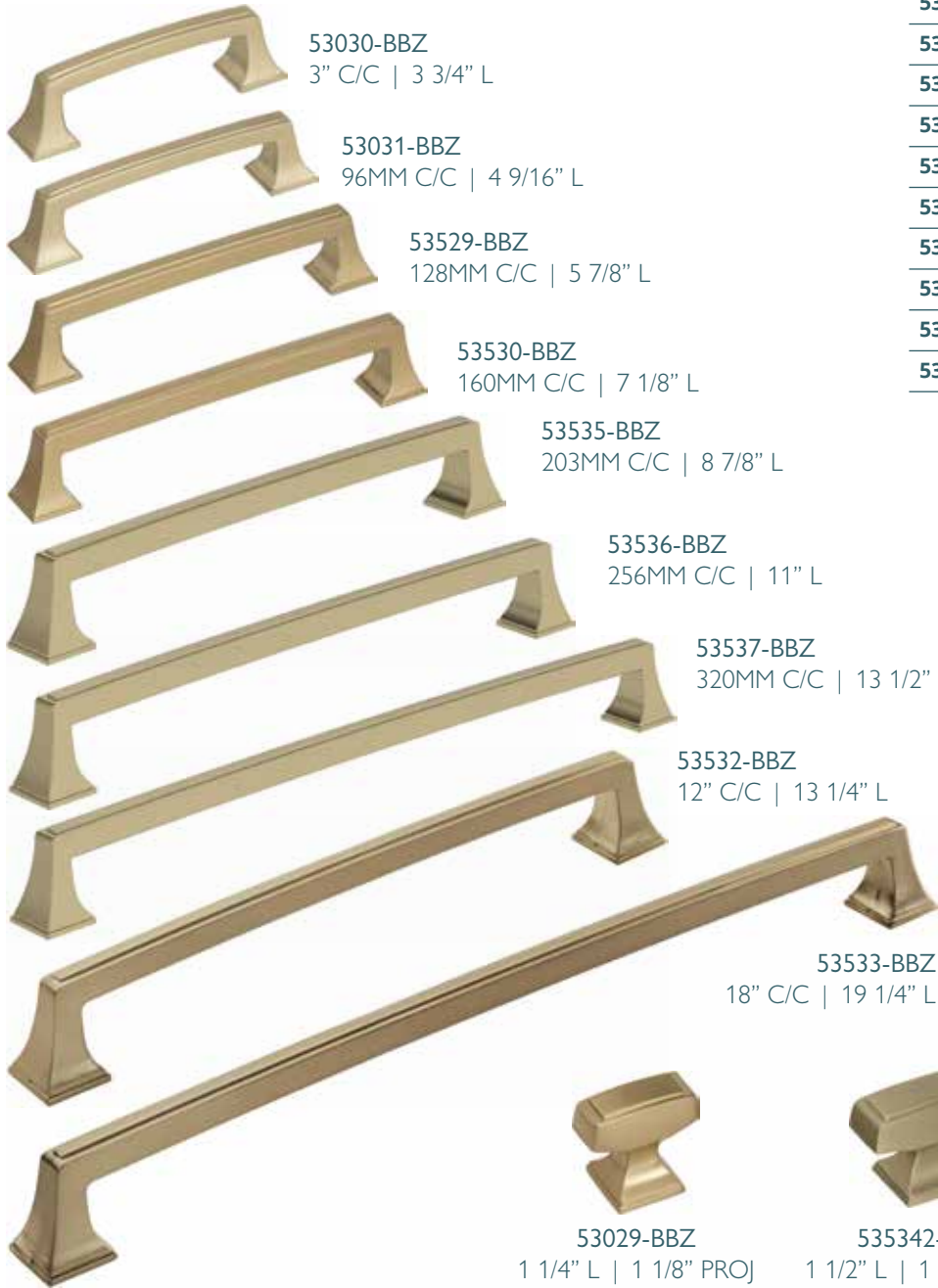
54046-ORB
18" C/C | 18 11/16" L

ITEM	MSRP
36570	\$5.66
36571	\$6.91
36572	\$8.18
36578	\$5.02
36905	\$6.29
36908	\$9.45
36909	\$10.69
36910	\$19.05
36911	\$24.19
54045	\$139.75
54046	\$202.01



MULHOLLAND

AVAILABLE FINISHES



53030-BBZ
3" C/C | 3 3/4" L

53031-BBZ
96MM C/C | 4 9/16" L

53529-BBZ
128MM C/C | 5 7/8" L

53530-BBZ
160MM C/C | 7 1/8" L

53535-BBZ
203MM C/C | 8 7/8" L

53536-BBZ
256MM C/C | 11" L

53537-BBZ
320MM C/C | 13 1/2" L

53532-BBZ
12" C/C | 13 1/4" L

53533-BBZ
18" C/C | 19 1/4" L

53029-BBZ
1 1/4" L | 1 1/8" PROJ

535342-BBZ
1 1/2" L | 1 1/8" PROJ

ITEM	MSRP
53029	\$7.82
53030	\$9.13
53031	\$10.44
53529	\$12.68
53530	\$12.58
53532	\$138.51
53533	\$201.47
53535	\$38.10
53536	\$50.81
53537	\$63.51
535342	\$13.85

NATURE'S SPLENDOR

AVAILABLE FINISHES



1581-ORB
1 1/4" DIA | 1 1/8" PROJ

1580-ORB
3" C/C | 5 5/8" L









ITEM	MSRP
1580	\$7.55
1581	\$5.02

MULINO

AVAILABLE FINISHES



NOTE: 36720, 36722, 36727, 36728 are available only in G1026 BBZ26, BBZMB, MB26, MBBBZ, MBCZ Finishes.

	36720-BBZMB 2 3/8" L 1 9/16" PROJ	ITEM	MSRP
	36722-BBZMB 3" C/C 4 3/16" L	36720	\$15.24
	36723-BBZMB 3 3/4" C/C 4 15/16" L	36722	\$15.24
	36724-BBZMB 5 1/16" C/C 6 1/4" L	36723	\$17.78
	36727-BBZMB 6 5/16" C/C 7 7/16" L	36724	\$20.31
	36725-BBZMB 7 9/16" C/C 8 3/4" L	36725	\$25.40
	36728-BBZMB 8 13/16" C/C 10" L	36726	\$38.10
	36726-BBZMB 10 1/16" C/C 11 1/4" L	36727	\$22.85
		36728	\$31.75

OBERON

	36603-PN 1 3/8" DIA 1 3/16" PROJ		36608-PNFA 1 3/8" DIA 1 3/16" PROJ		36604-PN 1 3/4" DIA 1 5/16" PROJ		36609-PN 1 3/4" DIA 1 5/16" PROJ
	MB GM CZ BBZ G10 PN		MBFA GMFA CZFA BBZFA G10FA PNFA		GM BBZ G10 PN		GMFA BBZFA G10FA PNFA

ITEM	MSRP
36603	\$11.65
36604	\$13.98
36608	\$13.85
36609	\$16.31

OVERTON

AVAILABLE FINISHES



NOTE: 36682 is not available in G1026 Finish.
36683 is not available in BGLBCR, G1026, BMBBGL Finishes. 37080, 37081, 37082, 37083 are not available in BGLBCR, G1026, BMBBGL, BGLG10, BCRBGL Finishes.

	37080-BMBG10 3" C/C 4 1/8" L		36681-BMBG10 3 3/4" C/C 4 15/16" L		36680-BMBG10 2 5/8" L 1 3/16" PROJ
	36682-BMBG10 5 1/16" C/C 6 3/16" L		36683-BMBG10 6 5/16" C/C 7 7/16" L		37081-BMBG10 7 9/16" C/C 8 11/16" L
	36684-BMBG10 8 13/16" C/C 10" L		37082-BMBG10 10 1/16" C/C 11 3/16" L		37083-BMBG10 12 5/8" C/C 13 3/4" L
	37084-BMBG10 12" C/C 13 7/16" L APPLIANCE PULL		37085-BMBG10 18" C/C 19 1/2" L APPLIANCE PULL		

ITEM	MSRP
36680	\$17.64
36681	\$23.52
36682	\$29.40
36683	\$35.28
36684	\$47.05
36685	\$58.81
37080	\$22.86
37081	\$44.45
37082	\$57.16
37083	\$76.23
37084	\$190.58
37085	\$254.10

PAILOU

AVAILABLE FINISHES



ITEM	MSRP
37322	\$8.63
37323	\$9.71
37324	\$10.79

37322-26
3 3/4" C/C | 5 5/16" L



37323-26
5 1/16" C/C | 6 9/16" L



37324-26
6 5/16" C/C | 7 13/16" L



AVAILABLE FINISHES



ITEM	MSRP
37345	\$5.39
37346	\$6.47
37347	\$7.55
37348	\$8.63

PARABOLIC

37345-FB
3" C/C | 3 5/8" L



37346-FB
3 3/4" C/C | 4 1/2" L



37347-FB
5 1/16" C/C | 5 7/8" L



37348-FB
6 5/16" C/C | 7 3/16" L

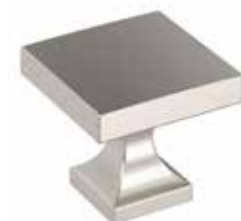


AVAILABLE FINISHES

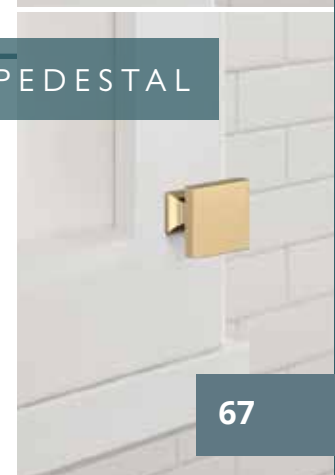


ITEM	MSRP
37024	\$5.39

PEDESTAL



37024-G10
1 1/16" DIA | 1" PROJ



PREMISE

AVAILABLE FINISHES



36844-CZ
96MM C/C | 4 1/4" L

36845-CZ
128MM C/C | 5 9/16" L

36846-CZ
160MM C/C | 6 13/16" L



36843-CZ
1 1/4" DIA | 1 1/16" PROJ

ITEM	MSRP
36843	\$6.47
36844	\$7.55
36845	\$8.63
36846	\$9.71

PROMINENCE

AVAILABLE FINISHES



37321-G10
1 9/16" L | 11/16" PROJ

ITEM	MSRP
37321	\$5.39

RAVINO

AVAILABLE FINISHES



21935-CZ
76MM C/C | 5" L

21936-CZ
96MM C/C | 5 3/4" L

21937-CZ
128MM C/C | 7 1/16" L

21938-CZ
160MM C/C | 8 5/16" L



53012-CZ
1 1/4" DIA
1 1/8" PROJ















22094-CZ
76MM C/C | 3 11/16" L

ITEM	MSRP
21935	\$3.40
21936	\$5.39
21937	\$6.47
21938	\$7.55
22094	\$5.36
53012	\$3.27

AVAILABLE FINISHES



	37390-FB 76MM C/C 5" L	36864-FB 1 1/4" DIA 1 1/16" PROJ	36864 \$12.58
	36865-FB 96MM C/C 5 3/4" L		36865 \$15.10
	36866-FB 128MM C/C 7 1/16" L		36866 \$20.14
	36867-FB 160MM C/C 8 5/16" L		36867 \$22.66
	36868-FB 192MM C/C 9 9/16" L		36868 \$25.17
	36870-FB 224MM C/C 10 13/16" L		36869 \$30.21
	36869-FB 256MM C/C 12 1/16" L		36870 \$27.69
	37391-FB 320MM C/C 14 5/8" L		37390 \$14.60
	54050-FB 12" C/C 14 15/16" L APPLIANCE PULL		37391 \$38.10
	54051-FB 18" C/C 21" L APPLIANCE PULL		54050 \$139.75
	54052-FB 24" C/C 27" L APPLIANCE PULL		54051 \$202.01
			54052 \$245.21

RENOVN

AVAILABLE FINISHES



ITEM	MSRP
36793	\$10.07
36794	\$10.07
36795	\$15.10
36796	\$17.61
36986	\$25.40
36987	\$31.75
36988	\$38.10
36989	\$50.81
37395	\$8.88
54055	\$139.75
54056	\$202.01

37395-ORB
76MM C/C | 3 5/8" L

36793-ORB
1 1/4" DIA | 1 1/8" PROJ

36794-ORB
96MM C/C | 4 7/16" L

36795-ORB
128MM C/C | 5 11/16" L

36796-ORB
160MM C/C | 7" L

36986-ORB
192MM C/C | 8 1/4" L

36987-ORB
224MM C/C | 9 1/2" L

36988-ORB
256MM C/C | 10 3/4" L

36989-ORB
320MM C/C | 13 3/8" L

54055-ORB
12" C/C | 13 1/16" L
APPLIANCE PULL

54056-ORB
18" C/C | 19 5/16" L
APPLIANCE PULL



REVITALIZE

AVAILABLE FINISHES



55343-ORB
3" C/C | A3 11/16" L

55344-ORB
96MM C/C | 4 5/16" L

55346-ORB
128MM C/C | 5 5/8" L

55347-ORB
160MM C/C | 6 7/8" L

55351-ORB
203MM C/C | 8 9/16" L

55354-ORB
256MM C/C | 10 11/16" L

55355-ORB
320MM C/C | 13 1/4" L

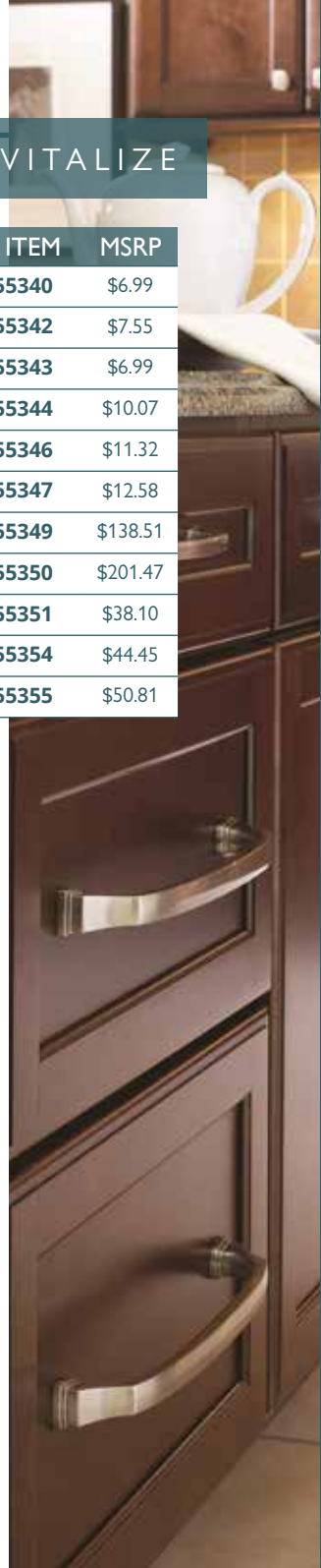
55349-ORB
12" C/C | 13" L
APPLIANCE PULL

55350-ORB
18" C/C | 18 7/8" L
APPLIANCE PULL

55340-ORB
1 1/4" L | 7/8" PROJ

55342-ORB
1 1/4" DIA | 1 1/4" PROJ

ITEM	MSRP
55340	\$6.99
55342	\$7.55
55343	\$6.99
55344	\$10.07
55346	\$11.32
55347	\$12.58
55349	\$138.51
55350	\$201.47
55351	\$38.10
55354	\$44.45
55355	\$50.81



AVAILABLE FINISHES



36851-26
3" C/C | 3 7/16" L

36852-26
96MM C/C | 4 1/4" L

36853-26
128MM C/C | 5 1/2" L

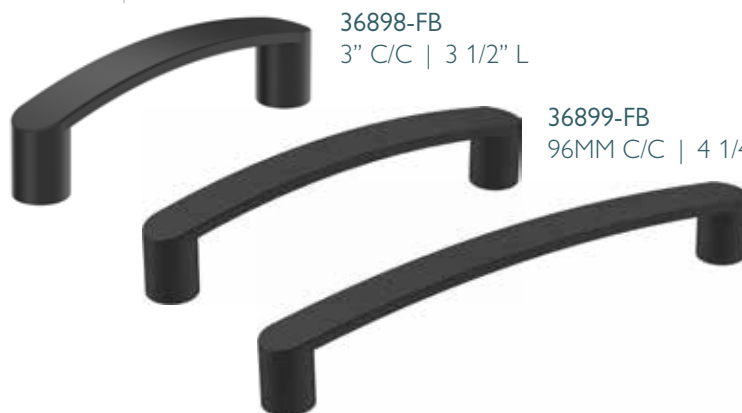
36854-26
160MM C/C | 6 3/4" L

REVOLVE

ITEM	MSRP
36851	\$6.47
36852	\$7.55
36853	\$10.07
36854	\$12.58

RIFT

AVAILABLE FINISHES



36898-FB
3" C/C | 3 1/2" L

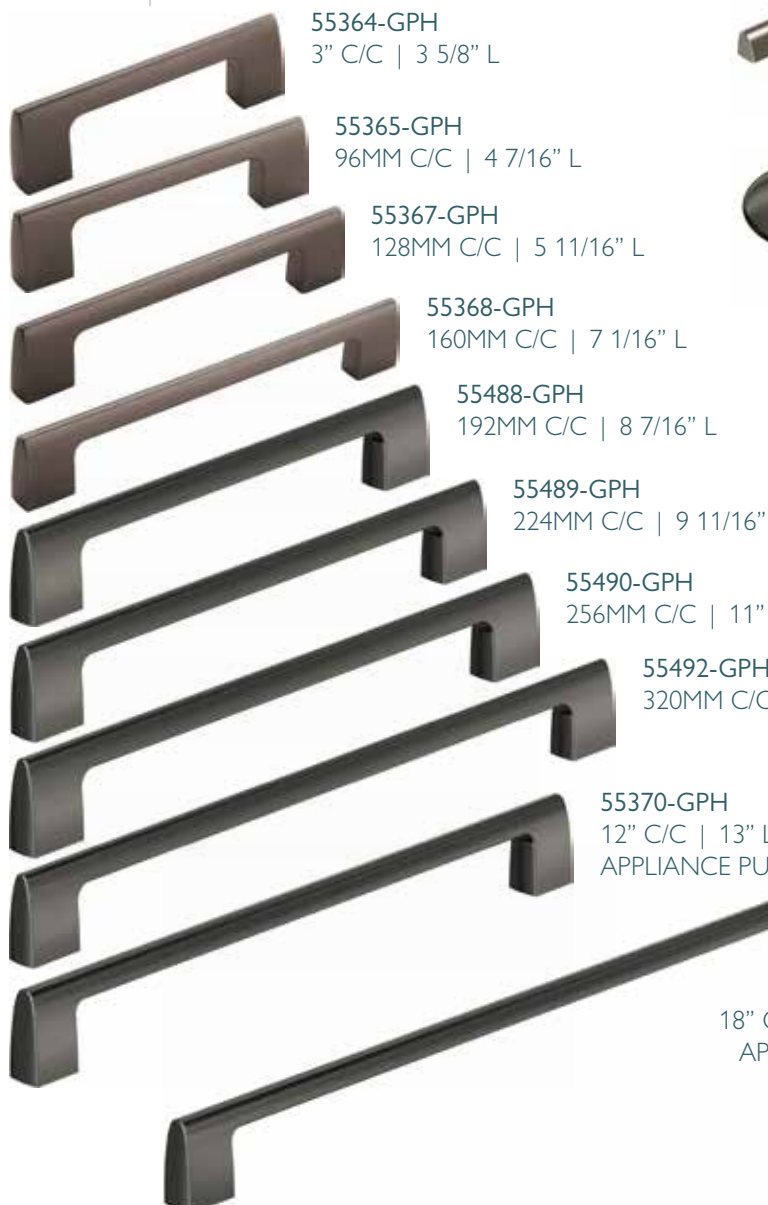
36899-FB
96MM C/C | 4 1/4" L

36900-FB
128MM C/C | 5 1/2" L

ITEM	MSRP
36898	\$6.47
36899	\$7.55
36900	\$10.07

RIVA

AVAILABLE FINISHES



55364-GPH
3" C/C | 3 5/8" L

55365-GPH
96MM C/C | 4 7/16" L

55367-GPH
128MM C/C | 5 11/16" L

55368-GPH
160MM C/C | 7 1/16" L

55488-GPH
192MM C/C | 8 7/16" L

55489-GPH
224MM C/C | 9 11/16" L

55490-GPH
256MM C/C | 11" L

55492-GPH
320MM C/C | 13 1/2" L

55370-GPH
12" C/C | 13" L
APPLIANCE PULL

55371-GPH
18" C/C | 19 1/8" L
APPLIANCE PULL



ITEM	MSRP
36906	\$11.87
55360	\$6.99
55361	\$8.80
55362	\$8.80
55364	\$8.80
55365	\$10.07
55367	\$11.32
55368	\$12.58
55370	\$139.75
55371	\$202.01
55488	\$25.40
55489	\$31.75
55490	\$38.10
55492	\$50.81

AVAILABLE FINISHES



37572
3 3/4" C/C | 4 3/16" L



37573-BBZ
5 1/16" C/C | 5 7/16" L



37574-BBZ
6 5/16" C/C | 6 3/4" L



37575-BBZ
7 9/16" C/C | 8" L



37576-BBZ
8 13/16" C/C | 9 1/4" L



37577-BBZ
10 1/16" C/C | 10 9/16" L



37578-BBZ
12 5/8" C/C | 13 1/16" L



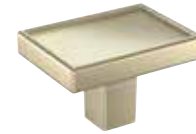
37579-BBZ
12" C/C | 12 11/16" L
APPLIANCE PULL



37580-BBZ
18" C/C | 18 11/16" L
APPLIANCE PULL



37570-BBZ
1 1/4" L | 1" PROJ



37571-BBZ
1 5/8" DIA | 1 5/16" PROJ

ITEM	MSRP
37570	\$17.64
37571	\$19.99
37572	\$29.40
37573	\$35.28
37574	\$41.16
37575	\$52.93
37576	\$64.69
37577	\$82.34
37578	\$99.99
37579	\$235.28
37580	\$294.11



ROCHDALE

AVAILABLE FINISHES



53710-G10
1 1/4" DIA
1 1/8" PROJ

ITEM	MSRP
53710	\$5.36
53712	\$6.99
53713	\$8.15
53715	\$6.99
53716	\$8.15



53711-G10
3" C/C | 4" L



53712-G10
96MM C/C | 4 3/4" L



53713-G10
128MM C/C | 6" L



53714-G10
160MM C/C | 7 1/4" L



53715-G10
3" C/C | 4 1/2" L



53716-G10
96MM C/C | 5 3/8" L

SEA GRASS

AVAILABLE FINISHES



36617-BBZ
1 3/4" L | 1 5/16" PROJ



36614-BBZ
1 1/2" L | 1 3/16" PROJ



36615-BBZ
3" C/C | 3 7/8" L

ITEM	MSRP
36614	\$12.58
36615	\$15.10
36617	\$13.85
36621	\$15.10
36622	\$16.36
36623	\$18.88



36621-BBZ
3 3/4" C/C | 5" L



36622-BBZ
5 1/16" C/C | 6 1/4" L



36623-BBZ
6 5/16" C/C | 7 1/2" L

SEPARA

AVAILABLE FINISHES



BBN 26

ITEM	MSRP
36735	\$38.47
36736	\$45.46
36737	\$52.46



36735-BBN
160MM C/C | 8 13/16" L



36736-BBN
8" C/C | 10 1/2" L



36737-BBN
10 1/16" C/C | 12 5/8" L



AVAILABLE FINISHES



FB ORB CZ G10 26

ITEM	MSRP
37040	\$5.39
37041	\$6.47
37042	\$7.55
37043	\$8.63

SHEFFIELD



37040-CZ
3" C/C | 4 3/8" L



37041-CZ
3 3/4" C/C | 5 1/32" L



37042-CZB
5 1/16" C/C | 6 3/8" L



37043-CZ
6 5/16" C/C | 7 11/16" L



SOCLE

AVAILABLE FINISHES



ITEM	MSRP
37023	\$5.39



37023-ORB
1 7/16" DIA | 13/16" PROJ

ST. VINCENT

AVAILABLE FINISHES



ITEM	MSRP
36641	\$15.24
36642	\$12.58
36643	\$16.36
36644	\$20.14
36645	\$23.91
36646	\$15.10
55500	\$38.10
55501	\$44.45
55502	\$165.16
55503	\$228.69



36641-PN
1 5/8" L | 1 3/16" PROJ



36646-PN
3" C/C | 5 7/16" L



36643-PN
3 3/4" C/C | 6 5/16" L



36644-PN
5 1/16" C/C | 7 1/2" L



36645-PN
6 5/16" C/C | 8 3/4" L



36642-PN
2 1/2" L | 1 7/16" PROJ



55500-PN
8" C/C | 10 7/16" L



55501-PN
10 1/16" C/C | 12 9/16" L

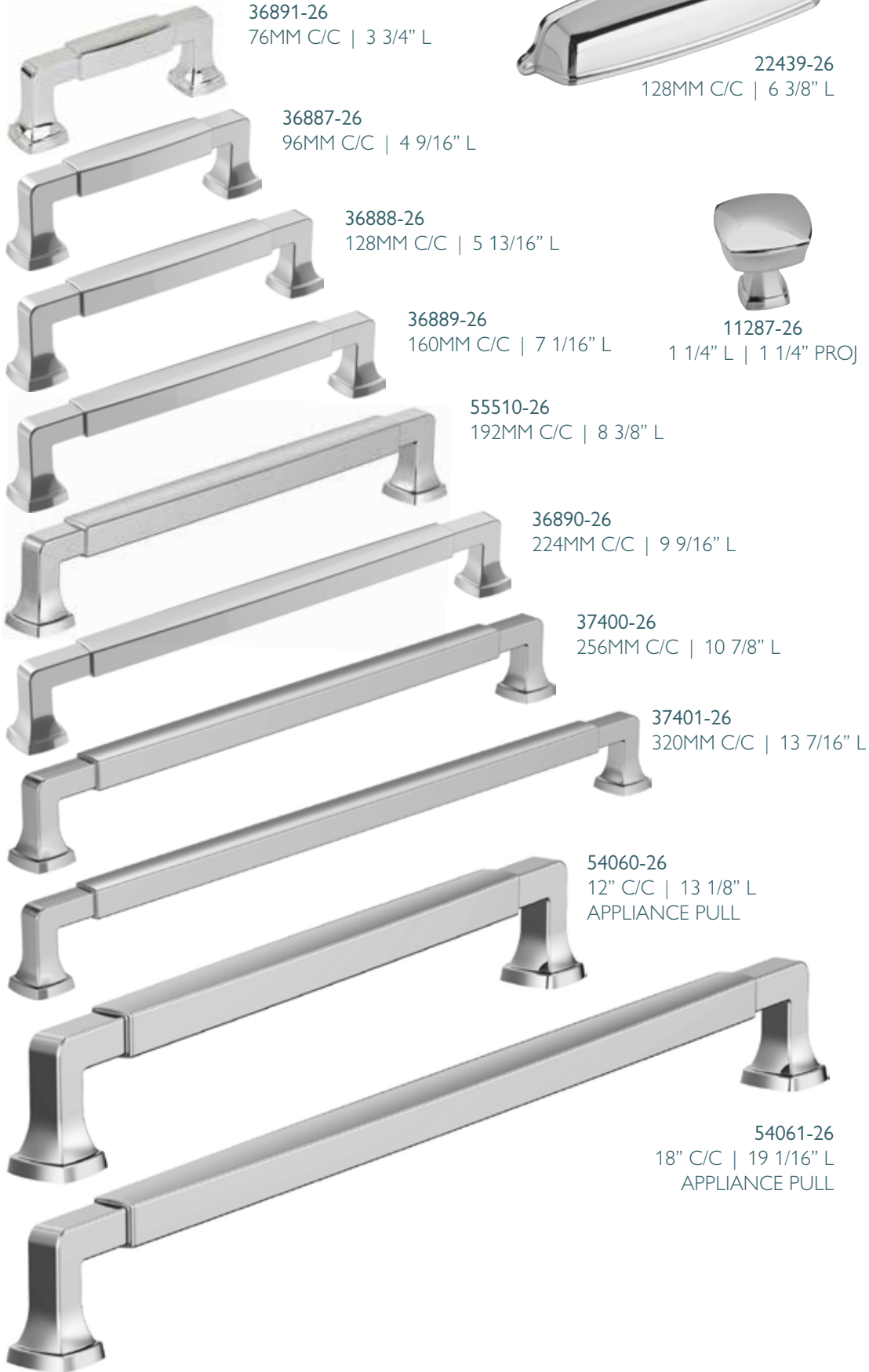


55502-PN
12" C/C | 15 3/16" L
APPLIANCE PULL



55503-PN
18" C/C | 21 3/16" L
APPLIANCE PULL

AVAILABLE FINISHES



STATURE

ITEM	MSRP
11287	\$8.80
22439	\$12.58
36887	\$15.10
36888	\$20.14
36889	\$22.66
36890	\$27.69
36891	\$12.58
37400	\$44.45
37401	\$69.87
54060	\$139.75
54061	\$202.01
55510	\$25.40

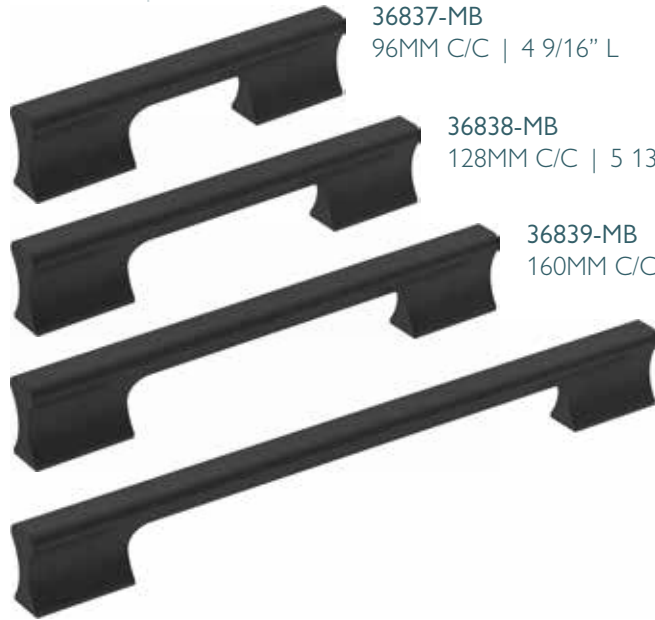


STATUS

AVAILABLE FINISHES



MB G10 26



36837-MB
96MM C/C | 4 9/16" L

36838-MB
128MM C/C | 5 13/16" L

36839-MB
160MM C/C | 7 1/16" L

36840-MB
224MM C/C | 9 5/8" L



36836-MB
2" L | 1 1/16" H

ITEM	MSRP
36836	\$6.47
36837	\$7.55
36838	\$8.63
36839	\$9.71
36840	\$16.19

STERLING TRADITIONS

AVAILABLE FINISH



ORB



1300-ORB
3" C/C | 5 1/4" L

1302-ORB
3" C/C | 4 15/16" L



1307-ORB
1 1/4" DIA | 7/8" PROJ

ITEM	MSRP
1300	\$4.95
1302	\$4.25
1307	\$2.82

SUNSET

AVAILABLE FINISHES



MB CZ G10 26



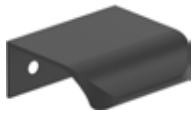
37295-G10
1 3/16" DIA | 7/8" PROJ

ITEM	MSRP
37295	\$8.09

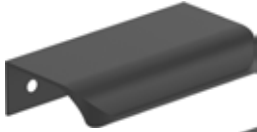
AVAILABLE FINISHES



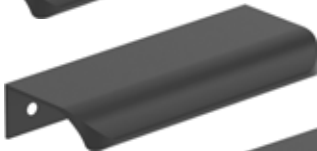
STREAMLINE TAB



37200-MB
1" C/C | 1 3/4" L



37201-MB
2 3/16" C/C | 3" L



37202-MB
3 3/16" C/C | 4" L



37203-MB
4 3/16" C/C | 5" L



37204-MB
5 3/16" C/C | 6" L

ITEM	MSRP
37200	\$4.31
37201	\$5.39
37202	\$6.47
37203	\$7.55
37204	\$8.63



AVAILABLE FINISHES



STREAMLINE II



37190-G10
1" C/C | 1 3/4" L



37191-G10
2 3/16" C/C | 3" L



37192-G10
3 3/16" C/C | 4" L



37193-G10
4 3/16" C/C | 5" L



37194-G10
5 3/16" C/C | 6" L

ITEM	MSRP
37190	\$4.31
37191	\$6.47
37192	\$7.55
37193	\$8.63
37194	\$9.71



AVAILABLE FINISHES



ITEM	MSRP
36893	\$11.32
36894	\$13.85
36895	\$18.88
36896	\$21.39
36897	\$12.69
55520	\$25.40
55521	\$31.75
55522	\$38.10
55523	\$139.75
55524	\$50.81
55525	\$202.01

36897-CZ
3" C/C | 3 25/32" L

36894-CZ
3 3/4" C/C | 4 9/16" L

36895-CZ
5 1/16" C/C | 5 13/16" L

36896-CZ
6 5/16" C/C | 7 1/16" L

55520-CZ
7 9/16" C/C | 8 7/16" L

55521-CZ
8 13/16" C/C | 9 11/16" L

55522-CZ
10 1/16" C/C | 11" L

55524-CZ
12 5/8" C/C | 13 1/2" L

55523-CZ
12" C/C | 13 1/4" L
APPLIANCE PULL

55525-CZ
18" C/C | 19 1/4" L
APPLIANCE PULL

36893-CZ
1 1/4" L | 1 3/16" PROJ

AVAILABLE FINISHES



37600-ORB
1 9/16" L | 1/8" PROJ

37601-ORB
3" C/C | 5 11/16" L

37602-ORB
3 3/4" C/C | 6 1/2" L

37603-ORB
5 1/16" C/C | 7 3/4" L

37604-ORB
6 5/16" C/C | 9" L

37605-ORB
7 9/16" C/C | 10 1/4" L

37606-ORB
8 13/16" C/C | 11 1/2" L

37607-ORB
10 1/16" C/C | 12 13/16" L

37608-ORB
12 5/8" C/C | 15 5/16" L

ITEM	MSRP
37600	\$8.22
37601	\$9.40
37602	\$10.58
37603	\$12.93
37604	\$15.28
37605	\$17.64
37606	\$19.99
37607	\$24.69
37608	\$29.40



TOWNSEND

AVAILABLE FINISHES



37522-G10
3 3/4" C/C | 4 3/16" L



37523-G10
5 1/16" C/C | 5 1/2" L



37524-G10
6 5/16" C/C | 6 3/4" L



37525-G10
7 9/16" C/C | 8" L



37526-G10
8 13/16" C/C | 9 1/4" L



37527-G10
10 1/16" C/C | 10 9/16" L



37628-G10
12 5/8" C/C | 13 1/16" L



37529-G10
12" C/C | 12 5/8" L
APPLIANCE PULL



37530-G10
18" C/C | 18 5/8" L
APPLIANCE PULL



37520-G10
1 5/16" L | 1 1/16" PROJ



37521-G10
1 5/8" DIA | 1 1/4" PROJ

ITEM	MSRP
37520	\$17.64
37521	\$19.99
37522	\$29.40
37523	\$35.28
37524	\$41.16
37525	\$52.93
37526	\$64.69
37527	\$82.34
37528	\$99.99
37529	\$235.28
37530	\$294.11



AVAILABLE FINISHES



37335-MB
1 3/16" DIA | 1" PROJ

ITEM	MSRP
37335	\$5.93

TORRANCE



AVAILABLE FINISHES



55268-CBBZ
1 1/4" DIA | 1 1/2" PROJ

ITEM	MSRP
55268	\$11.32

TRADITIONAL CLASSICS



AVAILABLE FINISHES



741416-MBMG
5/8" C/C | 3 3/16" L

741496-MBMG
3 3/4" C/C | 6 15/16" L

7414128-MBMG
5 1/16" C/C | 8 3/16" L

7414160-MBMG
6 5/16" C/C | 9 7/16" L

7414192-MBMG
7 9/16" C/C | 10 11/16" L

7414256-MBMG
10 1/16" C/C | 13 3/16" L



196732-MBMG
1 1/4" DIA | 7/8" PROJ

ITEM	MSRP
196732	\$21.85
741412	\$34.61
741416	\$21.85
741419	\$40.80
741425	\$52.46
741496	\$29.14
7414128	\$32.05
7414160	\$36.42
7414192	\$40.80
7414256	\$52.46
7414320	\$64.12

TRANSCENDENT



TRIOMPHE

AVAILABLE FINISHES



37090-ORB
3" C/C | 4" L



37091-ORB
3 3/4" C/C | 4 13/16" L



37092-ORB
5 1/16" C/C | 6 1/16" L



37093-ORB
6 5/16" C/C | 7 5/16" L

ITEM	MSRP
37090	\$6.47
37091	\$7.55
37092	\$8.63
37093	\$9.71

UPRISE

AVAILABLE FINISHES



36917-G10
96MM C/C | 6 5/8" L



36918-G10
128MM C/C | 7 7/8" L



36919-G10
192MM C/C | 10 5/8" L



36920-G10
224MM C/C | 11 15/16" L

ITEM	MSRP
36917	\$12.58
36918	\$17.61
36919	\$22.66
36920	\$25.17

AVAILABLE FINISHES



NOTE: 77898, 77822 are available only in 26BMB, BBZMB, BBZWHT, CZMB, CZWHT Finishes. MBMB Finish is available only for 77896, 778256, 778160, 778192

	77898-CZWHT 3" C/C 5 3/4" L	ITEM	MSRP
	77896-CZWHT 3 3/4" C/C 6 1/2" L	67	\$17.48
	778128-CZWHT 5 1/16" C/C 7 13/16" L	5409	\$190.58
	778160-CZWHT 6 5/16" C/C 9 1/16" L	6726	\$18.88
	778192-CZWHT 7 9/16" C/C 10 1/4" L	54090	\$190.58
	77822-CZWHT 8 13/16" C/C 11 9/16" L	54091	\$254.10
	778256-CZWHT 10 1/16" C/C 12 3/4" L	77822	\$35.56
	54090-CZWHT 12" C/C 16 3/4" L APPLIANCE PULL	77896	\$20.39
	54091-CZWHT 18" C/C 22 13/16" L APPLIANCE PULL	77898	\$20.31
	67-CZWHT 2 3/4" L 1 3/16" PROJ	778128	\$23.31
		778160	\$26.22
		778192	\$29.14
		778256	\$36.42



AVAILABLE FINISHES

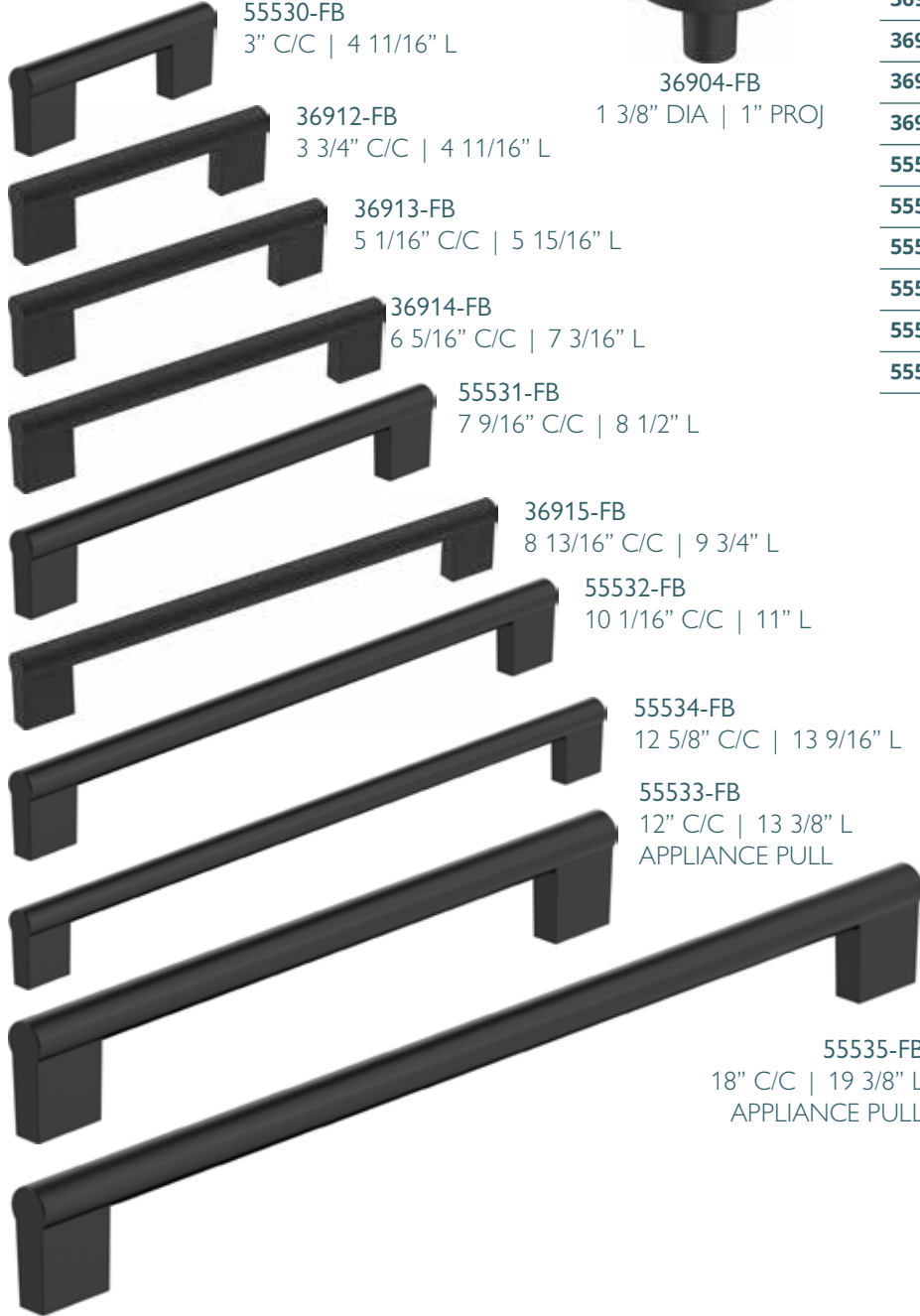


	37230-G10 76MM C/C 3 15/16" L	ITEM	MSRP
	37231-G10 128MM C/C 6" L	37230	\$4.15
	53003-G10 96MM C/C 4 3/4" L	37231	\$8.09
	37232-G10 160MM C/C 7 1/4" L	37232	\$10.25
	53014-G10 1 3/8" L 1 1/2" PROJ	53003	\$4.15
		53014	\$3.77



VERSA

AVAILABLE FINISHES



55530-FB
3" C/C | 4 11/16" L

36912-FB
3 3/4" C/C | 4 11/16" L

36913-FB
5 1/16" C/C | 5 15/16" L

36914-FB
6 5/16" C/C | 7 3/16" L

55531-FB
7 9/16" C/C | 8 1/2" L

36915-FB
8 13/16" C/C | 9 3/4" L

55532-FB
10 1/16" C/C | 11" L

55534-FB
12 5/8" C/C | 13 9/16" L

55533-FB
12" C/C | 13 3/8" L
APPLIANCE PULL

55535-FB
18" C/C | 19 3/8" L
APPLIANCE PULL



36904-FB
1 3/8" DIA | 1" PROJ

ITEM	MSRP
36904	\$6.29
36912	\$7.55
36913	\$10.07
36914	\$12.58
36915	\$17.61
55530	\$7.33
55531	\$16.19
55532	\$21.59
55533	\$139.75
55534	\$37.79
55535	\$202.01

VALOR

AVAILABLE FINISHES



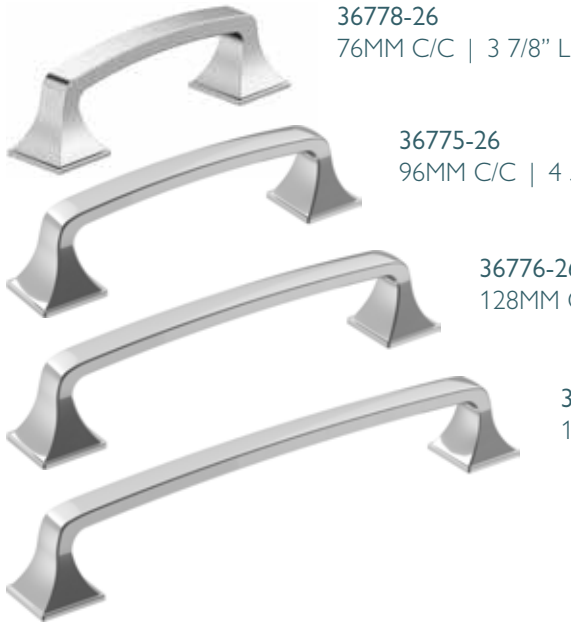
37320-26
1 7/16" DIA | 1 1/16" PROJ

ITEM	MSRP
37320	\$4.31



VILLE

AVAILABLE FINISHES



36778-26
76MM C/C | 3 7/8" L

36775-26
96MM C/C | 4 5/8" L

36776-26
128MM C/C | 5 7/8" L

36777-26
160MM C/C | 7 1/8" L

ITEM	MSRP
36774	\$7.55
36775	\$8.63
36776	\$9.71
36777	\$10.79
36778	\$6.47



36774-26
1 1/8" DIA | 1 1/16" PROJ

AVAILABLE FINISHES



37026-MB
1 1/16" DIA | 15/16" PROJ

ITEM	MSRP
37026	\$3.23

WHISTLE



AVAILABLE FINISHES



37309-G10
3" C/C | 4 5/8" L

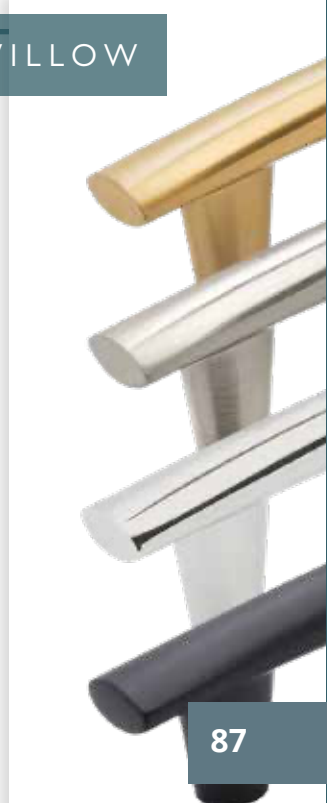
37310-G10
3 3/4" C/C | 5 7/16" L

37311-G10
5 1/16" C/C | 6 5/8" L

37312-G10
6 5/16" C/C | 7 15/16" L

ITEM	MSRP
37309	\$4.85
37310	\$5.39
37311	\$6.47
37312	\$7.55

WILLOW



WESTERLY

AVAILABLE FINISHES



ITEM	MSRP
53717	\$7.55
53718	\$7.55
53719	\$7.55
53720	\$10.07
53721	\$11.32
53722	\$12.58
53723	\$25.40
53724	\$31.75
53725	\$38.10
53726	\$50.81
54023	\$125.92
54024	\$188.88



53719-BBZ
3" C/C | 4 1/4" L



53720-BBZ
3 3/4" C/C | 5 1/16" L



53721-BBZ
5 1/16" C/C | 6 1/4" L



53722-BBZ
6 5/16" C/C | 7 5/8" L



53723-BBZ
7 9/16" C/C | 8 7/8" L



53724-BBZ
8 13/16" C/C | 10 1/8" L



53725-BBZ
10 1/16" C/C | 11 7/16" L



53726-BBZ
12 5/8" C/C | 14" L



54023-BBZ
12" C/C | 13 7/8" L
APPLIANCE PULL



54024-BBZ
18" C/C | 19 15/16" L
APPLIANCE PULL



53717-BBZ
1 5/16" L | 1 1/16" PROJ



53718-BBZ
1 3/16" DIA | 1 1/8" PROJ



AVAILABLE FINISHES



ITEM	MSRP
36765	\$12.58
36766	\$15.10
36767	\$20.14
36768	\$25.17
36769	\$27.69
36770	\$13.96
36771	\$22.85
36772	\$38.10
36773	\$50.81
54065	\$139.75
54066	\$202.01
54067	\$245.21



36770-CZ
76MM C/C | 4 1/2" L

36765-CZ
1 1/4" DIA | 1 3/16" PROJ



36766-CZ
96MM C/C | 5 5/16" L



36767-CZ
128MM C/C | 6 1/2" L



36771-CZ
160MM C/C | 7 13/16" L



36768-CZ
192MM C/C | 9 1/16" L



36769-CZ
224MM C/C | 10 5/16" L



54065-CZ
12" C/C | 14 1/2" L
APPLIANCE PULL



54066-CZ
18" C/C | 20 9/16" L
APPLIANCE PULL



54067-CZ
24" C/C | 26 1/2" L
APPLIANCE PULL





Fairlane



Urbanite



Maymont



Ballard

APPOINT

AVAILABLE FINISHES



36070-G10
1 7/8" L
2 1/2" PROJ
ROBE HOOK



36071-G10
7 1/16" L
2 1/2" PROJ
TISSUE HOLDER



36072-G10
7 1/16" L
2 1/16" PROJ
TOWEL RING



36075-G10
8" C/C | 9 7/8" L
TOWEL BAR



36073-G10
18" C/C | 19 1/4" L
TOWEL BAR



36074-G10
24" C/C | 25 1/4" L
TOWEL BAR

ITEM	MSRP
36070	\$25.40
36071	\$38.10
36073	\$44.45
36074	\$50.81
36075	\$38.10
36072	\$38.10

AVAILABLE FINISHES



26542-BBZ
2 1/16" L
2 1/16" PROJ
ROBE HOOK



26540-BBZ
7 5/16" L
3 1/16" PROJ
TISSUE HOLDER



26541-BBZ
6 3/8" L
2 1/16" PROJ
TOWEL RING



26546-BBZ
9" C/C | 11 5/8" L
TOWEL BAR



26543-BBZ
18" C/C | 21" L
TOWEL BAR



26544-BBZ
24" C/C | 27" L
TOWEL BAR

ARRONDI

ITEM	MSRP
26542	\$50.81
26540	\$69.87
26543	\$95.28
26544	\$107.99
26546	\$76.23
26541	\$69.87

BLACK ROCK

AVAILABLE FINISHES



ITEM	MSRP
36000	\$38.10
36001	\$50.81
36003	\$69.87
36004	\$82.58
36005	\$57.16
36002	\$50.81



36000-ORB
3 9/16" L
2 1/8" PROJ
ROBE HOOK



36001-ORB
9 5/16" L
2 13/16" PROJ
TISSUE HOLDER



36002-ORB
6 13/16" L
2 7/8" PROJ
TOWEL RING



36005-G10
9" C/C | 10 7/8" L
TOWEL BAR



36003-ORB
18" C/C | 19 7/8" L
TOWEL BAR



36004-ORB
24" C/C | 25 7/8" L
TOWEL BAR

BRONX

AVAILABLE FINISHES



ITEM	MSRP
36563	\$50.81
26617	\$95.28
26614	\$127.05
26615	\$152.45
26616	\$101.64
26612	\$95.28



36563-GM
2 11/16" L
2 1/4" PROJ
ROBE HOOK



26517-GM
5 7/8" L
3 3/16" PROJ
TISSUE HOLDER



26612-GM
7 7/16" L
2 9/16" PROJ
TOWEL RING



26616-GM
9" C/C | 13 5/8" L
TOWEL BAR



26614-GM
18" C/C | 22 11/16" L
TOWEL BAR



26615-GM
24" C/C | 28 5/8" L
TOWEL BAR

DAVENPORT

AVAILABLE FINISHES



ITEM	MSRP
36050	\$50.81
36051	\$69.87
36053	\$95.28
36054	\$114.34
36055	\$76.23
36052	\$69.87

AVAILABLE FINISHES



ESQUIRE

ITEM	MSRP
36563	\$63.51
26617	\$95.28
26614	\$127.05
26615	\$152.45
26616	\$101.64
26612	\$95.28

AVAILABLE FINISHES



GLACIO

ITEM	MSRP
36060	\$63.51
36061	\$95.28
36063	\$127.05
36064	\$152.45
36065	\$101.64
36062	\$95.28

HIGHLAND RIDGE

ITEM	MSRP
36010	\$38.10
36011	\$50.81
36013	\$69.87
36014	\$82.58
36015	\$57.16
36012	\$50.81

AVAILABLE FINISHES



36010-26
2 5/8" L
2 1/2" PROJ
ROBE HOOK



36011-26
10 5/8" L
2 13/16" PROJ
TISSUE HOLDER



36012-26
7 7/16" L
3" PROJ
TOWEL RING



36015-26
9" C/C | 11 13/16" L
TOWEL BAR



36013-26
18" C/C | 20 13/16" L
TOWEL BAR



36014-26
24" C/C | 26 13/16" L
TOWEL BAR

MONUMENT

ITEM	MSRP
36080	\$25.40
36081	\$38.10
36083	\$44.45
36084	\$50.81
36085	\$38.10
36082	\$38.10

AVAILABLE FINISHES



36080-MB
7/8" L
2 3/8" PROJ
ROBE HOOK



36081-MB
5 7/8" L
2 3/4" PROJ
TISSUE HOLDER



36082-MB
6 1/2" L
2 3/8" PROJ
TOWEL RING



36085-MB
8" C/C | 8 7/8" L
TOWEL BAR



36083-MB
18" C/C | 18 7/8" L
TOWEL BAR



36084-MB
24" C/C | 24 7/8" L
TOWEL BAR

MULHOLLAND

ITEM	MSRP
36020	\$38.10
36021	\$50.81
36023	\$69.87
36024	\$82.58
36025	\$57.16
36022	\$50.81

AVAILABLE FINISHES



36020-G10
4 1/4" L
3 5/8" PROJ
ROBE HOOK



36021-G10
8 13/16" L
2 13/16" PROJ
TISSUE HOLDER



36022-G10
5 3/4" L
2 5/16" PROJ
TOWEL RING



36025-G10
9" C/C | 10 3/4" L
TOWEL BAR



36023-G10
18" C/C | 19 13/16" L
TOWEL BAR



36024-G10
24" C/C | 25 3/4" L
TOWEL BAR

REVITALIZE

AVAILABLE FINISHES



36030-BBZ
2 1/8" L
2 3/8" PROJ
ROBE HOOK



36031-BBZ
7 7/8" L
3 1/16" PROJ
TISSUE HOLDER



36032-BBZ
6 3/8" L
2 13/16" PROJ
TOWEL RING



36035-BBZ
9" C/C | 10 3/4" L
TOWEL BAR



36033-BBZ
18" C/C | 19 3/4" L
TOWEL BAR



36034-BBZ
24" C/C | 25 3/4" L
TOWEL BAR

ITEM	MSRP
36030	\$50.81
36031	\$69.87
36033	\$95.28
36034	\$114.34
36035	\$76.23
36032	\$69.87

AVAILABLE FINISHES



ST. VINCENT



36040-CZ
2 1/16" L
2 1/16" PROJ
ROBE HOOK



36041-CZ
7 5/16" L
3 1/16" PROJ
TISSUE HOLDER



36042-CZ
6 3/8" L
2 1/16" PROJ
TOWEL RING



36043-CZ
18" C/C | 21" L
TOWEL BAR



36044-CZ
24" C/C | 26 8/9" L
TOWEL BAR

ITEM	MSRP
36040	\$58.81
36041	\$88.22
36043	\$117.64
36044	\$141.16
36042	\$88.22

AVAILABLE FINISHES



STATURE



36090-G10
2 1/4" L
2 1/2" PROJ
ROBE HOOK



36091-G10
7 1/16" L
2 5/8" PROJ
TISSUE HOLDER



36092-G10
7 9/16" L
2 5/8" PROJ
TOWEL RING



36095-G10
8" C/C | 10 1/4" L
TOWEL BAR



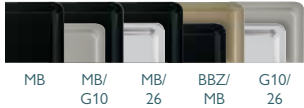
36093-G10
18" C/C | 20 1/4" L
TOWEL BAR



36094-G10
24" C/C | 26 1/4" L
TOWEL BAR

ITEM	MSRP
36090	\$25.40
36091	\$38.10
36093	\$44.45
36094	\$50.81
36095	\$38.10
36092	\$38.10

ACCLIVITY



37011-BBZMB
3 11/16" L
2 5/8" PROJ
\$38.10

ADARE



55465-ORB
5 1/2" L
3 5/16" PROJ
\$10.79

ALDER



37007-G10
4 1/2" L
2 5/8" PROJ
\$22.85

ALISO



37005-BBZ
4 1/2" L
2 5/8" PROJ
\$25.40

APEX



37014-PN
5 1/8" L
1 11/16" PROJ
\$31.75

AVID



37010-MB
4 1/16" L
1 11/16" PROJ
\$22.85

BASIC



55457-S
2 3/4" L
1 1/2" PROJ
\$5.27

BENTON



37008-CZ
2 1/4" L
1 5/8" PROJ
\$22.85

BRAY



37009-26
4 3/4" L
1 7/16" PROJ
\$25.40

BRONX



36563-GM
2 11/16" L
2 1/4" PROJ
\$50.81

BURBANK



36686-BBZG10
3 15/16" L
2 15/16" PROJ
\$38.10

EMERGE



37003-MB
5 7/16" L
2 1/4" PROJ
\$16.50

FINESSE



37013-PN
4 15/16" L
2 3/16" PROJ
\$31.75

GLOBE



55469-W26
5 1/8" L
3 3/8" PROJ
\$10.11

GRANLYN



36693-CZ
5 5/16" L
2 5/8" PROJ
\$38.10

KINSALE



37002-G10
15/16" L
2 13/16" PROJ
\$16.50

KODIAK



37017-BBZ
6 1/16" L
2" PROJ
\$57.16

MEDIUM CLASSIC



55445-ORB
3 5/16" L
2 5/16" PROJ
\$6.22

NOBLE



55451-CZ
4 7/16" L
3 9/16" PROJ
\$9.51

OVER-THE-DOOR



55548-ORB
9 3/4" L
3 1/2" PROJ
\$19.60

PRISMO



37015-26
3" L
1 3/8" PROJ
\$44.45

UNISON



37012-MBG10
5 1/8" L
1 5/8" PROJ
\$38.10

VICINITY



37001-MB
4 9/16" L
2 11/16" PROJ
\$16.50



37004-MB
4 9/16" L
2 11/16" PROJ
\$22.85

VINLAND



37006-PN
4 11/16" L
2 7/16" PROJ
\$25.40

MAGNETIC CATCHES



9765-PT
5-11 LBS PULL FORCE
1 15/16" L

\$5.15



PT



9765F-PT
5-11 LBS PULL FORCE
1 15/16" L

\$6.18



PT W



9773-PT
5-11 LBS PULL FORCE
2" L

\$2.27



PT

HINGES

AVAILABLE FINISHES



FB ORB BB CZ BBZ 3 G10 G9 26 W



3428-3
2 3/4" L
3/8" INSET

\$6.24

HINGES

AVAILABLE FINISHES



FB ORB AE BB CZ BBZ 3 G10 26 W



3429-26
2 3/4" L
VARIABLE OVERLAY

\$6.24

HINGES

AVAILABLE FINISHES



FB ORB BB CZ BBZ G10 W



7550-CZ
2 1/4" L
1/2" OVERLAY

\$10.77

HINGES

AVAILABLE FINISHES



FB ORB CZ BBZ G10



7566-ORB
2 1/4" L
1/4" OVERLAY

\$10.77

HINGES

AVAILABLE FINISHES



FB ORB BB CZ BBZ G10



7565-G10
2 1/4" L
3/8" INSET

\$10.77

HINGES

AVAILABLE FINISHES



ORB G10



3175-TM-ORB
2 7/8" L

\$6.20

HINGES

AVAILABLE FINISHES



ORB AE BB G10



3175-TB-DAE
2 1/2" L

\$6.92

HINGES

AVAILABLE FINISHES



FB ORB CZ BBZ G10



3180-TB-FB
2 1/2" L

\$6.92

H-Select

H-Select

COLORADO



K92925-SN
SATIN NICKEL
1 5/16" DIA
1 1/8" PROJ



K92925-BK
MATTE BLACK
1 5/16" DIA
1 1/8" PROJ



K92925-10B
OIL RUBBED BRONZE
1 5/16" DIA
1 1/8" PROJ



K92925-RG
ROSE GOLD
1 5/16" DIA
1 1/8" PROJ



K92925-DP
DARK PEWTER
1 5/16" DIA
1 1/8" PROJ



K92925-PC
POLISHED CHROME
1 5/16" DIA
1 1/8" PROJ



K94723-SN
SATIN NICKEL
1 1/8" DIA
1 1/8" PROJ



K94723-BK
MATTE BLACK
1 1/8" DIA
1 1/8" PROJ



K94723-10B
OIL RUBBED BRONZE
1 1/8" DIA
1 1/8" PROJ



K94723-RG
ROSE GOLD
1 1/8" DIA
1 1/8" PROJ



K94723-DP
DARK PEWTER
1 1/8" DIA
1 1/8" PROJ



K94723-PC
POLISHED CHROME
1 1/8" DIA
1 1/8" PROJ

ITEM	MSRP
K92836	\$9.50
K92837	\$11.30
K92838	\$13.30
K92925	\$6.58
K94723	\$8.74



K92836-SN
SATIN NICKEL
4 5/8" L
96MM C/C



K92836-10B
OIL RUBBED BRONZE
4 5/8" L
96MM C/C



K92836-DP
DARK PEWTER
4 5/8" L
96MM C/C



K92837-SN
SATIN NICKEL
5 7/8" L
128MM C/C



K92837-10B
OIL RUBBED BRONZE
5 7/8" L
128MM C/C



K92837-DP
DARK PEWTER
5 7/8" L
128MM C/C



K92838-SN
SATIN NICKEL
7 1/8" L
160MM C/C



K92838-10B
OIL RUBBED BRONZE
7 1/8" L
160MM C/C



K92838-DP
DARK PEWTER
7 1/8" L
160MM C/C



K92836-BK
MATTE BLACK
4 5/8" L
96MM C/C



K92836-RG
ROSE GOLD
4 5/8" L
96MM C/C



K92836-PC
POLISHED CHROME
4 5/8" L
96MM C/C



K92837-BK
MATTE BLACK
5 7/8" L
128MM C/C



K92837-RG
ROSE GOLD
5 7/8" L
128MM C/C



K92837-PC
POLISHED CHROME
5 7/8" L
128MM C/C



K92838-BK
MATTE BLACK
7 1/8" L
160MM C/C



K92838-RG
ROSE GOLD
7 1/8" L
160MM C/C



K92838-PC
POLISHED CHROME
7 1/8" L
160MM C/C

STOCKPORT



K3219-96-ORB
OIL RUBBED BRONZE
4 5/8" L
96MM C/C



K3219-96-BYAB
BLACK YELLOW ANTIQUE BRASS
4 5/8" L
96MM C/C



K3219-96-BRN
BRUSHED NICKEL
4 5/8" L
96MM C/C



K3219-ORB
OIL RUBBED BRONZE
1 1/16" DIA
1" PROJ



K3219-BYAB
BLACK YELLOW ANTIQUE BRASS
1 1/16" DIA
1" PROJ



K3219-BRN
BRUSHED NICKEL
1 1/16" DIA
1" PROJ

ITEM	MSRP
K3219-ORB	\$5.98
K3219-BYAB	\$5.98
K3219-BRN	\$5.98
K3219-96-ORB	\$9.98
K3219-96-BYAB	\$9.98
K3219-96-BRN	\$9.98

ROWVILLE



K3235-96-BYAB
BLACK YELLOW ANTIQUE BRASS
5 1/8" L
96MM C/C



K3235-128-BYAB
BLACK YELLOW ANTIQUE BRASS
6 3/8" L
128MM C/C



K3235-96-ORB
OIL RUBBED BRONZE
5 1/8" L
96MM C/C



K3235-128-ORB
OIL RUBBED BRONZE
6 3/8" L
128MM C/C



K3235-96-BRN
BRUSHED NICKEL
5 1/8" L
96MM C/C



K3235-128-BRN
BRUSHED NICKEL
6 3/8" L
128MM C/C



K3235-96-BL
BLACK
5 1/8" L
96MM C/C



K3235-128-BL
BLACK
6 3/8" L
128MM C/C

ITEM	MSRP
K3235-96-BYAB	\$9.00
K3235-128-BYAB	\$9.98
K3235-96-ORB	\$9.00
K3235-128-ORB	\$9.98
K3235-96-BRN	\$9.00
K3235-128-BRN	\$9.98
K3235-96-BL	\$9.00
K3235-128-BL	\$9.98

H-Select

CHEYENNE



K3417-ORB
OIL RUBBED BRONZE
1 1/4" DIA
1" PROJ



K3417-BB
BURNISHED BRASS
1 1/4" DIA
1" PROJ



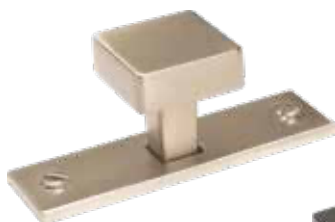
K3417-WN
WEATHERED NICKEL
1 1/4" DIA
1" PROJ



K3417-GOLD
GOLD
1 1/4" DIA
1" PROJ

ITEM	MSRP
K3417-ORB	\$5.00
K3417-BB	\$5.00
K3417-WN	\$5.00
K3417-GOLD	\$5.00

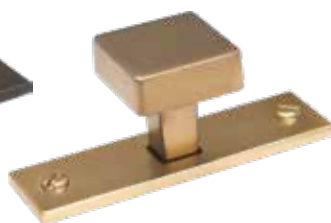
DENALI



K4618-BN
BRUSHED NICKEL
1" DIA
1 3/16" PROJ



K4618-SAB
SABLE
1" DIA
1 3/16" PROJ



K4618-HB
HONEY BRONZED
1" DIA
1 3/16" PROJ



K773-SN
SATIN NICKEL
5 1/4" L
96MM C/C



K773-SAB
SABLE
5 1/4" L
96MM C/C



K773-HB
HONEY BRONZED
5 1/4" L
96MM C/C

ITEM	MSRP
K4618-BN	\$7.00
K4618-SAB	\$7.00
K4618-HB	\$7.00
K773-SN	\$9.98
K773-SAB	\$9.98
K773-HB	\$9.98

INSPIRATION RING



K4118-WN
WEATHERED NICKEL
2" DIA
1 1/2" PROJ



K4118-BB
BURNISHED BRASS
2" DIA
1 1/2" PROJ



K4118-ORB
OIL RUBBED BRONZE
2" DIA
1 1/2" PROJ

ITEM	MSRP
K4118-WN	\$4.70
K4118-BB	\$4.70
K4118-ORB	\$4.70

H-Select

CLASSIC RING



K4318-BRPW
BRUSHED PEWTER
2" DIA
1" PROJ



K4318-BN
BRUSHED NICKEL
2" DIA
1" PROJ



K4318-AE
ANTIQUÉ ENGLISH
2" DIA
1" PROJ



K4318-ORB
OIL RUBBED BRONZE
2" DIA
1" PROJ

ITEM	MSRP
K4318-BRPW	\$4.70
K4318-BN	\$4.70
K4318-ORB	\$4.70
K4318-AE	\$4.70

LINCOLN



K4218-BB
BURNISHED BRASS
7/8" DIA
3/4" PROJ



K4218-WN
WEATHERED NICKEL
7/8" DIA
3/4" PROJ



K4218-ORB
OIL RUBBED BRONZE
7/8" DIA
3/4" PROJ

ITEM	MSRP
K4218-BB	\$3.98
K4218-WN	\$3.98
K4218-ORB	\$3.98

MISC. KNOBS



K2302-AS
ANTIQUÉ SILVER
1 1/2" DIA
1 1/8" PROJ



K4418-BN
BRUSHED NICKEL
3/4" DIA
15/16" PROJ



K4418-ORB
OIL RUBBED BRONZE
3/4" DIA
15/16" PROJ



K4418-BRPW
BRUSHED PEWTER
3/4" DIA
15/16" PROJ



K3217-DACM
DARK ANTIQUÉ COPPER MACHINED
1 1/4" DIA
1 1/8" PROJ



K4438-WI
WROUGHT IRON
1 1/2" DIA
1 1/4" PROJ

ITEM	MSRP
K2302-AS	\$5.50
K4418-BN	\$3.70
K4418-ORB	\$3.70
K4418-BRPW	\$3.70
K3217-DACM	\$5.20
K4438-WI	\$5.98

BOW



K2040-BL
BLACK
1 1/4" DIA
1 1/4" PROJ



K2040-OB
OIL BRONZE
1 1/4" DIA
1 1/4" PROJ



K2040-SN
SATIN NICKEL
1 1/4" DIA
1 1/4" PROJ



K2335-OB
OIL BRONZE
1 1/4" DIA
1" PROJ



K2335-WN
WEATHERED NICKEL
1 1/4" DIA
1" PROJ



K2029-BL
BLACK
6 1/8" L
128MM C/C



K2029-LAP
LIGHT ANTIQUÉ PEWTER
6 1/8" L
128MM C/C



K2029-OB
OIL BRONZE
6 1/8" L
128MM C/C



K2029-SN
SATIN NICKEL
6 1/8" L
128MM C/C



K2029-ABMD
ANTIQUÉ BRASS MACHINED DULL
6 1/8" L
128MM C/C

ITEM	MSRP
K2029-ABMD	\$9.00
K2029-BL	\$9.00
K2029-LAP	\$9.00
K2029-OB	\$9.00
K2029-SN	\$9.00
K2040-BL	\$4.80
K2040-OB	\$4.80
K2040-SN	\$4.80
K2335-OB	\$5.50
K2335-WN	\$5.50

AMERICANA



K88
LANCASTER ANTIQUE
1 1/4" DIA
3/4" PROJ



K88-B
PEWTER
1 1/4" DIA
3/4" PROJ



K282-AN
ANTIQUÉ NICKEL
2 1/8" DIA
7/8" PROJ



K330-AN
ANTIQUÉ NICKEL
7/8" DIA
1 1/8" PROJ



K87
LANCASTER ANTIQUE
4 1/8" L
3" C/C



K87-B
PEWTER
4 1/8" L
3" C/C



K87-SN
SATIN NICKEL
4 1/8" L
3" C/C

ITEM	MSRP
K87	\$5.30
K87-B	\$5.30
K87-SN	\$5.30
K88	\$4.30
K88-B	\$4.30
K282-AN	\$6.80
K330-AN	\$4.30

BELL IRON 1



K117-ABMD
ANTIQUÉ BRASS
MACHINED DULL
1 1/4" DIA
15/16" PROJ



K117-DACM
DARK BRUSHED
COPPER MACHINED
1 1/4" DIA
15/16" PROJ



K527-ABMD
ANTIQUÉ BRASS MACHINED DULL
4 1/2" L
96MM C/C



K117-DBAC
DARK BRUSHED
ANTIQUÉ COPPER
1 1/4" DIA
15/16" PROJ



K117-SIM
PEWTER
1 1/4" DIA
15/16" PROJ



K527-DACM
DARK BRUSHED COPPER MACHINED
4 1/2" L
96MM C/C



K527-DBAC
DARK BRUSHED ANTIQUÉ COPPER
4 1/2" L
96MM C/C



K527-SIM
PEWTER
4 1/2" L
96MM C/C

ITEM	MSRP
K117-ABMD	\$5.18
K117-DACM	\$5.18
K117-DBAC	\$5.18
K117-SIM	\$5.18
K527-ABMD	\$10.50
K527-DACM	\$10.50
K527-DBAC	\$10.50
K527-SIM	\$10.50

BELL IRON 2



K6303-RG
ROSE GOLD
1 3/8" DIA
1" PROJ



K6303-ABMD
ANTIQUÉ BRASS
MACHINED DULL
1 3/8" DIA
1" PROJ



K6303-DMAC
DARK MACHINED
ANTIQUÉ COPPER
1 3/8" DIA
1" PROJ



K6373-ABMD
ANTIQUÉ BRASS MACHINED DULL
4 1/2" L • 96MM C/C



K6303-MB
MATTE BLACK
1 3/8" DIA
1" PROJ



K6303-DACM
DARK BRUSHED
COPPER MACHINED
1 3/8" DIA • 1" PROJ



K6303-SIM
PEWTER
1 3/8" DIA
1" PROJ



K6373-DMAC
DARK MACHINED ANTIQUÉ COPPER
4 1/2" L • 96MM C/C



K6373-DACM
DARK BRUSHED COPPER MACHINED
4 1/2" L • 96MM C/C



K6373-RG
ROSE GOLD
4 1/2" L • 96MM C/C



K6373-MB
MATTE BLACK
4 1/2" L • 96MM C/C



K6373-SIM
PEWTER
4 1/2" L • 96MM C/C

ITEM	MSRP
K6303-ABMD	\$6.92
K6303-DACM	\$6.92
K6303-DMAC	\$6.92
K6303-SIM	\$6.92
K6303-RG	\$6.48
K6303-MB	\$6.48
K6373-ABMD	\$8.64
K6373-DACM	\$8.64
K6373-DMAC	\$8.64
K6373-SIM	\$8.64
K6373-DBAC	\$8.64
K6373-SN	\$8.64
K6373-RG	\$6.58
K6373-MB	\$6.58

H-Select

ADVANTAGE



K107-AEM
ANTIQUE ENGLISH
1 1/4" DIA
1" PROJ



K107-ASM
ANTIQUÉ SILVER
MACHINED
1 1/4" DIA
1" PROJ



K107-DBAC
DARK BRUSHED
ANTIQUÉ COPPER
1 1/4" DIA
1" PROJ



K107-ORB
OIL-RUBBED
BRONZE
1 1/4" DIA
1" PROJ



K107-SN
SATIN NICKEL
1 1/4" DIA
1" PROJ



K3898-DBAC
DARK BRUSHED
ANTIQUÉ COPPER
1 1/8" DIA
1 1/4" PROJ



K3898-DBN
BRIGHT NICKEL
BRUSHED DULL
1 1/8" DIA
1 1/4" PROJ



K3208-DBAC
DARK BRUSHED
ANTIQUÉ COPPER
4 1/4" L
3" C/C



K3208-SN
SATIN NICKEL
4 1/4" L
3" C/C



K3108-DBAC
DARK BRUSHED
ANTIQUÉ COPPER
5 1/4" L
3" C/C



K516-ASM
ANTIQUÉ SILVER
MACHINED
5 1/2" L
3" C/C



K3108-SN
SATIN NICKEL
5 1/4" L
3" C/C



K516-SN
SATIN NICKEL
5 1/2" L
3" C/C



K516-AEM
ANTIQUÉ ENGLISH
5 1/2" L
3" C/C



K516-DBAC
DARK BRUSHED
ANTIQUÉ COPPER
5 1/2" L
3" C/C



K3899-DBN
BRIGHT NICKEL
BRUSHED DULL
5 1/4" L
3" C/C



K3899-DBAC
DARK BRUSHED
ANTIQUÉ COPPER
5 1/4" L
3" C/C

ITEM	MSRP
K107-AEM	\$4.84
K107-ASM	\$4.84
K107-DBAC	\$4.84
K107-ORB	\$4.84
K107-SN	\$4.84
K516-AEM	\$4.84
K516-ASM	\$4.84
K516-DBAC	\$4.84
K516-SN	\$4.84
K3108-DBAC	\$5.00
K3108-SN	\$5.00
K3208-DBAC	\$5.00
K3208-SN	\$5.00
K3898-DBAC	\$4.58
K3898-DBN	\$4.58
K3899-DBAC	\$4.50
K3899-DBN	\$4.50

BOUNTIFUL



K6102-ORB
OIL-RUBBED BRONZE
1 1/4" DIA
1 1/8" PROJ



K6102-SN
SATIN NICKEL
1 1/4" DIA
1 1/8" PROJ



K6765-ORB
OIL-RUBBED BRONZE
5" L
3" C/C



K6765-SN
SATIN NICKEL
5" L
3" C/C

ITEM	MSRP
K6102-ORB	\$5.50
K6102-SN	\$5.50
K6765-ORB	\$5.98
K6765-SN	\$5.98

H-Select

BASKET WEAVE



K3062-ORB
OIL-RUBBED BRONZE
1 1/4" DIA
1" PROJ



K3062-SN
SATIN NICKEL
1 1/4" DIA
1" PROJ



K3062-SI
PEWTER
1 1/4" DIA
1" PROJ

ITEM	MSRP
K3062-ORB	\$5.70
K3062-SI	\$5.70
K3062-SN	\$5.70
K3063-ORB	\$7.50
K3063-SI	\$7.50
K3063-SN	\$7.50



K3063-ORB
OIL-RUBBED BRONZE
4 3/4" L
3" C/C



K3063-SN
SATIN NICKEL
4 3/4" L
3" C/C



K3063-SI
PEWTER
4 3/4" L
3" C/C

COUNTRY TIME



K6060-DBAC
DARK BRUSHED
ANTIQUÉ COPPER
1 1/4" DIA
1 3/8" PROJ



K6060-DBN
BRIGHT NICKEL
BRUSHED DULL
1 1/4" DIA
1 3/8" PROJ



Z117-DACM
DARK BRUSHED
COPPER MACHINED
1 1/4" DIA
1" PROJ



Z117-DBN
BRIGHT NICKEL
BRUSHED DULL
1 1/4" DIA
1" PROJ



Z117-SIM
PEWTER
1 1/4" DIA
1" PROJ

ITEM	MSRP
K260-DBAC	\$5.30
K260-DBN	\$5.30
K6060-DBAC	\$5.34
K6060-DBN	\$5.34
Z117-DACM	\$5.00
Z117-DBN	\$5.00
Z117-SIM	\$5.00



K260-DBAC
DARK BRUSHED ANTIQUÉ COPPER
3 3/4" L
3" C/C

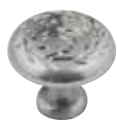


K260-DBN
BRIGHT NICKEL BRUSHED DULL
3 3/4" L
3" C/C

HARVEST



K6464-DBAC
DARK BRUSHED
ANTIQUÉ COPPER
1 1/4" DIA
1 1/8" PROJ



K6464-SN
SATIN NICKEL
1 1/4" DIA
1 1/8" PROJ

ITEM	MSRP
K6464-DBAC	\$6.30
K6464-SN	\$6.30
K6465-DBAC	\$7.98
K6465-SN	\$7.98



K6465-DBAC
DARK BRUSHED ANTIQUÉ
COPPER
5 5/8" L
3" C/C



K6465-SN
SATIN NICKEL
5 5/8" L
3" C/C

FLAIR



K196-ACM
ANTIQUE COPPER MACHINED
2 1/4" L
1 1/4" C/C



K196-DBAC
DARK BRUSHED ANTIQUE COPPER
2 1/4" L
1 1/4" C/C



K195-ACM
ANTIQUE COPPER MACHINED
4 7/8" L
96MM C/C



K195-DBAC
DARK BRUSHED ANTIQUE COPPER
4 7/8" L
96MM C/C

ITEM	MSRP
K195-ACM	\$7.98
K195-DBAC	\$7.98
K196-ACM	\$5.98
K196-DBAC	\$5.98

DELGADO



K519-ABSB
ANTIQUE BRUSHED
SATIN BRASS
1 1/2" L
1 1/4" PROJ



K519-DBAC
DARK BRUSHED
ANTIQUÉ COPPER
1 1/2" L
1 1/4" PROJ



K519-DBN
BRIGHT NICKEL
BRUSHED DULL
1 1/2" L
1 1/4" PROJ

ITEM	MSRP
K519-96ABSB	\$13.00
K519-96DBAC	\$13.00
K519-96DBN	\$13.00
K519-ABSB	\$7.00
K519-DBAC	\$7.00
K519-DBN	\$7.00



K519-96ABSB
ANTIQUE BRUSHED SATIN BRASS
4 1/4" L
96MM C/C



K519-96DBAC
DARK BRUSHED ANTIQUÉ COPPER
4 1/4" L
96MM C/C



K519-96DBN
BRIGHT NICKEL BRUSHED DULL
4 1/4" L
96MM C/C

ROCHESTER



K155-ABSB
ANTIQUE BRUSHED
SATIN BRASS
1 1/8" DIA
15/16" PROJ



K155-DBAC
DARK BRUSHED
ANTIQUÉ COPPER
1 1/8" DIA
15/16" PROJ



K155-DBN
BRIGHT NICKEL
BRUSHED DULL
1 1/8" DIA
15/16" PROJ



K155-SN
SATIN NICKEL
1 1/8" DIA
15/16" PROJ

ITEM	MSRP
K155-96ABSB	\$8.70
K155-96DBAC	\$8.70
K155-96DBN	\$8.70
K155-96SN	\$8.70
K155-ABSB	\$6.50
K155-DBAC	\$6.50
K155-DBN	\$6.50
K155-SN	\$6.50



K155-96ABSB
ANTIQUE BRUSHED SATIN BRASS
4 1/4" L
96MM C/C



K155-96DBAC
DARK BRUSHED ANTIQUÉ COPPER
4 1/4" L 96MM C/C



K155-96DBN
BRIGHT NICKEL BRUSHED
DULL
4 1/4" L
96MM C/C



K155-96SN
SATIN NICKEL
4 1/4" L 96MM C/C

H-Select

BALANCE



K2980-AB
ANTIQUE ENGLISH
1 1/4" DIA
1 1/8" PROJ



K2980-DACM
DARK BRUSHED
COPPER MACHINED
1 1/4" DIA
1 1/8" PROJ



K2980-SN
SATIN NICKEL
1 1/4" DIA
1 1/8" PROJ



K2980-DBAC
DARK BRUSHED
ANTIQUÉ COPPER
1 1/4" DIA
1 1/8" PROJ



K2980-ORB
OIL-RUBBED
BRONZE
1 1/4" DIA
1 1/8" PROJ



K2981-AB
ANTIQUE ENGLISH
3 3/4" L
3" C/C



K2981-DACM
DARK BRUSHED COPPER MACHINED
3 3/4" L
3" C/C



K2981-DBAC
DARK BRUSHED ANTIQUÉ COPPER
3 3/4" L
3" C/C



K2981-SN
SATIN NICKEL
3 3/4" L
3" C/C



K2981-ORB
OIL-RUBBED BRONZE
3 3/4" L
3" C/C

ITEM	MSRP
K2980-AB	\$5.12
K2980-DACM	\$5.12
K2980-DBAC	\$5.12
K2980-ORB	\$5.12
K2980-SN	\$5.12
K2981-AB	\$6.78
K2981-DACM	\$6.78
K2981-DBAC	\$6.78
K2981-ORB	\$6.78
K2981-SN	\$6.78

CLARK

ZINC DIE CAST



K801-B
PEWTER
1 1/8" DIA
1 1/8" PROJ



K800-SN
SATIN NICKEL
1 1/8" DIA
1 1/8" PROJ



K802-AE
ANTIQUE ENGLISH
1 1/8" DIA
1 1/8" PROJ



K803-BI
BLACK IRON
1 1/8" DIA
1 1/8" PROJ



K810-MB
MATTE BLACK
1 1/8" DIA
1 1/8" PROJ



K804-B
PEWTER
3 3/4" L
3" C/C



K805-SN
SATIN NICKEL
3 3/4" L
3" C/C



K806-AE
ANTIQUE ENGLISH
3 3/4" L
3" C/C



K807-BI
BLACK IRON
3 3/4" L
3" C/C



K811-MB
MATTE BLACK
3 3/4" L
3" C/C

ITEM	MSRP
K800-SN	\$1.96
K801-B	\$3.70
K802-AE	\$3.70
K803-BI	\$3.70
K804-B	\$5.50
K805-SN	\$5.50
K806-AE	\$5.50
K807-BI	\$5.50
K810-MB	\$1.96
K811-MB	\$5.50

BAR PULLS



K1001
BRUSHED NICKEL 1 9/16" L
1 3/8" PROJ



K1000
BRUSHED NICKEL
4 1/2" L
76MM C/C



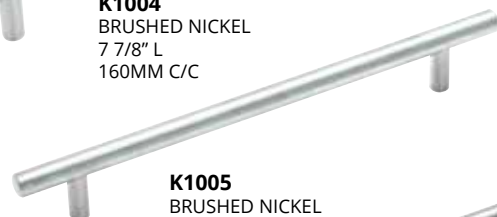
K1002
BRUSHED NICKEL
5 5/16" L
96MM C/C



K1003
BRUSHED NICKEL
6 5/8" L
128MM C/C



K1004
BRUSHED NICKEL
7 7/8" L
160MM C/C



K1005
BRUSHED NICKEL
9 1/8" L
192MM C/C



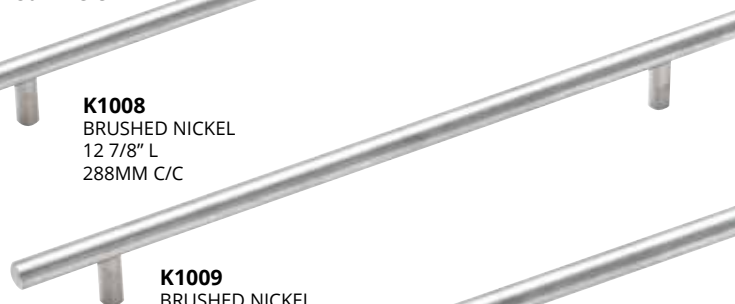
K1006
BRUSHED NICKEL
10 3/8" L
224MM C/C



K1007
BRUSHED NICKEL
11 5/8" L
256MM C/C



K1008
BRUSHED NICKEL
12 7/8" L
288MM C/C



K1009
BRUSHED NICKEL
14 3/16" L
320MM C/C



K1010
BRUSHED NICKEL
15 7/16" L
352MM C/C

ITEM	MSRP
K1000	\$6.50
K1001	\$2.70
K1002	\$6.70
K1003	\$7.00
K1004	\$7.70
K1005	\$8.30
K1006	\$8.90
K1007	\$9.20
K1008	\$9.70
K1009	\$10.30
K1010	\$11.58

H-Select

SLEEK & MODERN



K1216-SN
SATIN NICKEL
7/8" DIA
1" PROJ



K26-SN
SATIN NICKEL
1" DIA
15/16" PROJ



K8026-SN
SATIN NICKEL
1 3/4" L
3/4" PROJ



K515-SN
SATIN NICKEL
1 1/8" DIA
1" PROJ



K790-SN
SATIN NICKEL
1" DIA
1" PROJ



Z259-BL
BLACK
3 3/8" L
3" C/C



Z259-SN
SATIN NICKEL
3 3/8" L
3" C/C



K400-SN
SATIN NICKEL
4" L
3" C/C



K475-SN
SATIN NICKEL
4 3/4" L
96MM C/C



K3489-SN
SATIN NICKEL
4 1/2" L
3" C/C



K3489-MB
MATTE BLACK
4 1/2" L
3" C/C



K272-BL
BLACK
4 5/8" L
96MM C/C



K4690-SN
SATIN NICKEL
4 3/4" L
96MM C/C



K272-SN
SATIN NICKEL
4 5/8" L
96MM C/C



K2017-SN
SATIN NICKEL
5" L
96MM C/C



K2017-BL
BLACK
5" L
96MM C/C



K4655-SN
SATIN NICKEL
6 1/4" L
5" C/C



K4655-BLK
BLACK
6 1/4" L
5" C/C



K4655-AB
ANTIQUE ENGLISH
6 1/4" L
5" C/C



K5319-SN
SATIN NICKEL
14 1/8" L
12 1/2" C/C

ITEM	MSRP
K26-SN	\$5.50
K272-BL	\$5.10
K272-SN	\$5.10
K400-SN	\$7.50
K475-SN	\$7.30
K515-SN	\$3.98
K790-SN	\$4.50
K1216-SN	\$3.70
K2017-BL	\$4.70
K2017-SN	\$4.70
K3489-MB	\$6.00
K3489-SN	\$6.00
K4655-AB	\$7.50
K4655-BLK	\$7.50
K4655-SN	\$7.50
K4690-SN	\$5.98
K5319-SN	\$14.90
K8026-SN	\$3.70
Z259-BL	\$5.30
Z259-SN	\$5.30

H-Select

GLENDALE



K525-DBAC
DARK BRUSHED ANTIQUE
COPPER
1 1/16" SQ
1" PROJ



K525-DMAC
DARK MACHINED ANTIQUE
COPPER
1 1/16" SQ
1" PROJ



K525-SN
SATIN NICKEL
1 1/16" SQ
1" PROJ



K525-SIM
PEWTER
1 1/16" SQ
1" PROJ



K525-96DBAC
DARK BRUSHED
ANTIQUÉ COPPER
5" L
96MM C/C



K525-96DMAC
DARK MACHINED
ANTIQUÉ COPPER
5" L
96MM C/C



K525-96SN
SATIN NICKEL
5" L
96MM C/C



K525-96SIM
PEWTER
5" L
96MM C/C

ITEM	MSRP
K525-96DBAC	\$5.86
K525-96DMAC	\$5.86
K525-96SN	\$5.86
K525-96SIM	\$5.86
K525-DBAC	\$4.60
K525-DMAC	\$4.60
K525-SN	\$4.60
K525-SIM	\$4.60

KINGSPORT

ITEM	MSRP
K150-LP	\$6.96



K150-LP
LANCASTER ANTIQUE
2 7/8" X 4 1/4"
3 1/8" C/C

WHEAT



DRAWER BAIL PULL
K200-LP
LANCASTER ANTIQUE
2 5/8" X 4 1/2"
3" C/C



KNOB
K204-LP
LANCASTER ANTIQUE
1 1/4" DIA
1 1/4" PROJ



BAR HANDLE
K205-LP
LANCASTER ANTIQUE
4 1/4" L
3" C/C

ITEM	MSRP
K200-LP	\$5.50
K204-LP	\$5.50
K205-LP	\$5.50

OLD ENGLISH



K152-AE
ANTIQUÉ ENGLISH
4 3/4" L
3" C/C



K706-AE
ANTIQUÉ ENGLISH
4 7/8" L
3" C/C



K707-AE
ANTIQUÉ ENGLISH
4 1/4" L
2 1/2" C/C

ITEM	MSRP
K152-AE	\$6.20
K706-AE	\$6.20
K707-AE	\$6.20

H-Select

LAFAYETTE



K417-ABSB
ANTIQUE BRUSHED SATIN BRASS
1 3/8" DIA
1 1/4" PROJ



K417-DBAC
DARK BRUSHED ANTIQUE COPPER
1 3/8" DIA
1 1/4" PROJ



K417-DBN
BRIGHT NICKEL BRUSHED DULL
1 3/8" DIA
1 1/4" PROJ



K517-ABSB
ANTIQUE BRUSHED SATIN BRASS
1 3/8" DIA
1 1/4" PROJ



K517-DBAC
DARK BRUSHED ANTIQUE COPPER
1 3/8" DIA
1 1/4" PROJ



K517-DBN
BRIGHT NICKEL BRUSHED DULL
1 3/8" DIA
1 1/4" PROJ

ITEM	MSRP
K317-96ABSB	\$10.98
K317-96DBAC	\$10.98
K317-96DBN	\$10.98
K417-ABSB	\$10.44
K417-DBAC	\$10.44
K417-DBN	\$10.44
K517-ABSB	\$7.50
K517-DBAC	\$7.50
K517-DBN	\$7.50



K317-96ABSB
ANTIQUE BRUSHED SATIN BRASS
4 3/8" L
96MM C/C



K317-96DBAC
DARK BRUSHED ANTIQUE COPPER
4 3/8" L
96MM C/C



K317-96DBN
BRIGHT NICKEL BRUSHED DULL
4 3/8" L
96MM C/C

RICHELIEU



Knob
K147-AE
ANDOVER ANTIQUE
1 3/8" L
1 1/8" PROJ



BACKPLATE
K105-AE
ANDOVER ANTIQUE
1" X 4 1/8"

ITEM	MSRP
K105-AE	\$5.90
K147-AE	\$5.90

ANTIQUE ENGLISH



A76209-AE
ANTIQUE ENGLISH
1 1/8" DIA
1" PROJ



D89-AE
ANTIQUE ENGLISH
3/4" DIA
5/8" PROJ



D89-BL
BLACK
3/4" DIA
5/8" PROJ



K208-AE
ANTIQUE ENGLISH
1 1/8" DIA
3/4" PROJ

ITEM	MSRP
A76209-AE	\$3.78
D89-AE	\$3.18
D89-BL	\$3.18
K156-AE	\$5.70
K157-AE	\$5.70
K208-AE	\$3.50
K3208-AE	\$5.00
K703-AE	\$3.90
K763-AE	\$5.98



K157-AE
ANTIQUE ENGLISH
4 3/4" L
3" C/C



K703-AE
ANTIQUE ENGLISH
5 1/2" L



K763-AE
ANTIQUE ENGLISH
5 3/8" L
3" C/C



K3208-AE
ANTIQUE ENGLISH
4 1/4" L
3" C/C



K156-AE
ANTIQUE ENGLISH
4 1/2" L
3" C/C

H-Select

STICKLEY MISSION II

ZINC DIE CAST



D924-AC
ANTIQUE COPPER
3 3/4" X 1"
3" C/C



D924-AE
ANTIQUE ENGLISH
3 3/4" X 1"
3" C/C



D924-BL
BLACK
3 3/4" X 1"
3" C/C



D925-AC
ANTIQUE COPPER
1 5/8" X 3 1/2"
3" C/C



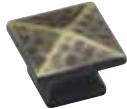
D925-AE
ANTIQUE ENGLISH
1 5/8" X 3 1/2"
3" C/C



D925-BL
BLACK
1 5/8" X 3 1/2"
3" C/C



D942-AC
ANTIQUE COPPER
1 1/4" SQ
7/8" PROJ



D942-AE
ANTIQUE ENGLISH
1 1/4" SQ
7/8" PROJ



D942-BL
BLACK
1 1/4" SQ
7/8" PROJ

ITEM	MSRP
D924-AC	\$7.10
D924-AE	\$7.10
D924-BL	\$7.10
D925-AC	\$7.50
D925-AE	\$7.50
D925-BL	\$7.50
D942-AC	\$5.98
D942-AE	\$5.98
D942-BL	\$5.98

PERIOD MISSION



D552-AC
ANTIQUE COPPER
4 1/2" X 1 1/4"
3" C/C



D552-BL
BLACK
4 1/2" X 1 1/4"
3" C/C



D552-ORB
OIL-RUBBED BRONZE
4 1/2" X 1 1/4"
3" C/C

ITEM	MSRP
D552-AC	\$7.30
D552-BL	\$7.30
D552-ORB	\$7.30
D553-AC	\$7.98
D553-BL	\$7.98
D553-ORB	\$7.98



D553-AC
ANTIQUE COPPER
1 1/4" X 4 1/2"
3" C/C



D553-BL
BLACK
1 1/4" X 4 1/2"
3" C/C



D553-ORB
OIL-RUBBED BRONZE
1 1/4" X 4 1/2"
3" C/C

TRADITIONAL MISSION

HEAVY DUTY BAILS



D527-A
BLACK
3 3/4" X 1"
2 1/4" C/C



D527-AE
ANTIQUE ENGLISH
3 3/4" X 1"
2 1/4" C/C



D527-B
PEWTER
3 3/4" X 1"
2 1/4" C/C

ITEM	MSRP
D527-A	\$4.30
D527-AE	\$4.30
D527-B	\$4.30
D528-A	\$5.26
D528-AE	\$5.26
D528-B	\$5.98
D529-A	\$5.78
D529-AE	\$5.78
D529-B	\$5.78



D528-A
BLACK
1 3/4" X 2 3/4"
1 1/8" C/C



D528-AE
ANTIQUE ENGLISH
1 3/4" X 2 3/4"
1 1/8" C/C



D528-B
PEWTER
1 3/4" X 2 3/4"
1 1/8" C/C



D529-A
BLACK
2" X 3 3/4"
3" C/C



D529-AE
ANTIQUE ENGLISH
2" X 3 3/4"
3" C/C



D529-B
PEWTER
2" X 3 3/4"
3" C/C

REFINED MISSION



D523-BL
BLACK
1 1/8" DIA
1" PROJ



D523-SN
SATIN NICKEL
1 1/8" DIA
1" PROJ



D523-W
WROUGHT IRON
1 1/8" DIA
1" PROJ



HH4425-BL
BLACK
1 1/4" DIA
1 1/8" PROJ



HH4425-WI
WROUGHT IRON
1 1/4" DIA
1 1/8" PROJ



HH4425-ORB
OIL RUBBED BRONZE
1 1/4" DIA
1 1/8" PROJ



HH4425-SN
SATIN NICKEL
1 1/4" DIA
1 1/8" PROJ



D521-BL
BLACK
4 1/16" L
3" C/C



D521-SN
SATIN NICKEL
4 1/16" L
3" C/C



D521-W
WROUGHT IRON
4 1/16" L
3" C/C



HH4424-BL
BLACK
4" L
3" C/C



HH4424-WI
WROUGHT IRON
4" L
3" C/C



HH4424-ORB
OIL RUBBED BRONZE
4" L
3" C/C



HH4424-SN
SATIN NICKEL
4" L
3" C/C

ITEM	MSRP
D521-BL	\$5.78
D521-SN	\$5.78
D521-W	\$5.78
D523-BL	\$4.50
D523-SN	\$4.50
D523-W	\$4.50
HH4424-BL	\$9.30
HH4424-WI	\$9.30
HH4424-ORB	\$9.30
HH4424-SN	\$9.30
HH4425-BL	\$6.30
HH4425-WI	\$6.30
HH4425-ORB	\$6.30
HH4425-SN	\$6.30

STICKLEY MISSION I

SOLID BRASS
PYRAMID HEAD SCREW (INCLUDED)



D526
BRASS
3 3/4" X 1 1/4"



D526-BL
BLACK IRON
3 3/4" X 1 1/4"



D526-AE
ANTIQUE ENGLISH
3 3/4" X 1 1/4"



D525
BRASS
1 1/2" X 3 1/8"



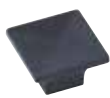
D525-BL
BLACK IRON
1 1/2" X 3 1/8"



D525-AE
ANTIQUE ENGLISH
1 1/2" X 3 1/8"



D542-AC
ANTIQUÉ COPPER
1 3/16" SQ
7/8" PROJ



D522-BL
BLACK
1 1/4" SQ
7/8" PROJ



D524-BI
BLACK CAST IRON
1 1/8" SQ
7/8" PROJ

ITEM	MSRP
D522-BL	\$7.00
D524-BI	\$7.90
D525	\$24.36
D525-AE	\$24.36
D525-BL	\$24.36
D526	\$19.48
D526-AE	\$19.48
D526-BL	\$19.48
D542-AC	\$17.40

HAMMERED MISSION



D550
ANTIQUÉ COPPER
1 3/4" X 3 1/2"
3" C/C



D550-A
BLACK
1 3/4" X 3 1/2"
3" C/C



D550-B
PEWTER
1 3/4" X 3 1/2"
3" C/C



D551
ANTIQUÉ COPPER
3 1/2" X 1 3/4"



D551-B
PEWTER
3 1/2" X 1 3/4"

ITEM	MSRP
D550	\$7.98
D550-A	\$7.98
D550-B	\$7.98
D551	\$7.98
D551-B	\$7.98

ELEGANT ART



D560-AP
ANTIQUÉ PEWTER
1 1/4" X 3 3/4"
2 1/8" C/C



D561-AP
ANTIQUÉ PEWTER
3 3/4" X 1 1/4"

ITEM	MSRP
D560-AP	\$9.30
D561-AP	\$9.30

LIBERTY MISSION



K8005
BLACK IRON
1 1/2" X 4 7/8"
4 1/4" C/C



K8006
BLACK IRON
4 7/8" X 1 1/2"
4 1/4" C/C

ITEM	MSRP
K8005	\$7.00
K8006	\$7.00

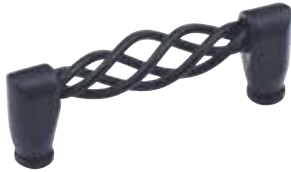
BIRDCAGE



K1350-DACM
DARK BRUSHED
COPPER MACHINED
2 1/4" L
1 3/8" PROJ



K1350-SIM
PEWTER
2 1/4" L
1 3/8" PROJ



K1300-DACM
DARK BRUSHED
COPPER MACHINED
3 1/2" L
3" C/C



K1300-SIM
PEWTER
3 1/2" L
3" C/C

ITEM	MSRP
K1300-DACM	\$6.20
K1300-SIM	\$6.20
K1350-DACM	\$3.50
K1350-SIM	\$3.50

IRON FORGE



K58-BL
MATTE BLACK
1 1/2" L
1 1/4" PROJ



K558-BL
MATTE BLACK
6" L
96MM C/C



K58-SI
SWEDISH IRON
1 1/2" L
1 1/4" PROJ



K558-SI
SWEDISH IRON
6" L
96MM C/C



K469-SIM
PEWTER
" L
MM C/C



K462-BL
MATTE BLACK
4 5/8" L
96MM C/C



K462-SIM
PEWTER
4 5/8" L
96MM C/C

ITEM	MSRP
K58-BL	\$4.90
K58-SI	\$4.90
K462-BL	\$11.30
K462-SIM	\$11.30
K558-BL	\$8.58
K558-SI	\$8.58
K469-SIM	\$4.50

OLD WORLD



K530-W
WINDOVER ANTIQUE
1 3/4" X 1 1/4"
1 1/4" PROJ



K089-W
WROUGHT IRON
4 3/4" L
3 5/8" C/C



K570-W
WROUGHT IRON
1" DIA
3/4" PROJ



K3248-W
WROUGHT IRON
1" DIA
7/8" PROJ



K1814-W
WROUGHT IRON
3/4" DIA
3/4" PROJ



K3222-W
WROUGHT IRON
1 7/8" X 1 7/16"
5/8" PROJ

ITEM	MSRP
K089-W	\$5.70
K530-W	\$5.00
K570-W	\$4.50
K1814-W	\$3.98
K3222-W	\$4.50
K3248-W	\$3.80

RUSTIC



K3272-DACM
DARK BRUSHED
COPPER MACHINED
1 3/16" L
1 1/4" PROJ



K3031-DACM
DARK BRUSHED COPPER MACHINED
2" DIA
1 1/8" PROJ



K3273-DACM
DARK BRUSHED
COPPER MACHINED
4 1/2" L
96MM C/C



K4240-96-BL
BLACK
4 1/2" L
96MM C/C



K4240-128-BL
BLACK
5 3/4" L
128MM C/C



K8900-5-BL
BLACK
6 1/4" L
5" C/C



K8900-12-BL
BLACK
13" L
11 15/16" C/C

ITEM	MSRP
K3031-DACM	\$5.90
K3272-DACM	\$5.50
K3273-DACM	\$8.90
K4240-96-BL	\$8.50
K4240-128-BL	\$9.00
K8900-5-BL	\$13.00
K8900-12-BL	\$35.90

TRANQUIL



K5302-AB
ANTIQUÉ BRASS/ WHITE
1 1/4" DIA
1" PROJ



K5302-AB-O
ANTIQUÉ BRASS/ OAK
1 1/4" DIA
1" PROJ



K5302-PB
POLISHED BRASS/ WHITE
1 1/4" DIA
1" PROJ



K5302-PB-O
POLISHED BRASS/ OAK
1 1/4" DIA
1" PROJ



P226
OATMEAL
1 1/4" DIA
7/8" PROJ



P220
WHITE
1" DIA
1" PROJ



P225
WHITE
1 1/4" DIA
7/8" PROJ



K5312-AB
ANTIQUÉ BRASS/ WHITE
5" L
3" C/C



K5312-PB
POLISHED BRASS/ WHITE
5" L
3" C/C



K5312-AB-O
ANTIQUÉ BRASS/ OAK
5" L
3" C/C



K5312-PB-O
POLISHED BRASS/ OAK
5" L
3" C/C

ITEM	MSRP
K5302-AB	\$5.00
K5302-AB-O	\$5.00
K5302-PB	\$5.00
K5302-PB-O	\$5.00
K5312-AB	\$7.70
K5312-AB-O	\$7.70
K5312-PB	\$7.70
K5312-PB-O	\$7.70
P220	\$4.80
P225	\$3.70
P226	\$3.70

H-Select

PALISADE



K3211-PB
BRASS PLATED
4 7/8" L
3" C/C



K3211-SN
SATIN NICKEL
4 7/8" L
3" C/C



K2910-SN
SATIN NICKEL
4 7/8" L
3" C/C

ITEM	MSRP
K3211-PB	\$5.98
K3211-SN	\$5.98
K2910-SN	\$5.98

WILLOW



K329-LP
LANCASTER ANTIQUE
3" X 4"
3" C/C



K8018-LP
LANCASTER ANTIQUE
1 7/8" X 1 1/2"



K321-LP
LANCASTER ANTIQUE
1 1/8" L
1" PROJ



BACKPLATE
K326-LP
LANCASTER ANTIQUE
1" X 5 1/2"

ITEM	MSRP
K321-LP	\$10.16
K326-LP	\$15.24
K329-LP	\$25.42
K8018-LP	\$8.88

SOLID BRASS



K6641-SN
SATIN NICKEL
3/4" DIA
3/4" PROJ



K6640
POLISHED BRASS
5/8" DIA
5/8" PROJ



K6641
POLISHED BRASS
3/4" DIA
3/4" PROJ



K6641-A
BLACK
3/4" DIA
3/4" PROJ

ITEM	MSRP
K15	\$9.98
K1884	\$7.30
K1908	\$15.50
K38	\$7.30
K39	\$15.22
K6640	\$5.50
K6641	\$5.50
K6641-A	\$5.50
K6641-SN	\$5.50



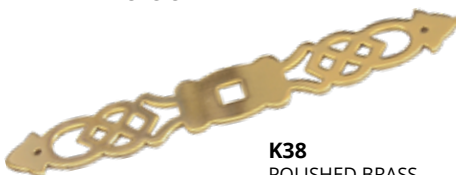
MOCK KEY
K1884
POLISHED BRASS
1 1/8" L
1" PROJ



K1908
POLISHED BRASS
4" X 4"
3" C/C



K15
POLISHED BRASS
4" L
3" C/C



K38
POLISHED BRASS
3/4" X 5 1/4"



BACKPLATE
K39
POLISHED BRASS
7/8" X 6 3/4"

MOCK KEY
K1884
POLISHED BRASS
1 1/8" L
1" PROJ

SHAKER KNOBS

- COMES WITH INSERTS
- END GRAIN



KR15-OAK
OAK
KR15-C
CHERRY
KR15-M
MAPLE
KR15-W
WALNUT
1 1/16" DIA
1 1/16" PROJ



KR15-BL
BLACK PAINT
1 1/16" DIA
1 1/16" PROJ



KR16-OAK
OAK
KR16-C
CHERRY
7/8" DIA
15/16" PROJ



KR16-BL
BLACK PAINT
7/8" DIA
15/16" PROJ

ITEM	MSRP
KR15-OAK	\$3.18
KR15-BL	\$3.18
KR15-C	\$3.18
KR15-M	\$3.18
KR15-W	\$3.18
KR16-OAK	\$2.58
KR16-C	\$2.58
KR16-BL	\$2.58

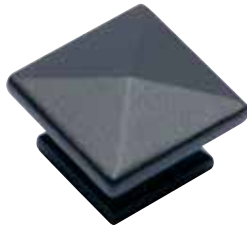
ORDER SCREWS SEPARATELY

MISSION

- COMES WITH INSERTS
- USE 8/32 BOLTS



K49-D
OAK
1 3/4" SQ



K49-B
OAK
1 1/4" SQ
K49-BC
CHERRY
1 1/4" SQ
K52-B
WALNUT
1 1/4" SQ
K53-BL
BLACK
1 1/4" SQ

ITEM	MSRP
K49-B	\$2.90
K49-BC	\$2.90
K49-D	\$3.16
K52-B	\$2.96
K53-BL	\$3.54

ORDER SCREWS SEPARATELY

PREMIUM MISSION

- COMES WITH INSERTS
- USE 8/32 BOLTS



K50-B
OAK
1 1/4" SQ
K51-B
CHERRY
1 1/4" SQ
K54-B
MAPLE
1 1/4" SQ



K50-C
OAK
1 1/2" SQ
K51-C
CHERRY
1 1/2" SQ
K54-C
MAPLE
1 1/2" SQ



K49-H
OAK
3" C/C

ITEM	MSRP
K49-H	\$5.98
K50-B	\$3.58
K50-C	\$3.74
K51-B	\$3.34
K51-C	\$3.40
K54-B	\$3.60
K54-C	\$3.80

DIAMOND MISSION

- USE WITH MISSION OR ANY OTHER CUSTOM DESIGNS
- COMES WITH INSERTS



**DIAMOND SHAPED WOOD KNOB
WITH DIAMOND FACE**
K70
WALNUT
1 1/2" X 2"
K70-A
OAK
1 1/2" X 2"

ITEM	MSRP
K70	\$4.86
K70-A	\$3.28

H-Select

WOOD KNOBS I

- COMES WITH INSERTS
- FACE GRAIN
- USE 8/32 BOLTS



K40-A
OAK
1" DIA

K45-A
CHERRY
1" DIA

K47-A
OAK
1" DIA

K41-A
BEECH
1" DIA

K46-A
WALNUT
1" DIA



K40-B
OAK
1 1/4" DIA

K47-B
OAK
1 1/4" SQ

K40-C
OAK
1 1/2" DIA

K47-C
OAK
1 1/2" SQ

K41-B
BEECH
1 1/4" DIA

K41-C
BEECH
1 1/2" DIA

K44-B
HICKORY
1 1/4" DIA

K45-C
CHERRY
1 1/2" DIA

K45-B
CHERRY
1 1/4" DIA

K46-C
WALNUT
1 1/2" DIA

K46-B
WALNUT
1 1/4" DIA

K55-C
MAPLE
1 1/2" DIA

K55-B
MAPLE
1 1/4" DIA

K56-C
QTR. SAWN W. OAK
1 1/2" DIA

K56-B
QTR. SAWN W. OAK
1 1/4" DIA

K57-B
GRAY ELM
1 1/4" DIA

ITEM	MSRP
K40-A	\$1.42
K40-B	\$1.90
K40-C	\$2.28
K41-A	\$1.92
K41-B	\$2.18
K41-C	\$1.92
K44-B	\$2.60
K45-A	\$1.40
K45-B	\$2.18
K45-C	\$1.92
K46-A	\$1.50
K46-B	\$2.10
K46-C	\$2.52
K47-A	\$1.20
K47-B	\$1.30
K47-C	\$1.50
K55-B	\$2.18
K55-C	\$2.28
K56-B	\$2.38
K56-C	\$2.18
K57-B	\$2.38

ORDER SCREWS SEPARATELY

WOOD KNOBS II

- COMES WITH INSERTS
- FACE GRAIN



OVAL SHAPED WOOD KNOB

K114-M
MAPLE
1 7/8" X 1 1/2"
1 1/16" PROJ

K114-O
OAK
1 7/8" X 1 1/2"
1 1/16" PROJ

ITEM	MSRP
K114-O	\$7.88
K114-M	\$7.56

ORDER SCREWS SEPARATELY

WOOD KNOBS IV



K4275
OAK
1 3/8" DIA

K4375
WALNUT
1 3/8" DIA



K4277
OAK
1 3/4" DIA

K4377
WALNUT
1 3/4" DIA



K4278
OAK
2" DIA

K4378
WALNUT
2" DIA

ITEM	MSRP
K4275	\$2.40
K4277	\$3.44
K4278	\$3.88
K4375	\$2.76
K4377	\$4.84
K4378	\$4.72

ORDER SCREWS SEPARATELY



BBW1
OAK
5 1/2" C/C, 7" W X 1 3/8" H



BBW8
OAK
3 3/4" C/C, 4 1/2" W X 7/8" H



BBW2
OAK
3 1/2" C/C, 5" W X 1 3/8" H



BBW9
OAK
3 3/4" C/C, 4 1/4" W X 1 3/4" H
BBW9-A
CHERRY
3 3/4" C/C, 4 1/4" W X 1 3/4" H



BBW4
OAK
5 1/2" C/C, 7" W X 1 3/8" H



BBW12
OAK
3" C/C, 5 1/2" W



BBW5
OAK
3 3/4" C/C, 5" W X 1 3/8" H

BBW5-A
CHERRY
3 3/4" C/C, 5" W X 1 3/8" H



BBW15
OAK
5" C/C, 7 1/4" W

ITEM	MSRP
BBW1	\$12.52
BBW2	\$7.86
BBW2-A	\$7.86
BBW4	\$7.90
BBW5	\$7.00
BBW5-A	\$8.00
BBW8	\$5.00
BBW9	\$6.26
BBW9-A	\$6.26
BBW12	\$15.68
BBW15	\$7.04

ORDER SCREWS SEPARATELY

HOOKS



Q15
SOLID BRASS
5" H
BASE 2" X 1 1/8"



Q30
ANTIQUÉ BRASS
5" H
BASE 2 3/8" X 7/16"



Q35
BLACK
5 1/2" H
BASE 1 3/8" X 2 1/4"



Q15-F
BLACK
5" H
BASE 2" X 1 1/8"



Q34
BLACK
5 1/2" H
BASE 2" X 1 1/16"



Q4
SOLID BRASS
4 1/2" H
BASE 1 3/8" X 1 1/4"



Q4-F
BLACK
4 1/2" H
BASE 1 3/8" X 1 1/4"

ITEM	MSRP
Q15	\$19.38
Q15-F	\$9.74
Q30	\$7.40
Q34	\$9.90
Q35	\$11.30
Q4	\$17.56
Q4-F	\$9.20

H-Select

ARTS AND CRAFTS

OLD CLASSIC

ITEM	MSRP
Q351	\$24.10
Q351-A	\$29.56
Q351-B	\$29.34

ITEM	MSRP
Q31	\$7.70
Q32-BL	\$7.70
Q33	\$7.70



Q351
SOLID BRASS
5 1/2" H
BASE 2 1/4" X 9/16"



Q351-A
OIL-RUBBED BRONZE
5 1/2" H
BASE 2 1/4" X 9/16"



Q351-B
SATIN NICKEL
5 1/2" H
BASE 2 1/4" X 9/16"



Q31
ANTIQUE BRASS
5 1/2" H
BASE 1 1/2" X 1 3/4"



Q32-BL
FLAT BLACK
5 1/2" H
BASE 1 1/2" X 1 3/4"



Q33
BRASS
5 1/2" H
BASE 1 1/2" X 1 3/4"

RETRO



Q29
BRASS
5 1/2" H
BASE 1 3/4" X 1"



Q29-AE
ANTIQUE ENGLISH
5 1/2" H
BASE 1 3/4" X 1"



Q29-BL
BLACK
5 1/2" H
BASE 1 3/4" X 1"



Q29-ORB
OIL-RUBBED
BRONZE
5 1/2" H
BASE 1 3/4" X 1"



Q29-SN
SATIN NICKEL
5 1/2" H
BASE 1 3/4" X 1"

ITEM	MSRP
Q29	\$7.50
Q29-AE	\$7.50
Q29-BL	\$7.50
Q29-ORB	\$7.50
Q29-SN	\$7.50

JEWELRY HOOKS



KB3
ANTIQUE BRASS
1 1/2" H
BASE 1 1/4" X 5/8"



KB3-SN
SATIN NICKEL
1 1/2" H
BASE 1 1/4" X 5/8"



KB3-BL
BLACK
1 1/2" H
BASE 1 1/4" X 5/8"



Q96-BL
BLACK
1 1/2" H
BASE 1 3/8" X 3/4"



Q96-ORB
OIL-RUBBED BRONZE
1 1/2" H
BASE 1 3/8" X 3/4"



Q96-SN
SATIN NICKEL
1 1/2" H
BASE 1 3/8" X 3/4"

ITEM	MSRP
KB3	\$2.70
KB3-SN	\$2.70
KB3-BL	\$2.70
Q96-BL	\$3.00
Q96-ORB	\$3.00
Q96-SN	\$3.00

COUNTRY LATCHES



D1618-AB
ANTIQUE BRASS
LATCH ~ 2 1/8" X 1 1/2"
CATCH ~ 2 1/8" X 5/8"



D1618-PB
POLISHED BRASS
LATCH ~ 2 1/8" X 1 1/2"
CATCH ~ 2 1/8" X 5/8"



D1618-AC
ANTIQUE COPPER
LATCH ~ 2 1/8" X 1 1/2"
CATCH ~ 2 1/8" X 5/8"



D1618-PN
NICKEL
LATCH ~ 2 1/8" X 1 1/2"
CATCH ~ 2 1/8" X 5/8"



D1618-ORB
OIL-RUBBED BRONZE
LATCH ~ 2 1/8" X 1 1/2"
CATCH ~ 2 1/8" X 5/8"

ITEM	MSRP
D1618-AB	\$13.50
D1618-PB	\$13.50
D1618-AC	\$13.50
D1618-PN	\$13.50
D1618-ORB	\$13.50

DESK CARD HOLDERS



F1401
STAMPED BRASS
1 1/4" X 2 3/8"



F1403
STAMPED BRASS
1 1/2" X 3 1/8"



FF6
POLISHED BRASS
1" X 2 1/4"
11/16" PROJ
■ SOLID BRASS



FF6-BL
BLACK
1" X 2 1/4"
11/16" PROJ
■ SOLID BRASS



FF6-SN
SATIN NICKEL
1" X 2 1/4"
11/16" PROJ
■ SOLID BRASS

ITEM	MSRP
F1401	\$7.66
F1403	\$9.28
FF6	\$8.78
FF6-BL	\$8.78
FF6-SN	\$8.78

GROMMETS



BG1-PB
POLISHED BRASS
2 1/2" HOLE
3" DIA



BG2-PBL
PLASTIC BLACK
2 1/2" HOLE
3" DIA



BG3-PB
POLISHED BRASS
1 9/16" HOLE
2" DIA



BG4-SN
BRUSHED NICKEL
2 1/2" HOLE
3" DIA



BG5-BL
BLACK
1 9/16" HOLE
2" DIA



BG6-SN
BRUSHED NICKEL
1 9/16" HOLE
2" DIA



BG7-O
OAK
2 1/2" HOLE
3" DIA



BG8-M
MAPLE
2 1/2" HOLE
3" DIA



BG9-BL
BLACK
2 1/2" HOLE
3" DIA

ITEM	MSRP
BG1-PB	\$9.90
BG2-PBL	\$5.00
BG3-PB	\$8.00
BG4-SN	\$10.20
BG5-BL	\$5.50
BG6-SN	\$5.28
BG7-O	\$11.76
BG8-M	\$11.76
BG9-BL	\$7.40

KEY HOLES



E1-AE
STAMPED BRASS
1" DIA



E1-PB
STAMPED BRASS
1" DIA



E3-AE
STAMPED BRASS
1 1/8" X 1 1/2"



E3-PB
STAMPED BRASS
1 1/8" X 1 1/2"

ITEM	MSRP
E1-AE	\$3.78
E1-PB	\$3.78
E3-AE	\$4.14
E3-PB	\$3.78

CHEVEL MIRROR MOUNTS I

SOLID BRASS CHEVEL MIRROR MOUNT

- INCLUDES 3 1/2" BOLTS W/ FRICTION WASHERS AND NUT



MM5-B
POLISHED BRASS

ITEM	1 PR
MM5-B	\$16.18

CHEVEL MIRROR MOUNTS II

ZINC DIE CAST CHEVEL MIRRORS MOUNTS

- 2 1/2" BOLTS COMES W/ FRICTION WASHERS AND NUT



M6-AB
ANTIQU BRASS



M6-BL
BLACK



M6-SN
SATIN NICKEL

ITEM	1 PR
M6-AB	\$10.22
M6-BL	\$9.94
M6-SN	\$9.94

DECORATIVE HINGES - NON SELF-CLOSING

- FULL WRAP AROUND HINGE - FULL INSET
- FOR 3/4" FRAME & 3/4" DOOR, 270° OPENING
- STYLISH TIPS FOR SHAKER STYLE CABINETS WITH RAISED PANEL DOORS
- NON-MORTISE HINGE QUICKLY INSTALLS & YIELDS MINIMAL DOOR GAP
- #6 X 5/8" FLAT HEAD SCREW RECOMMENDED FOR ATTACHMENT TO FRAME AND #6 X 1/2" FLAT HEAD SCREW RECOMMENDED FOR DOOR ATTACHMENT
- SLOTTED HOLES PROVIDE HORIZONTAL & VERTICAL ADJUSTMENT



MINARET TIP FULL WRAP AROUND HINGE - FULL INSET
V0138-DBAC
DARK BRUSHED ANTIQUE COPPER
V0138-MB
MATTE BLACK
V0138-SN
SATIN NICKEL
V0138-AB
ANTIQU BRASS
V0138-WI
WROUGHT IRON



BALL TIP FULL WRAP AROUND HINGE - FULL INSET
V0128-AB
ANTIQU BRASS
V0128-DBAC
DARK BRUSHED ANTIQU COPPER
V0128-MB
MATTE BLACK
V0128-SN
SATIN NICKEL
V0128-WI
WROUGHT IRON



MINARET TIP PARTIAL WRAP AROUND HINGE - FULL INSET
V0148-AB
ANTIQU BRASS
V0148-DBAC
DARK BRUSHED ANTIQU COPPER
V0148-MB
MATTE BLACK
V0148-SN
SATIN NICKEL
V0148-WI
WROUGHT IRON

ITEM	MSRP
V0128-AB	\$5.10
V0128-DBAC	\$5.10
V0128-MB	\$5.10
V0128-SN	\$5.10
V0138-AB	\$5.10
V0138-DBAC	\$5.10
V0138-MB	\$5.10
V0138-SN	\$5.10
V0148-AB	\$5.10
V0148-DBAC	\$5.10
V0148-MB	\$5.10
V0148-SN	\$5.10
V0128-WI	\$5.10
V0138-WI	\$5.10
V0148-WI	\$5.10

BIFOLD LOCKING HINGES



VBF10
2 1/2" H X 2 1/4" W
 ■ LOCKS OPEN OR CLOSED DOORS
 ■ HEAVY DUTY CONSTRUCTION

ITEM	MSRP
VBF10	\$8.48

H HINGES



V15-BL
BLACK
1 1/2" X 3 1/2"
 ■ INCLUDES SCREWS



V16-AB
ANTIQUE BRASS
1 1/2" X 3 1/2"

ITEM	MSRP
V149-AE	\$4.50
V15-BL	\$2.52
V16-AB	\$2.30
V19-AE	\$2.70
V25-AE	\$4.50
V25-BL	\$3.30



V19-AE
ANTIQUE ENGLISH
1 1/2" X 3 1/2"



V25-AE
ANTIQUE ENGLISH
2 1/2" H



V25-BL
BLACK
2 1/2" H



V149-AE
ANTIQUE ENGLISH
1 1/2" X 1 1/2"
 ■ FINIAL TIP

HINGE I

SELF CLOSING SPRING



V11-AB
ANTIQUE BRASS
3/8" INSET



V30-AE
ANTIQUE ENGLISH
3/8" INSET



V73-BL
BLACK
3/8" INSET

ITEM	SOLD IN	1 PR
V11-AB	PAIRS	\$5.98
V30-AE	PAIRS	\$5.98
V73-BL	PAIRS	\$7.00

HINGE III

SELF CLOSING SPRING



V10
POLISHED BRASS
FLUSH



V32-AE
ANTIQUE ENGLISH
FLUSH



V73-A
BLACK
FLUSH

ITEM	SOLD IN	1 PR
V10	PAIRS	\$5.98
V32-AE	PAIRS	\$5.98
V73-A	PAIRS	\$7.00

HINGE IV



V148-BL
BLACK



V148-SN
SATIN NICKEL



V148-WI
WROUGHT IRON

ITEM	MSRP
V148-BL	\$10.00
V148-SN	\$10.00
V148-WI	\$10.00

SELF-CLOSING HINGES



V21-AB
ANTIQUÉ BRASS

- SEMI-CONCEALED
- 3/8" INSET WRAP AROUND



V22-AB
ANTIQUÉ BRASS
1/2" OVERLAY
■ WRAP AROUND HINGES
■ ADJUSTABLE MOUNTING HOLES

ITEM	SOLD IN	1 PR
V21-AB	PAIRS	\$9.50
V22-AB	PAIRS	\$9.50

YOUNGDALE KNIFE HINGES



V120
ANTIQUÉ BRASS
#4 = 3/8" INSET



V120-BL
BLACK
#4 = 3/8" INSET



V120-RB
OIL RUBBED BRONZE
#4 = 3/8" INSET

ITEM	SOLD IN	1 PR
V120	PAIRS	\$9.86
V120-RB	PAIRS	\$9.86
V120-BL	PAIRS	\$19.32
V120-NI	PAIRS	\$9.66
V120-W	PAIRS	\$13.38
V123	PAIRS	\$9.86
V125	PAIRS	\$9.86
V126	PAIRS	\$9.86



V120-NI
NICKEL
#4 = 3/8" INSET



V120-W
WHITE
#4 = 3/8" INSET



V123
ANTIQUÉ BRASS
#3 = 1/4" OVERLAY



V125
ANTIQUÉ BRASS
#5 = 5/16" OVERLAY



V126
ANTIQUÉ BRASS
#6 = 1/2" OVERLAY

FLUSH HINGE

- THREE-WAY ADJUSTABLE
- 90° ANGLE OF OPENING
- 35MM DIAMETER DRILL BIT NEEDED FOR INSTALLATION
- 12MM CUP DEPTH
- SCREWS INCLUDED
- SCREW ON WITH CHIP BOARD SCREWS 3 X 13MM



V170-AB
ANTIQUE BRASS

ITEM	MSRP
V170-AB	\$13.42

SEWING MACHINE HINGES



V50-DAB
DARK ANTIQUE BRONZE
1 1/4" W X 3 1/8" L



V116-PB
POLISHED BRASS
1 3/16" W X 2 13/16" L



V116-AE
ANTIQUENGLISH
1 3/16" W X 2 13/16" L



V100-BZ
BRONZE
1 3/16" W X 2 9/16" L

ITEM	MSRP
V50-DAB	\$2.50
V116-PB	\$9.00
V116-AE	\$9.00
V100-BZ	\$16.08

BUTLER TRAY HINGES

- LEAF SPRING LOCKS HINGE AT 90° AND 180°
- SCREWS INCLUDED
- SIZE FULLY OPENED: 1 1/2" HIGH X 2 7/8" WIDE



V2010
HEAVY EXTRUDED BRASS



V2010-BL
BLACK

ITEM	SOLD IN	1 PR
V2010	PAIRS	\$23.90
V2010-BL	PAIRS	\$23.90

NO MORTISE HINGES



BH16-A
ANTIQUENGLISH
2" H
BH16-BL
BLACK
2" H



V20-DAB
DARK ANTIQUE BRONZE
LID HINGE FOR 3/4" WOOD



BH14-DAB
2" H LARGE LEAF 7/8" W
BH14-BL
2" H LARGE LEAF 7/8" W
BH15-DAB
2 1/2" H LARGE LEAF 1" W
BH15A-DAB
3" H LARGE LEAF 1 1/16" W
■ FINIAL TIP

ITEM	MSRP
BH14-DAB	\$2.60
BH14-BL	\$2.60
BH15-DAB	\$2.60
BH15A-DAB	\$3.98
BH16-A	\$2.20
BH16-BL	\$2.98
V20-DAB	\$4.30

OVERLAY DOOR HINGE



V76-BL
BLACK

- HINGE FOR 270°
- WILL ALLOW CABINET DOORS TO FOLD AT SIDES

ITEM	MSRP
V76-BL	\$6.20

BUTTERFLY HINGE



H110
BRASS PLATED STEEL
2" H X 2 1/4" L

ITEM	MSRP
H110	\$6.76

PIE SAFE TINS

HERSHBERGER'S HARDWARE IS A DISTRIBUTOR FOR IRVIN'S TINS!

- HIGHEST QUALITY PIE SAFE TINS ON THE MARKET
- LACQUERED FINISH, NO PEEL OFF PLASTIC
- FRESH NEW DESIGNS
- SIZE 10" X 14"

ITEM	MSRP
PST24-C	\$28.00
PST24-BT	\$16.50
PST25-C	\$28.00
PST25-BT	\$16.50
PST26-AT	\$16.50
PST26-BT	\$16.50
PST26-C	\$28.00
PST27-AT	\$16.50
PST27-C	\$28.00



**FEDERAL STAR
PST26-AT**
ANTIQUÉ TIN



**FEDERAL STAR
PST26-C**
ANTIQUÉ COPPER



**FEDERAL STAR
PST26-BT**
BLACKENED TIN



**3 STAR EMBOSSED
PST27-AT**
ANTIQUÉ TIN



**3 STAR EMBOSSED
PST27-C**
ANTIQUÉ COPPER



**WHEAT
PST24-BT**
BLACKENED TIN



**WHEAT
PST24-C**
ANTIQUÉ COPPER



**WHEAT
PST25-BT**
BLACKENED TIN



**WHEAT
PST25-C**
ANTIQUÉ COPPER

SELF-ADHESIVE FELT

- GREAT FOR LINING GUN CABINETS, JEWELRY BOXES, ETC. FELT IS EASY-TO-USE
- JUST CUT TO SIZE, PEEL OFF BACK AND STICK IN PLACE!
- AVAILABLE IN BLACK OR GREEN
- SOLD BY THE RUNNING FOOT (54" ROLL WIDTH)

ITEM	SOLD BY	1 FT
AFBL-4	FOOT	\$19.98
AFGR-1	FOOT	\$25.00



AFBL-4
BLACK
AFGR-1
GREEN

CUSTOM ORDERS

- WE WILL ALSO FILL YOUR CUSTOM ORDERS
- GIVE US YOUR SIZE AND WE'LL CUT TO FIT!
(SQUARE OR ROUNDS ONLY - 100 PIECE MINIMUM)



PRIDE
DÉCOR[®]

Charleston

AVAILABLE FINISHES



P90396-10B
96MM CC
4 1/2" Long



K92230-10B
Square Knob
1 1/10" Long



K92430-10B
Square Knob
1 1/2" Long

Item	MSRP
K92230	\$4.16
K92430	\$5.16
P90396	\$11.52

Charlotte

AVAILABLE FINISHES



P81092-BK
96MM CC
4 5/8" Long



P82092-BK
128MM CC
5 1/2" Long



P83092-BK
160MM CC
6 3/4" Long



PA5208-BK
8" CC
8 1/2" Long



PA5212-BK
12" CC
12 5/8" Long



K81091-BK
Square Knob
1" Long

Note: P82092 and P83092 are available only in SN, RG, PC, BK, or 10B Finishes. PA5208 and PA52012 are available only in BK, RG, or SN Finishes.

Item	MSRP
K81091	\$4.12
P81092	\$5.56
P82092	\$5.62
P83092	\$8.64
PA5208	\$17.24
PA52012	\$40.02

Florence

AVAILABLE FINISHES



P95096-RG
96MM CC
5 1/4" Long



P95128-RG
128MM CC
6 1/2" Long



P95160-RG
160MM CC
7 1/2" Long



K93002-RG
Square Knob
1 1/2" Long

Item	MSRP
K93002	\$10.50
P95096	\$27.80
P95128	\$32.32
P95160	\$36.86

Madison

AVAILABLE FINISHES



BK 10B DP RG SN PC



P93096-DP
96MM CC
4 1/2" Long

P93128-DP
128MM CC
6" Long

P93160-DP
160MM CC
7 1/4" Long

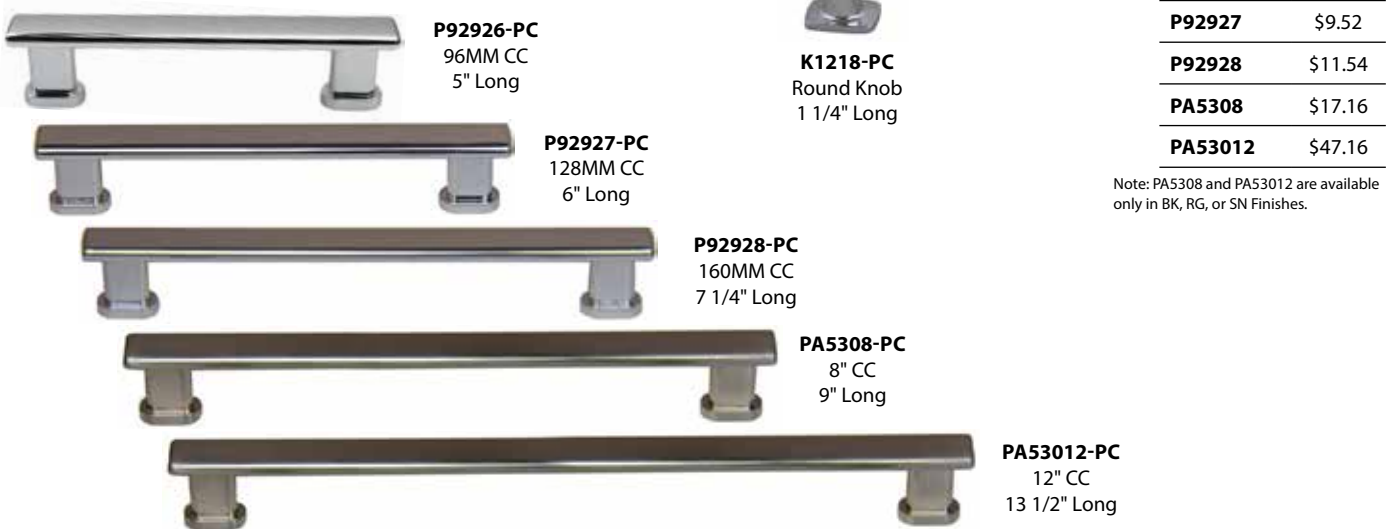
Item	MSRP
P93096	\$7.54
P93128	\$8.84
P93160	\$10.42

Manhattan

AVAILABLE FINISHES



BK 10B DP RG SN PC



P92926-PC
96MM CC
5" Long

P92927-PC
128MM CC
6" Long

P92928-PC
160MM CC
7 1/4" Long

PA5308-PC
8" CC
9" Long

PA53012-PC
12" CC
13 1/2" Long



K1218-PC
Round Knob
1 1/4" Long

Item	MSRP
K1218	\$5.84
P92926	\$7.94
P92927	\$9.52
P92928	\$11.54
PA5308	\$17.16
PA53012	\$47.16

Note: PA5308 and PA53012 are available only in BK, RG, or SN Finishes.

Miami

AVAILABLE FINISHES



BK 10B DP RG SN PC



P80572-RG
96MM CC
4 3/4" Long

P81572-RG
128MM CC
5 7/8" Long

P83572-RG
160MM CC
7 1/2" Long

PA5108-RG
8" CC
9" Long

PA51012-RG
12" CC
13 3/4" Long



K83125-RG
Square Knob
1" Long

Item	MSRP
K83125	\$3.74
P80572	\$7.16
P81572	\$8.38
P83572	\$10.98
PA5108	\$12.94
PA51012	\$52.12

Note: P81572 and P83572 are not available in 10B Finish. PA5108 and PA51012 are available only in BK, RG, or SN Finishes.

Milan

AVAILABLE FINISHES

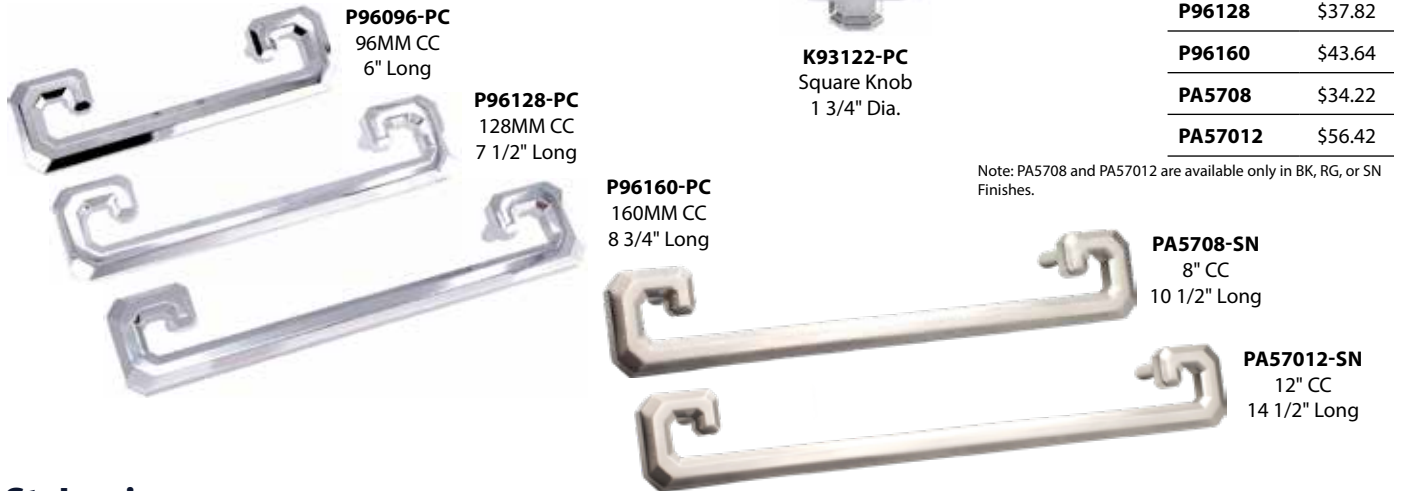


Note: PA5808 and PA58012 are available only in BK, RG, or SN Finishes.

Item	MSRP
P94096	\$8.04
P94128	\$10.10
P94160	\$12.02
P94210	\$14.50
PA5808	\$15.98
PA58012	\$36.52

Monaco

AVAILABLE FINISHES



Note: PA5708 and PA57012 are available only in BK, RG, or SN Finishes.

Item	MSRP
K93122	\$17.62
P96096	\$32.98
P96128	\$37.82
P96160	\$43.64
PA5708	\$34.22
PA57012	\$56.42

St. Louis

AVAILABLE FINISHES



Note: K91090, P1496, P1497, and P1498 are available only in 10B, RG, or SN Finishes.

Item	MSRP
K81361	\$4.34
K91090	\$7.02
P91496	\$7.14
P91497	\$8.70
P91498	\$10.92

Vail

AVAILABLE FINISHES



BK 10B DP RG SN PC



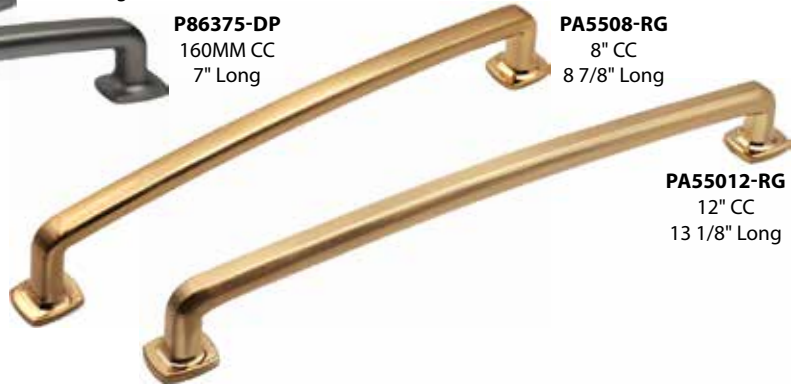
P86373-DP
96MM CC
4 1/2" Long



P86374-DP
128MM CC
5 3/4" Long



P86375-DP
160MM CC
7" Long



PA5508-RG
8" CC
8 7/8" Long

PA55012-RG
12" CC
13 1/8" Long

Note: PA5508 and PA55012 are available only in BK, RG, or SN Finishes.

Item	MSRP
P86373	\$5.92
P86374	\$8.14
P86375	\$10.92
PA5508	\$15.90
PA55012	\$54.02

Valencia

AVAILABLE FINISHES



BK 10B DP RG SN PC



P97096-SN
96MM CC
4 1/2" Long



K95003-SN
Square Knob
1" Long



P97128-SN
128MM CC
6" Long



P97160-SN
160MM CC
7 1/4" Long

Item	MSRP
K95003	\$5.36
P97096	\$8.72
P97128	\$11.98
P97160	\$14.54

Washington

AVAILABLE FINISHES



10B RG SN



P91296-10B
96MM CC
5 1/4" Long



P91297-10B
128MM CC
6" Long



P91298-10B
160MM CC
7 3/4" Long

Item	MSRP
P91296	\$8.02
P91297	\$9.52
P91298	\$12.20

Arch Pulls



P50S-SN
96MM CC
4 1/2" Long

P29255-SS
128MM CC
6" Long

P50M-BN
128MM CC
6" Long

P50-160-BK
160MM CC
7 3/8" Long

P50SG-SN
320MM CC
14" Long

Item	MSRP
P29255-SS	\$9.08
P50S	\$3.60
P50M	\$4.32
P50-160-BK	\$4.92
P50SG-SN	\$9.40

Note: P50S is available only in BK or SN Finishes. P50M is available in 10B, BK, BN, DN, PC, SC, or SN Finishes.

Bar Pulls



Bar Pulls

AVAILABLE FINISHES



P104-PC
64MM CC
4 17/32" Long



P106-PC
3" CC
6" Long



P1096-PC
96MM CC
6" Long



P107-SN
128MM CC
7" Long



P108-PC
5" CC
8" Long



P109-SN
192MM CC
9" Long



P110-PC
7" CC
10" Long



P112-PC
9" CC
12" Long



P114-SN
11" CC
14" Long

P116-SN
13" CC
16" Long

P120-SN
15" CC
18" Long

P124-SN
21" CC
24" Long

P128-SN
25" CC
28" Long

P118-SN
15" CC
18" Long

P122-SN
19" CC
22" Long

P126-SN
23" CC
26" Long

P130-SN
27" CC
30" Long



K102-PC
Knob
2" Long

Item	MSRP
K102	\$2.50
P104	\$3.90
P106	\$4.74
P1096	\$4.74
P107	\$3.76
P108	\$5.64
P109	\$4.44
P110	\$6.40
P112	\$7.30
P114	\$8.20
P116	\$9.00
P118	\$9.48
P120	\$10.52
P122	\$10.70
P124	\$12.12
P126	\$12.54
P128	\$13.56
P130	\$14.58

Note: K102 and P112 are available only in 10B, BK, PC, RG, or SN Finishes. P104 is available only in BK, PC, RG, or SN Finishes. P1096 is also available in PB, SB, or SS Finishes. P114 is available only in BK, RG, or SN Finishes. P116 is available only 10B, RG, or SN Finishes. P120 and P124 are available only in 10B or SN Finishes. P107, P109, P118, P122, P126, P128, and P130 are available only in SN Finish.

Bar Pulls - Stainless Steel



P105-SS
3" CC
5 1/2" Long

P1096-SS
96MM CC
6" Long

P1096H-BK
96MM CC
6" Long

P1096H-SS
96MM CC
6" Long

P1068H-SS
128MM CC
6 3/4" Long

P107-SS
128MM CC
7 7/16" Long



K102-SS
Knob
2" Long

P108H-SS
128MM CC
8" Long

P109-SS
192MM CC
9 7/8" Long

P113-SS
256MM CC
13 1/4" Long

P115-SS
320MM CC
15 3/4" Long

P119-SS
416MM CC
19 1/2" Long

P122-SS
19" CC
22" Long

P124-SS
21" CC
24" Long

P128-SS
25" CC
28" Long

P133-SS
768MM CC
33 1/4" Long

Item	MSRP
K102-SS	\$5.26
P105-SS	\$10.74
P1096-SS	\$11.78
P1096H-BK	\$2.30
P1096H-SS	\$2.20
P1068H-SS	\$2.40
P107-SS	\$13.06
P108H-SS	\$2.54
P109-SS	\$15.36
P113-SS	\$19.34
P115-SS	\$23.10
P119-SS	\$28.22
P122-SS	\$30.90
P124-SS	\$33.58
P128-SS	\$38.96
P-133.SS	\$45.50

Bar Pulls - Unique



P81837-DN
128MM CC
6 1/2" Long

P0136-BK
3" CC
5 1/2" Long

P0146-SN
96MM CC
5 3/4" Long

P0178-SN
128MM CC
7" Long

P242-SN
192MM CC
9 1/2" Long

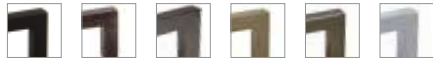
P370-SN
370MM CC
14.5" Long

Item	MSRP
P81837-DN	\$5.96
P0136	\$2.56
P0146-SN	\$2.66
P0178-SN	\$2.98
P242-SN	\$3.14
P370-SN	\$3.42

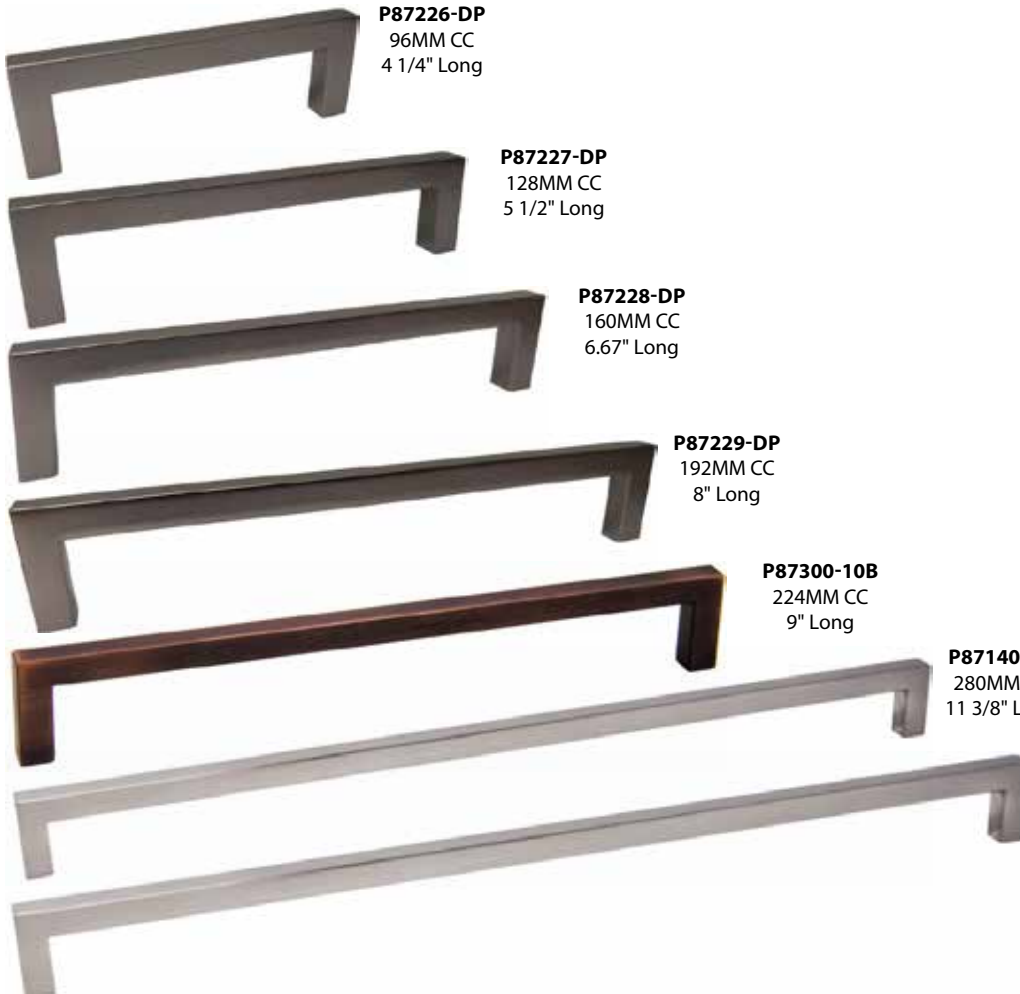
Note: P0136 is also available in SN Finish.

Square Pulls

AVAILABLE FINISHES



BK 10B DP RG SN PC



P87226-DP
96MM CC
4 1/4" Long

P87227-DP
128MM CC
5 1/2" Long

P87228-DP
160MM CC
6.67" Long

P87229-DP
192MM CC
8" Long

P87300-10B
224MM CC
9" Long

P87140-SN
280MM CC
11 3/8" Long

P87328-SN
320MM CC
13" Long

Item	MSRP
P87226	\$6.28
P87227	\$7.70
P87228	\$9.16
P87229	\$10.90
P87300	\$12.90
P87328	\$15.44
P87140	\$16.16

Note: P87300 is available only in 10B, MB, or SN Finishes. P97140, P87328, and P90196 are available only in SN Finish.

Modern

AVAILABLE FINISHES



BK 10B SN PC



P81456-10B
96MM CC
4" Long



P81458-10B
128MM CC
5 1/2" Long



P21768-10B
128MM CC
5 3/4" Long



P82234-10B
96MM CC
4" Long



P82034-10B
128MM CC
5 1/2" Long



P81235-10B
160MM CC
6 3/4" Long



P82103-10B
96MM CC
5 1/2" Long



P82104-10B
128MM CC
6 3/4" Long



P82106-SN
160MM CC
8" Long



P87215-10B
96MM CC
4 1/4" Long



P87216-10B
128MM CC
5 1/2" Long



P87218-10B
160MM CC
6 3/4" Long



P81541-10B
96MM CC
4 3/4" Long



P81542-10B
128MM CC
5 1/2" Long

Item	MSRP
P81456	\$8.66
P81458	\$10.76
P21768	\$5.90
P82234	\$4.42
P82034	\$5.02
P81235	\$7.08
P82103	\$4.10
P82104	\$5.34
P82106-SN	\$6.14
P87215	\$4.40
P87216	\$4.84
P87218	\$6.96
P81541	\$4.92
P81542	\$6.10

Note: P21768 is not available in BK Finish. P81541 is not available in BK Finish. P81542 is not available in BK or SN Finishes.

Tab Pulls

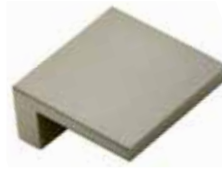
AVAILABLE FINISHES



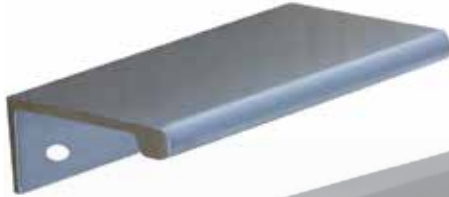
BK SG SN PC



P80014-SN
33MM CC
2" Long



K1667
Bar Knob
1 3/4" Long



P1876-SN
60MM CC
3" Long



P80215-SN
96MM CC
5 3/4" Long



P80846-SN
96MM CC
6 3/4" Long



P80846-128-SN
128MM CC
6 3/4" Long



P1803-SN
46MM CC
3" Long



P1806-SN
112MM CC
6" Long



P1809-SN
189MM CC
9" Long



P1812-SN
132MM CC (x2)
12" Long

Item	MSRP
P1803	\$5.00
P1806	\$8.56
P1809	\$13.48
P1812	\$17.34
P1876	\$5.84
P80014	\$4.56
K1667	\$6.64
P80215	\$5.62
P80846	\$4.48
P80846-128	\$5.26

Note: P1876 is not available in SG Finish.

Traditional

AVAILABLE FINISHES



DACM 10B APH ABSB RG SN



P86718-ABSB
128MM CC
5 3/4" Long



K86618-ABSB
Deco Knob
2 1/2" Long



K972-ABSB
Rope Knob
1 1/5" Dia.

Item	MSRP
K86618	\$4.64
P86718	\$6.60
K972	\$3.62

Note: K972 is not available in RG Finish.

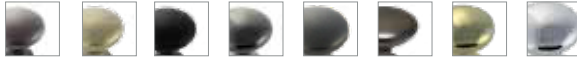
Traditional Knobs

K971 AVAILABLE FINISHES



BK 10B ACM RG BNMDL SIM SN PC

K910 AVAILABLE FINISHES



10B AB BK BN DACM DP PB PC



RG SB SC SN WT



K971-10B
Spherical Knob
1 3/8" Dia.



K910-10B
Diecast Knob
1 1/16" Dia.



K810-SN
Mini Mushroom Knob
1" Dia.

Item	MSRP
K971	\$4.10
K910	\$2.76
K810-SN	\$1.86

Traditional Furniture Pulls

AVAILABLE FINISHES



APH SN



P81929-APH
128MM CC
5 3/8" Long



K82929-APH
Craftsman Knob
1/4" Dia.



P81393-SN
96MM CC
4 7/8" Long



P82393-SN
Diamond Knob
1 3/8" Long

Item	MSRP
K82393-SN	\$4.48
P81393-SN	\$9.58
K82929	\$4.48
P81929	\$11.70



AMERICAN DINER

AVAILABLE FINISHES



P2140-SN
Small Knob
1" Dia.



P2142-SN
Large Knob
1 3/8" Dia.

ITEM	MSRP
P2140	\$12.72
P2141	\$22.88
P2142	\$16.50
P2143	\$17.80
P2144	\$22.88

NOTE: P2144 is not available in VB Finish.



P2143-SN
3" C/C



P2141-SN
96MM C/C



P2144-SN
3" & 96MM C/C

BRIDGES

AVAILABLE FINISHES



P3230-SN
1 5/32" SQ
1" PROJ

ITEM	MSRP
P3230	\$16.50
P3231	\$16.52
P3232	\$21.58



P3231-SN
3" C/C, 3 5/8" L



P3232-SN
96MM C/C, 4 7/16" L

BUNGALOW

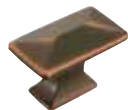
AVAILABLE FINISHES



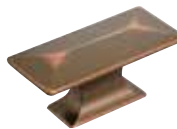
P2153-OBH
3" & 96MM C/C



P2150-OBH
Small Knob
1 1/4" L



P2151-OBH
Medium Knob
1 3/4" L



P2152-OBH
Large Knob
2 5/16" L

ITEM	MSRP
P2150	\$11.40
P2151	\$17.80
P2152	\$17.80
P2153	\$24.12

CHARLESTON BLACKSMITH

AVAILABLE FINISHES



P1311-RI
Knob
1 1/2" Dia.



P1312-RI
Knob
1 1/4" Dia.

ITEM	MSRP
PA1322	\$13.60
PA1323	\$12.08
PA1311	\$8.38
PA1312	\$9.64
PA1321	\$11.06



P1321-RI
3" C/C
3 3/4" L



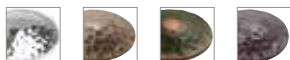
PA1322-RI
3" C/C, 4 3/8" L



PA1323-RI
3" C/C, 4 1/2" L

CRAFTSMAN

AVAILABLE FINISHES



CH WOA OBH BI



P2174-WOA
96MM C/C



P2172-WOA
Square Knob
1 1/4" SQ



P2170-WOA
Round Knob
1 1/4" Dia.



P2171-WOA
3" C/C



P2173-WOA
96MM C/C

ITEM	MSRP
P2170	\$16.52
P2171	\$20.32
P2172	\$17.78
P2173	\$26.68
P2174	\$21.60

CREST

AVAILABLE FINISHES



SN CH FUB



H076127-CH
Square Knob
1 1/4" Dia.



H076128-CH
Round Knob
1 1/4" Dia.



H076129-CH
3" C/C
3 1/2" L



H076130-CH
96MM C/C
4" L



H076131-CH
128MM C/C
5 9/16" L



H076132-CH
160MM C/C
6 13/16" L



H076133-CH
192MM C/C
8 1/16" L



H076134-CH
224MM C/C
9 5/16" L



H076135-CH
12" C/C
12 1/2" L

ITEM	MSRP
H076127	\$13.96
H076128	\$13.96
H076129	\$15.24
H076130	\$19.04
H076131	\$20.32
H076132	\$25.40
H076133	\$36.84
H076134	\$48.24
H076135	\$60.96

EURO CONTEMPORARY

AVAILABLE FINISHES

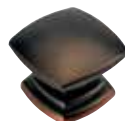


SN OBH



P2164-OBH
4" C/C
7" L

P2165-OBH
128MM C/C
9" L



P2163-OBH
Square knob
1 1/2" SQ

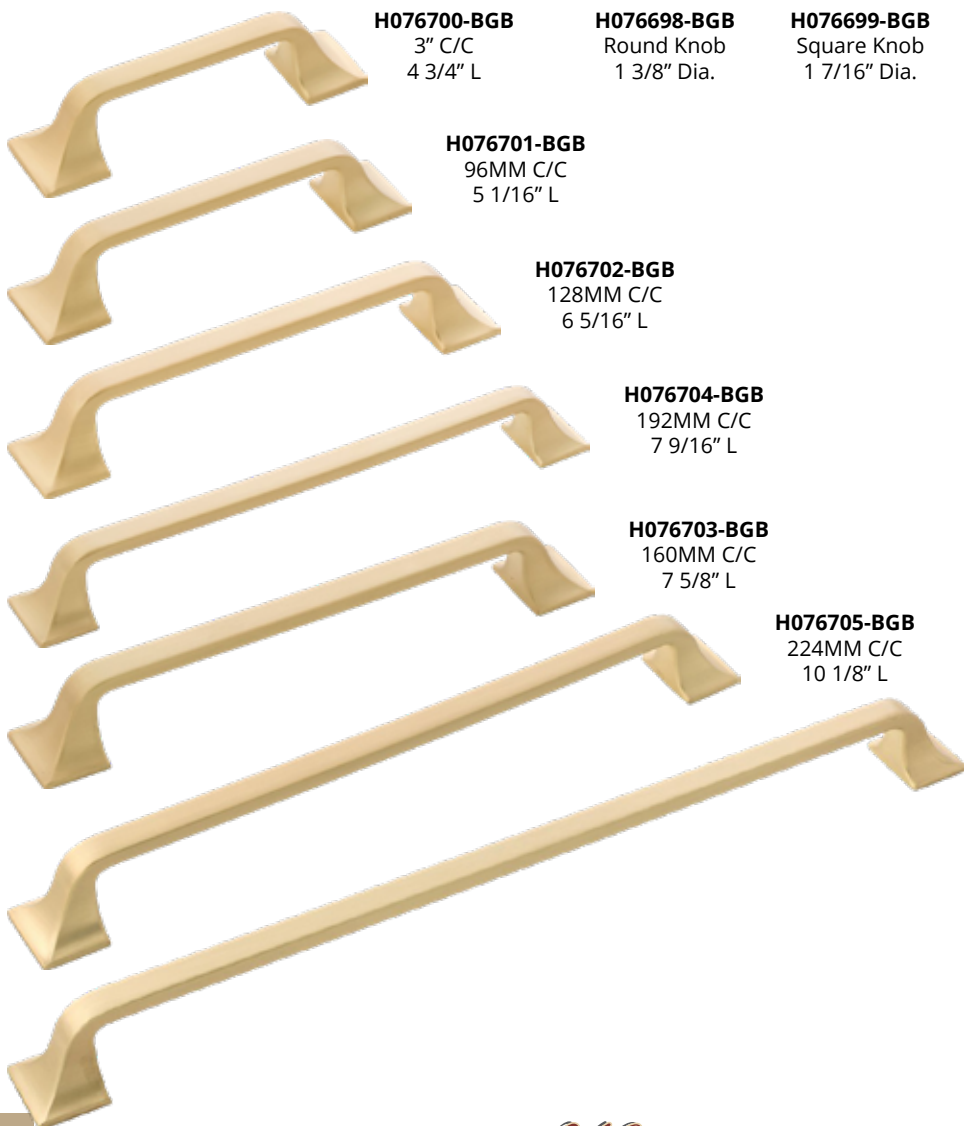
ITEM	MSRP
P2163	\$19.04
P2164	\$24.12
P2165	\$27.96

FORGE

AVAILABLE FINISHES



SN CH BGB CP VB BI



H076700-BGB
3" C/C
4 3/4" L

H076698-BGB
Round Knob
1 3/8" Dia.

H076699-BGB
Square Knob
1 7/16" Dia.

H076701-BGB
96MM C/C
5 1/16" L

H076702-BGB
128MM C/C
6 5/16" L

H076704-BGB
192MM C/C
7 9/16" L

H076703-BGB
160MM C/C
7 5/8" L

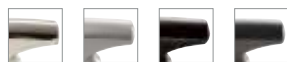
H076705-BGB
224MM C/C
10 1/8" L

H076706-BGB
12" C/C
13 3/8" L

ITEM	MSRP
H076698	\$15.24
H076699	\$16.52
H076700	\$17.80
H076701	\$19.04
H076702	\$24.12
H076703	\$33.00
H076704	\$47.00
H076705	\$69.84
H076706	\$88.88

GREENWICH

AVAILABLE FINISHES



14 SS WOA 10B



P3372-SS
Knob
1 11/16" Dia.



P3370-SS
96MM C/C
4 1/4" L



P3371-SS
128MM C/C
6 3/8" L



P3041-SS
224MM C/C
10" L



P3374-SS
12" C/C
13 1/4" L



P3375-SS
18" C/C
19 1/4" L

ITEM	MSRP
P3041	\$23.00
P3370	\$17.80
P3371	\$22.88
P3372	\$13.96
P3374	\$71.12
P3375	\$130.24

KNOBS

AVAILABLE FINISHES



SN MB



P2712-MB
Small Knob
1" Dia.



PA1218-MB
Large Knob
1 1/4" Dia.



PA1217-SN
Small Knob
1" Dia.

ITEM	MSRP
P2712	\$8.88
PA1217	\$11.40
PA1218	\$11.40

NOTE: P2712 is only available in MB Finish. PA1217 is only available in SN Finish.

LUNA

AVAILABLE FINISHES



SN MB VB



P3448-VB
3" C/C
4 1/8" L

ITEM	MSRP
P3448	\$12.70

MANCHESTER

AVAILABLE FINISHES



P2014-RI
2 1/8" L X 1 1/2"W

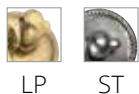


P2023-RI
96MM C/C
4 1/8" L

ITEM	MSRP
P2014	\$22.88
P2023	\$20.32

MANOR HOUSE

AVAILABLE FINISHES



MOCK KEY
P321-ST
1" PROJ



P329-ST
3" C/C



P8049-ST
3" C/C, 4" L



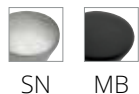
BACKPLATE
P326-ST
5 1/2" L X 1" W

ITEM	MSRP
P321	\$10.16
P326	\$15.24
P329	\$25.40
P8049	\$22.88

NOTE: P321, P326, and P329 are not available in DAC Finish.

METROPOLIS

AVAILABLE FINISHES



P2922-SN
96MM C/C



P2921-SN
2 9/16" C/C



PA0221-SN
96MM C/C, 4 3/4" L



P7522-SN
96MM C/C, 5 1/2" L



P3221-SN
128MM C/C, 6 3/8" L



P7523-SN
Oblong Knob
1 5/8" L



PA0213-SN
Small Knob
1" Dia.

ITEM	MSRP
P2921	\$12.70
P2922	\$12.70
P7522	\$17.80
P7523	\$11.42
PA0213	\$12.70
PA0221	\$12.70

NOTE: PA0221, P3221, P7522 and P7523 are only available in SN Finish.

MOUNTAIN LODGE

AVAILABLE FINISHES



P3062-WOA
Square Knob
1 1/4" SQ



P3063-WOA
Round Knob
1 1/4" Dia.



P3061-WOA
Round Knob
1 1/4" Dia.



P3060-WOA
3" C/C

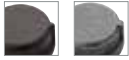


P3064-WOA
96MM C/C

ITEM	MSRP
P3060	\$9.04
P3061	\$17.78
P3062	\$17.78
P3063	\$17.78
P3064	\$21.60

PIPELINE

AVAILABLE FINISHES



VB BNV



HH075028-BNV
1 1/4" Dia.



HH076013-BNV
3" C/C, 3 3/4" L



HH076011-BNV
96mm C/C, 4 1/2" L



HH076012-BNV
128mm C/C, 5 3/4" L



HH075010-BNV
160mm C/C, 7" L

ITEM	MSRP
HH075010	\$36.84
HH075028	\$16.52
HH076011	\$26.68
HH076012	\$30.48
HH076013	\$21.60

RALEIGH

AVAILABLE FINISHES



PN SN WOA OBH

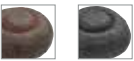


P3111-WOA
5" C/C, 5 3/4" L

ITEM	MSRP
P3111	\$22.88

REFINED RUSTIC

AVAILABLE FINISHES



RI BL



P3002-BL
1 1/4" Dia.



P3003-BL
1 1/2" Dia.

ITEM	MSRP
P3000	\$21.58
P3001	\$17.80
P3002	\$17.78
P3003	\$19.04
P3004	\$24.12



P3001-BL
3" C/C, 4 3/4" L



P3000-BL
96MM C/C, 5 1/2" L



P3004-BL
3" & 96MM C/C, 5 1/2" L

ROCHESTER

AVAILABLE FINISHES



PN SN OBH



P3112-SN
96 MM C/C, 4 1/4" L



P3114-SN
96 MM C/C, 4 1/8" L

ITEM	MSRP
P3112	\$19.04
P3114	\$16.52

SOMERSET

AVAILABLE FINISHES



SN BNV DAC

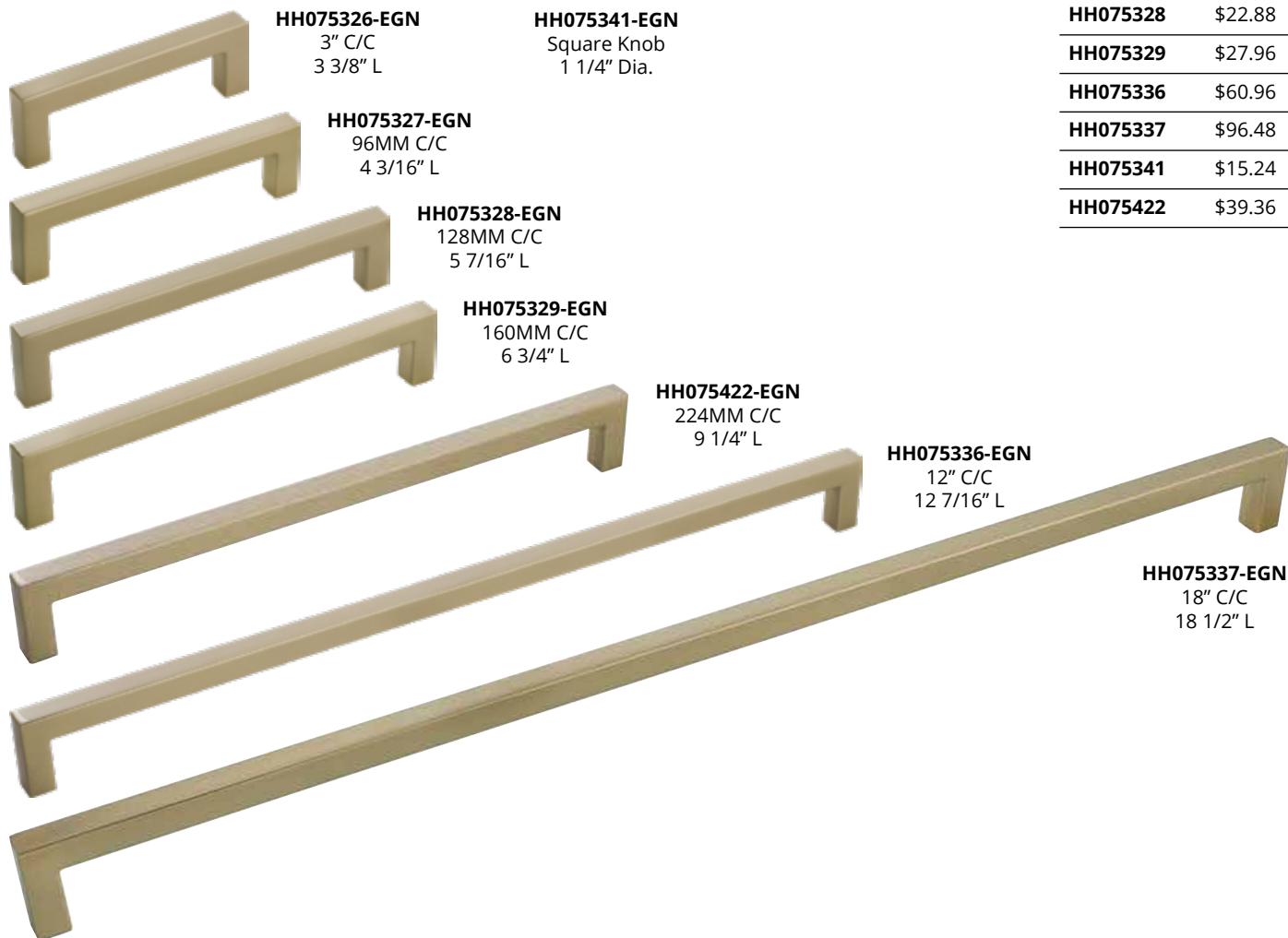


74554-DAC
1 1/8" SQ

ITEM	MSRP
74554	\$11.40

SKYLIGHT

AVAILABLE FINISHES



HH075326-EGN

3" C/C
3 3/8" L

HH075341-EGN

Square Knob
1 1/4" Dia.

HH075327-EGN

96MM C/C
4 3/16" L

HH075328-EGN

128MM C/C
5 7/16" L

HH075329-EGN

160MM C/C
6 3/4" L

HH075422-EGN

224MM C/C
9 1/4" L

HH075336-EGN

12" C/C
12 7/16" L

HH075337-EGN

18" C/C
18 1/2" L

ITEM	MSRP
HH075326	\$17.80
HH075327	\$19.04
HH075328	\$22.88
HH075329	\$27.96
HH075336	\$60.96
HH075337	\$96.48
HH075341	\$15.24
HH075422	\$39.36

BELWITH

STUDIO

AVAILABLE FINISHES



P3010-OBH

3" C/C

P3014-OBH

Small Knob
1" SQ

P3011-OBH

96MM C/C

P3015-OBH

Large Knob
1 1/4" SQ

P3013-OBH

3" & 96MM C/C

ITEM	MSRP
P3010	\$21.60
P3011	\$26.68
P3013	\$24.12
P3014	\$17.80
P3015	\$17.80

NOTE: P3014 is only available in PN, SN, and OBH Finishes.

TWIST

AVAILABLE FINISHES



BI SN EGN PN



H076014-SN
1 1/4" Dia.



H076015-SN
3" C/C
3 5/8" L



H076016-SN
96mm C/C
4 7/16" L



H076017-SN
128mm C/C
5 11/16" L



H076018-SN
160mm C/C
6 15/16" L



H076019-SN
192mm C/C
8 1/4" L



H076020-SN
224mm C/C
9 9/16" L



H076021-SN
12" C/C
12 11/16" L

ITEM	MSRP
H076014	\$15.24
H076015	\$17.80
H076016	\$21.60
H076017	\$26.68
H076018	\$36.84
H076019	\$55.88
H076020	\$68.56
H076021	\$92.70

ZEPHYR

AVAILABLE FINISHES



SN OBH SS



P2286-SN
Small Knob
1" Dia.



P2283-SN
Large Knob
1 1/4" Dia.



P2280-SN
3" C/C



P2281-SN
96MM C/C



P2282-SN
128MM C/C

ITEM	MSRP
P2280	\$13.96
P2281	\$17.80
P2282	\$24.12
P2283	\$19.04
P2286	\$15.24

CRAFTSMAN

AVAILABLE FINISHES



CH WOA BI OBH

ITEM	MSRP
P2175	\$36.82

P2175-BI
HOOK
1 3/8" C/C
5 1/16" L X 2" W



BUNGALOW

AVAILABLE FINISHES



SN WOA OBH 10B PN

ITEM	MSRP
P2155	\$38.08

P2155-WOA
HOOK
1 1/2" C/C
5" L X 2" W



FORGE SIGNATURE HOOKS

AVAILABLE FINISHES



SN CH BGB BI

ITEM	MSRP
S077190	\$20.32

S077190-BGB
HOOK
1 1/2" C/C
2 3/4" L X 2" W



PIPELINE SIGNATURE HOOKS

AVAILABLE FINISHES



BNV VB

ITEM	MSRP
S077188	\$21.60

S077188-BNV
HOOK
1 1/2" C/C
2 1/2" L X 1 1/8" W



SKYLIGHT SIGNATURE HOOKS

AVAILABLE FINISHES



14 SS BGB VB

ITEM	MSRP
S077192	\$31.74

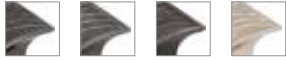
S077192-14
HOOK
1" C/C
4 7/8" L X 1 1/22" W



JEFFREY ALEXANDER[®]
by Hardware Resources

Aberdeen

AVAILABLE FINISHES



BNB BNBDL DBAC SN



535-96-BNB
3 3/4" CC
5" Long



536-96-BNB
3 3/4" CC cup pull
5" Long



535-128-BNB
5" CC
6 1/4" Long



536-128-BNB
5" CC cup pull
6 1/4" Long



535-160-BNB
6 1/4" CC
5 5/8" Long



535-BNB
Square Knob
1 1/4" Dia.



535L-BNB
Oblong Knob
1 1/2" Dia.

Item	MSRP
535	\$8.70
535L	\$8.70
535-96	\$15.42
536-96	\$17.34
535-128	\$21.40
536-128	\$25.34
535-160	\$26.36

Alvar

AVAILABLE FINISHES



PC BNBDL DBAC SN NI SBZ MB



264-3-SBZ
3" CC
3 11/16" Long



264-96-SBZ
3 3/4" CC
5 7/16" Long



264-128-SBZ
5" CC
5 3/4" Long



264-160-SBZ
6 1/4" CC
7" Long



264-192-SBZ
7 9/16" CC
8 1/4" Long

Item	MSRP
264-3	\$6.94
264-96	\$7.84
264-128	\$9.06
264-160	\$11.24
264-192	\$13.40

Annadale

AVAILABLE FINISHES



SN DBAC BNBDL DACM MB



435-DACM
Square knob
1 1/4" Dia.



435L-DACM
Oblong knob
1 1/2" Dia.



435-96-DACM
3 3/4" CC
5" Long



435-128-DACM
5" CC
6 1/4" Long



435-160-DACM
6 1/4" CC
7 5/8" Long



436-96-DACM
3 3/4" CC cup pull
5" Long



436-128-DACM
5" CC cup pull
6 1/4" Long

Item	MSRP
435	\$9.40
435L	\$9.40
435-96	\$14.02
436-96	\$17.40
435-128	\$21.88
436-128	\$26.44
435-160	\$27.52

Anwick

AVAILABLE FINISHES



BNBDL DBAC NI SN



867-SN
Oblong Knob
1 3/8" Dia.



867L-SN
Square Knob
1 1/8" Dia.

867-3-SN
3" CC
4 5/16" Long



867-96-SN
3 3/4" CC
5 1/8" Long



867-128-SN
5" CC
6 3/8" Long



867-160-SN
6 1/4" CC
7 5/8" Long



867-228-SN
9" CC
10 5/16" Long



867-320-SN
12 5/8" CC
13 15/16" Long



Item	MSRP
867	\$8.64
867L	\$8.96
867-3	\$10.40
867-96	\$13.40
867-128	\$18.68
867-160	\$21.18
867-228	\$30.24
867-320	\$52.44

Audrey

AVAILABLE FINISHES



MB BNBDL DBAC SBZ BG SN PC

Item	MSRP
278	\$6.50
278L	\$8.84
278-96	\$9.72
278-128	\$11.62
278-160	\$14.46
278-192	\$15.96
278-224	\$20.22
278-12	\$116.68
278-305	\$53.60
278-18	\$146.46



278-96-SBZ
96MM CC
4 1/4" Long



278-128-SBZ
128MM CC
5 9/16" Long



278-160-SBZ
160MM CC
6 13/16" Long



278-192-SBZ
192MM CC
8 1/16" Long



278-224-SBZ
224MM CC
9 3/8" Long



278-12-SBZ
12" CC
12 5/8" Long



278-305-SBZ
305MM CC
12 9/16" Long



278-18-SBZ
18" CC
18 3/4" Long



278-SN
Square Knob
1 1/8" Dia.



278L-SBZ
Square Knob
1 3/8" Dia.

Belcastel 1

AVAILABLE FINISHES



MO6373-BNBDL
3 3/4" CC
4 5/8" Long



MO6373-128-BNBDL
5" CC
5 7/8" Long



MO6373-160-BNBDL
6 1/4" CC
7 1/8" Long



MO6373-12-BNBDL
12" CC appliance pull
13 1/4" Long



MO6373-18-BNBDL
18" CC appliance pull
19 1/4" Long

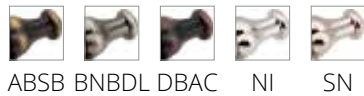


MO6303-BNBDL
Knob
1 3/8" Dia.

Item	MSRP
MO6303	\$6.92
MO6373	\$8.64
MO6373-128	\$11.36
MO6373-160	\$13.66
MO6373-12	\$123.68
MO6373-18	\$155.24

Bella

AVAILABLE FINISHES



818-96-ABSB
3 3/4" CC
4 3/8" Long



818-128-ABSB
5" CC
5 11/16" Long



818-160-ABSB
6 1/4" CC
6 15/16" Long



818-12-ABSB
12" CC appliance pull
13 1/8" Long



818-ABSB
Round Knob
1 3/8" Dia.

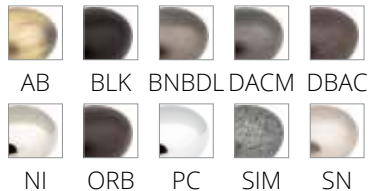


818L-ABSB
T Knob
2 1/4" Dia.

Item	MSRP
818	\$11.04
818L	\$14.46
818-96	\$17.08
818-128	\$19.64
818-160	\$25.12
818-12	\$131.16

Bordeaux

AVAILABLE FINISHES



3990-ORB
Egg Knob
1 3/16" Dia.



8236-ORB
3 3/4" CC
5" Long

Item	MSRP
3990	\$6.40
8236	\$7.74

Boswell

AVAILABLE FINISHES



177-96-PC
96MM CC
4 1/4" Long



177-128-PC
128MM CC
5 9/16" Long



177-160-PC
160MM CC
6 13/16" Long



177-192-PC
192MM CC
8 1/16" Long



177-224-PC
224MM CC
9 5/16" Long

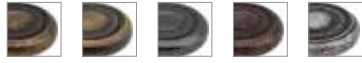
Item	MSRP
177-96	\$7.56
177-128	\$9.98
177-160	\$12.54
177-192	\$15.04
177-224	\$17.60

Bremen 1

AVAILABLE FINISHES



BNBDL DBAC NI PC SN SBZ



ABM-D ABSB DACM DMAC SIM



117-DACM
Knob
1 1/4" Dia.

Item	MSRP
117	\$5.18
527	\$8.64
527-128	\$12.10
527-160	\$15.58
527-12	\$123.68



527-DACM
96MM CC
4 5/8" Long



527-128-DACM
5" CC
5 7/8" Long



527-160-DACM
6 1/4" CC
7 1/8" Long



527-12-DACM
12" CC appliance pull
13 1/16" Long

Bremen 2

AVAILABLE FINISHES



ABSB DACM DBAC DMAC NI SN



127-NI
Knob (barrel)
1 3/16" Dia.



137-NI
Knob (stacked)
1 1/4" Dia.

Item	MSRP
127	\$6.92
137	\$5.22
537	\$8.64
537-128	\$10.44
537-160	\$12.06
537-12	\$123.68



537-NI
3 3/4" CC
4 3/16" Long



537-128-NI
5" CC
5 7/16" Long



537-160-NI
6 1/4" CC
6 9/16" Long



537-12-NI
12" CC appliance pull
12 11/16" Long

BREWER – New!

AVAILABLE FINISHES



Item	MSRP
821-125	\$5.72
821-128	\$11.20
821-160	\$14.60
821-224	\$18.72
821-256	\$24.12
821-305	\$30.44
821-457	\$42.62



821-125-BG
1 1/4" CC
1 3/4" Long



821-128-BG
5 1/16" CC
6" Long



821-160-BG
6 5/16" CC
8" Long



821-224-BG
8 13/16" CC
10" Long



821-256-BG
10 1/16" CC
12" Long



821-305-BG
12" CC
15" Long



821-457-BG
18" CC
20" Long

Cairo

AVAILABLE FINISHES



PC BNBDL DBAC SN



595-96-SN
3 3/4" CC
4 13/16" Long

595-128-SN
5" CC
6 1/16" Long



595-SN
Knob
1 1/4" Dia.

Item	MSRP
595	\$5.22
595-96	\$7.08
595-128	\$8.52

Callie

AVAILABLE FINISHES



BNBDL DBAC NI PC SN SBZ MB



839-3-PC
3" CC
4 3/16" Long



839-96-PC
3 3/4" CC
4 15/16" Long



839-128-PC
5" CC
6 1/4" Long



839-160-PC
60 1/4" CC
7 1/2" Long

Item	MSRP
839-3	\$8.22
839-96	\$10.62
839-128	\$13.66
839-160	\$15.52

Carmen

AVAILABLE FINISHES



775-96-SBZ
96MM CC
4 3/4" Long

775-128-SBZ
128MM CC
6" Long

775-160-SBZ
160" CC
7 1/4" Long



775-SBZ
Knob
1 1/16" Dia.



775L-SBZ
"T" Knob
2" Long

Item	MSRP
775	\$10.94
775L	\$12.92
775-96	\$19.68
775-128	\$22.76
775-160	\$26.50

Chesapeake

AVAILABLE FINISHES



737-96-BNBDL
3 3/4" CC
4 1/4" Long

737-128-BNBDL
5" CC
5 1/2" Long

737-160-BNBDL
6 1/4" CC
6 3/4" Long

737-12-BNBDL
12" CC appliance pull
12 5/16" Long



915-BNBDL
Knob
1 5/16" Dia.



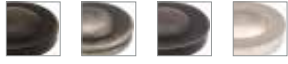
Z110-BNBDL
Knob
1 3/16" Dia.

Item	MSRP
915	\$5.98
Z110	\$3.72
737-96	\$8.12
737-128	\$10.18
737-160	\$12.36
737-12	\$121.92

NOTE: BNDL Finish is only available on Z110.

Cordova

AVAILABLE FINISHES



ABSB BNDL DBAC SN



0251-SN
Knob
1 3/8" Dia.



Z110-SN
Knob
1 3/16" Dia.



Z111-SN
Knob
1 1/4" Dia.

Item	MSRP
0251	\$5.02
Z110	\$3.80
Z111	\$4.96
Z281	\$6.84
Z280	\$8.38
Z281-128	\$11.94
Z281-160	\$15.40
Z281-12	\$123.68
Z281-18	\$155.24

NOTE: 0251 is also available in BNDL Finish. Z110 is also available in BNDL, DACM or SIN Finishes. 0251 is not available in BNDL.



Z281-SN
3" CC
3 3/8" Long



Z280-SN
3 3/4" CC
4 3/16" Long



Z281-128-SN
5" CC
5 7/16" Long



Z281-160-SN
6 1/4" CC
6 11/16" Long



Z281-12-SN
12" CC appliance pull
12 3/4" Long



Z281-18-SN
18" CC appliance pull
18 3/4" Long

JEFFREY ALEXANDER®

by Hardware Resources

Davis – New!

AVAILABLE FINISHES



SN MB SBZ BG PC NI



387-MB
Knob
1 3/8" Dia.



387-96-MB
3 3/4" CC
4 1/2" Long



387-128-MB
5 1/16" CC
5 13/16" Long



387-160-MB
6 5/16" CC
7 1/16" Long



387-192-MB
7 9/16" CC
8 5/16" Long



387-224-MB
8 13/16" CC
9 9/16" Long



387-305-MB
12" CC
12 3/4" Long



387-12-MB
12" CC appliance pull
13 1/8" Long



387-18-MB
18" CC appliance pull
19 1/8" Long

Item	MSRP
387	\$6.36
387-96	\$9.00
387-128	\$11.14
387-160	\$13.16
387-192	\$14.36
387-224	\$17.24
387-305	\$54.40
387-12	\$117.24
387-18	\$146.46

Delgado

AVAILABLE FINISHES



BNBDL ABSB DBAC NI SN



519-96-NI
3 3/4" CC
4 1/4" Long



519-128-NI
5" CC
5 9/16" Long



519-160-NI
6 1/4" CC
6 13/16" Long



519-12-NI
12" CC appliance pull
12 1/2" Long



519-18-NI
18" CC appliance pull
18 1/2" Long



519-NI
Knob
1 9/16" Dia.

Item	MSRP
519	\$9.50
519-96	\$16.96
519-128	\$28.26
519-160	\$35.72
519-12	\$131.16
519-18	\$161.80

Delmar

AVAILABLE FINISHES



SN DBAC BNBDL DACM DP



585-96-DP
3 3/4" CC
4 1/2" Long



585-128-DP
5" CC
5 13/16" Long



585-160-DP
6 1/4" CC
7 1/16" Long



585-12-DP
12" appliance pull
13 1/4" Long



585-DP
Small knob
1" Dia.



585L-DP
Large knob
1 1/4" Dia.

Item	MSRP
585	\$9.76
585L	\$12.20
585-96	\$15.40
585-128	\$24.64
585-160	\$31.68
585-12	\$146.40

Dominique

AVAILABLE FINISHES



MB BNBDL DBAC SBZ BG SN PC



845-BNBDL
Knob
1 1/8" Dia.



845T -BNBDL
Knob
2" Dia.



845TL -BNBDL
Knob
2 1/4" Dia.

Item	MSRP
845	\$5.40
845T	\$6.30
845TL	\$6.66
845-96	\$9.34
845-128	\$11.20
845-160	\$13.70
845-192	\$15.30
845-305	\$56.76
845-12	\$123.68
845-18	\$155.24



845-96-BNBDL
3 3/4" CC
5 3/4" Long



845-128 -BNBDL
5" CC
7 1/16" Long



845-160 -BNBDL
6 1/4" CC
8 5/16" Long



845-192 -BNBDL
7 1/2" CC
9 9/16" Long



845-305 -BNBDL
12" CC
14" Long



845-12 -BNBDL
12" CC
15" Long



845-18 -BNBDL
18" CC
21" Long

Durham

AVAILABLE FINISHES



PC ABSB BNBDL DACM SN ORB DBAC



Z290-3-DBAC
3" CC
3 3/8" Long



Z290-96-DBAC
3 3/4" CC
4 1/4" Long



Z290-128-DBAC
5" CC
5 1/2" Long



Z290-160-DBAC
6 1/4" CC
6 3/4" Long



Z290-12-DBAC
12" CC
13" Long



3980-DBAC
Knob
1 1/4" Dia.

Item	MSRP
3980	\$6.44
Z290-3	\$5.12
Z290-96	\$6.40
Z290-128	\$13.66
Z290-160	\$15.52
Z290-12	\$123.68



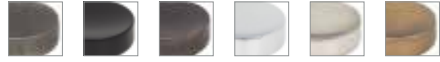
686-SBZ
Southerland

JEFFREY ALEXANDER®

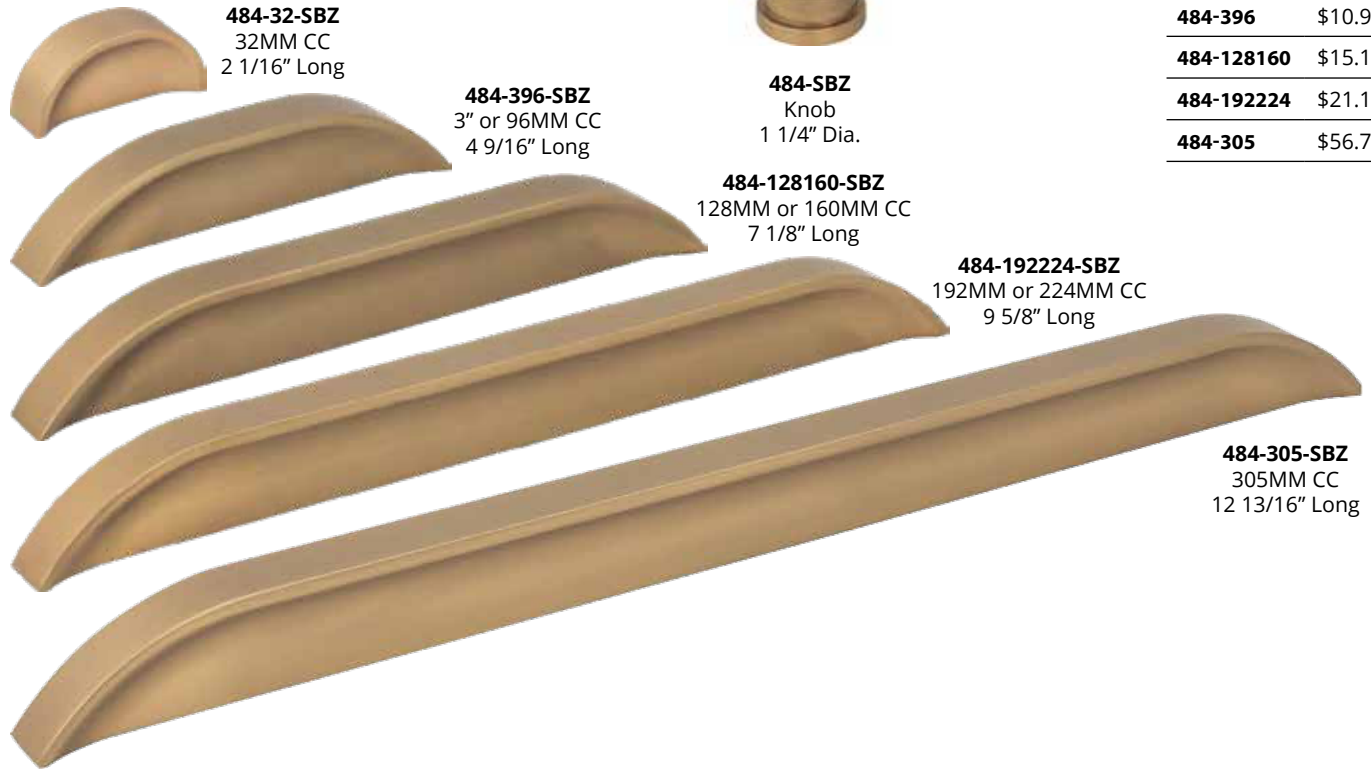
by Hardware Resources

Elara

AVAILABLE FINISHES



BNBDL MB DBAC PC SN SBZ



484-32-SBZ
32MM CC
2 1/16" Long

484-396-SBZ
3" or 96MM CC
4 9/16" Long

484-SBZ
Knob
1 1/4" Dia.

484-128160-SBZ
128MM or 160MM CC
7 1/8" Long

484-192224-SBZ
192MM or 224MM CC
9 5/8" Long

484-305-SBZ
305MM CC
12 13/16" Long

Item	MSRP
484	\$5.48
484-32	\$6.78
484-396	\$10.94
484-128160	\$15.14
484-192224	\$21.18
484-305	\$56.76

Ella

AVAILABLE FINISHES



NI DBAC SN PC BNBDL



165-96-BNBDL
3 3/4" CC
4 1/2" Long

165-BNBDL
Knob
1 1/4" Dia.

165-128-BNBDL
5" CC
5 13/16" Long

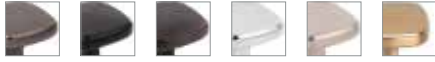
165-160-BNBDL
6 1/4" CC
7 1/16" Long

165-12-BNBDL
12" CC
13" Long

Item	MSRP
165	\$8.12
165-96	\$13.98
165-128	\$17.24
165-160	\$20.76
165-12	\$133.06

Fontana – New!

AVAILABLE FINISHES



BNBDL MB DBAC PC SN SBZ



782-MB
Square Knob
1 3/8" Long

Item	MSRP
782	\$6.36
782-96	\$9.64
782-128	\$11.72
782-160	\$14.08
782-192	\$16.10
782-224	\$19.36
782-305	\$54.40
782-12	\$117.24
782-18	\$147.40



782-96-MB
3 3/4" CC
4 1/2" Long



782-128-MB
5 1/16" CC
5 13/16" Long



782-160-MB
6 5/16" CC
7 1/16" Long



782-192-MB
7 9/16" CC
8 5/16" Long



782-224-MB
8 13/16" CC
9 9/16" Long



782-305-MB
12" CC
12 3/4" Long



782-12-MB
12" CC Appliance Pull
13 1/8" Long



782-18-MB
18" CC Appliance Pull
19 1/8" Long



JEFFREY ALEXANDER®

by Hardware Resources

Griffin – New!

AVAILABLE FINISHES



BNBDL MB DBAC PC SN SBZ



663-DBAC
Square Knob
1 3/8" Long



663-96-DBAC
3 3/4" CC
4 1/2" Long



663-128-DBAC
5 1/16" CC
5 13/16" Long



663-160-DBAC
6 5/16" CC
7 1/16" Long



663-192-DBAC
7 9/16" CC
8 5/16" Long



663-224-DBAC
8 13/16" CC
9 9/16" Long



663-305-DBAC
12" CC
12 3/4" Long



663-12-DBAC
12" CC Appliance Pull
13 1/8" Long

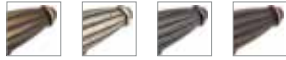


663-18-DBAC
18" CC Appliance Pull
19 1/8" Long

Item	MSRP
663	\$5.88
663-96	\$8.10
663-128	\$9.86
663-160	\$11.84
663-192	\$11.84
663-224	\$16.26
663-305	\$56.76
663-12	\$117.24
663-18	\$147.40

Glenmore

AVAILABLE FINISHES



ABSB BNMDL DACM DBAC



618-BNMDL
Small Knob
2 5/8" Dia.



618L-BNMDL
Large Knob
2 15/16" Dia.

Item	MSRP
618	\$5.34
618L	\$9.08
718	\$10.60
718-128	\$13.56
Z718-12	\$109.48



718-BNMDL
5" CC
5 3/4" Long



718-128-BNMDL
5" CC bail pull
5 15/16" Long



Z718-12-BNMDL
5" CC appliance pull
13 5/16" Long

Harlow



G110-DBAC
Small egg
1 1/4" Dia.



G120-PC
Small button
1 7/16" Dia.



G130-DBAC
Small sphere
1 1/16" Dia.



G110L-BNBDL
Large egg
1 5/8" Dia.



G120L-SN
Large button
1 3/4" Dia.



G130L-BNBDL
Large sphere
1 3/8" Dia.



G140-BNBDL
Small square
1" Dia.



G140L-SN
Large square
1 3/8" Dia.



G150-DBAC
Small faceted
1" Dia.



G150L-PC
Large faceted
1 1/4" Dia.

Item	MSRP
G110	\$15.00
G110L	\$23.48
G120	\$15.00
G120L	\$23.48
G130	\$12.92
G130L	\$16.06
G140	\$15.00
G140L	\$23.48
G150	\$12.92
G150L	\$16.06

Hayworth

AVAILABLE FINISHES



NI PC SN



885-PC
Knob
1 1/8" Dia.



885L-PC
T Knob
2" Dia.

Item	MSRP
885	\$7.52
885L	\$8.86
885-96	\$13.50
885-128	\$15.68
885-160	\$18.20
885-192	\$21.06
885-224	\$23.84
885-305	\$56.92



885-96-PC
3 3/4" CC
4 3/4" Long



885-128-PC
5" CC
6" Long



885-160-PC
6 1/4" CC
7 1/4" Long



885-192-PC
7 9/16" CC
8 1/2" Long



885-224-PC
8 13/16" CC
9 3/4" Long



885-305-PC
12" CC appliance pull
4 3/4" Long

JEFFREY ALEXANDER

478-DBAC
Larkin

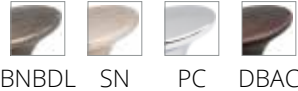


JEFFREY ALEXANDER®

by Hardware Resources

Hudson

AVAILABLE FINISHES



BNBDL SN PC DBAC



650-96-DBAC
3 3/4" CC
4 3/8" Long



650-128-DBAC
5" CC
5 5/8" Long



650-160-DBAC
6 1/4" CC
6 15/16" Long



650-12-DBAC
12" CC appliance pull
13" Long

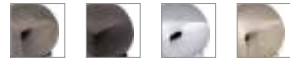


650-DBAC
Knob
1 7/8" Dia.

Item	MSRP
650	\$6.82
650-96	\$8.48
650-128	\$10.34
650-160	\$13.40
650-12	\$123.68

Katharine

AVAILABLE FINISHES



BNBDL DBAC PC SN



188-SN
Small Knob
7/8" Dia.



188L-SN
Large Knob
1" Dia.



188-96-SN
3 3/4" CC
4 3/8" Long



188-128-SN
5" CC
5 11/16" Long



188-160-SN
6 1/4" CC
6 15/16" Long

Item	MSRP
188	\$8.54
188L	\$9.48
188-96	\$13.16
188-128	\$17.44
188-160	\$21.44

Ivan – New!

AVAILABLE FINISHES



BNBDL MB PC SN SBZ

Item	MSRP
566-96	\$10.20
566-128	\$12.52
566-160	\$15.00
566-192	\$21.86
566-305	\$54.40
566-12	\$117.24
566-18	\$147.40



566-96-BNBDL
3 3/4" CC
4 7/16" Long



566-128-BNBDL
5 1/16" CC
5 11/16" Long



566-160-BNBDL
6 5/16" CC
6 15/16" Long



566-192-BNBDL
7 9/16" CC
8 3/16" Long



566-305-BNBDL
12" CC
12 5/8" Long



566-12-BNBDL
12" CC Appliance Pull
12 3/4" Long



506-18-BNBDL
18" CC Appliance Pull
18 3/4" Long

Jules – New!

AVAILABLE FINISHES



132-SBZ
Round Knob
1 3/8" Long

Item	MSRP
132	\$6.36
132-96	\$9.96
132-128	\$12.16
132-160	\$14.56
132-192	\$16.64
132-224	\$20.04
132-305	\$54.40
132-12	\$117.24
132-18	\$147.40



132-96-SBZ
3 3/4" CC
4 1/2" Long



132-128-SBZ
5 1/16" CC
5 13/16" Long



132-160-SBZ
6 5/16" CC
7 1/16" Long



132-192-SBZ
7 9/16" CC
8 5/16" Long



132-224-SBZ
8 13/16" CC
9 9/16" Long



132-305-SBZ
12" CC
12 3/4" Long



132-12-SBZ
12" CC Appliance Pull
13 1/8" Long



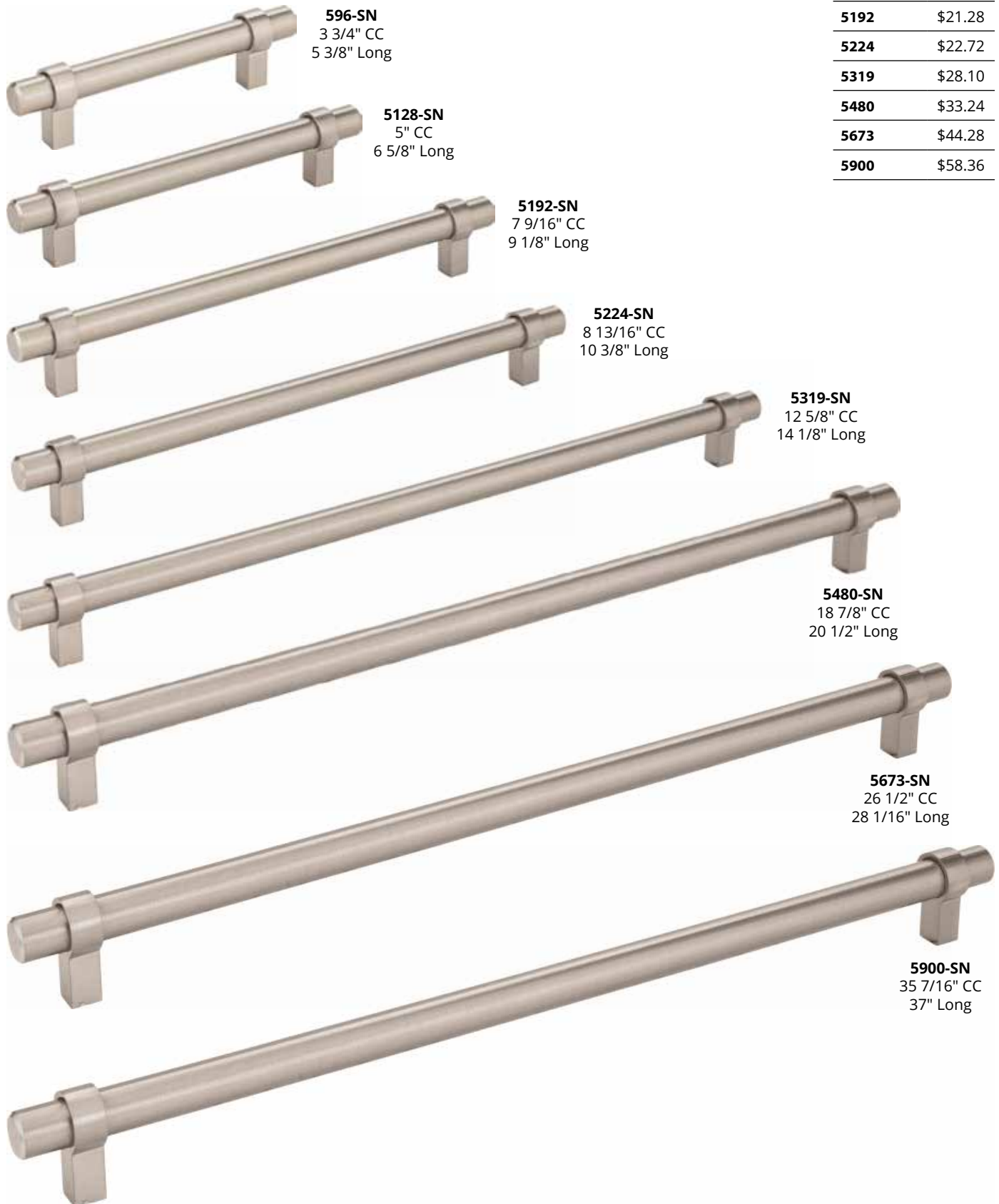
132-18-SBZ
18" CC Appliance Pull
19 1/8" Long

Key Grande

AVAILABLE FINISHES



MB MBBG BG MBSN SN



596-SN
3 3/4" CC
5 3/8" Long

5128-SN
5" CC
6 5/8" Long

5192-SN
7 9/16" CC
9 1/8" Long

5224-SN
8 13/16" CC
10 3/8" Long

5319-SN
12 5/8" CC
14 1/8" Long

5480-SN
18 7/8" CC
20 1/2" Long

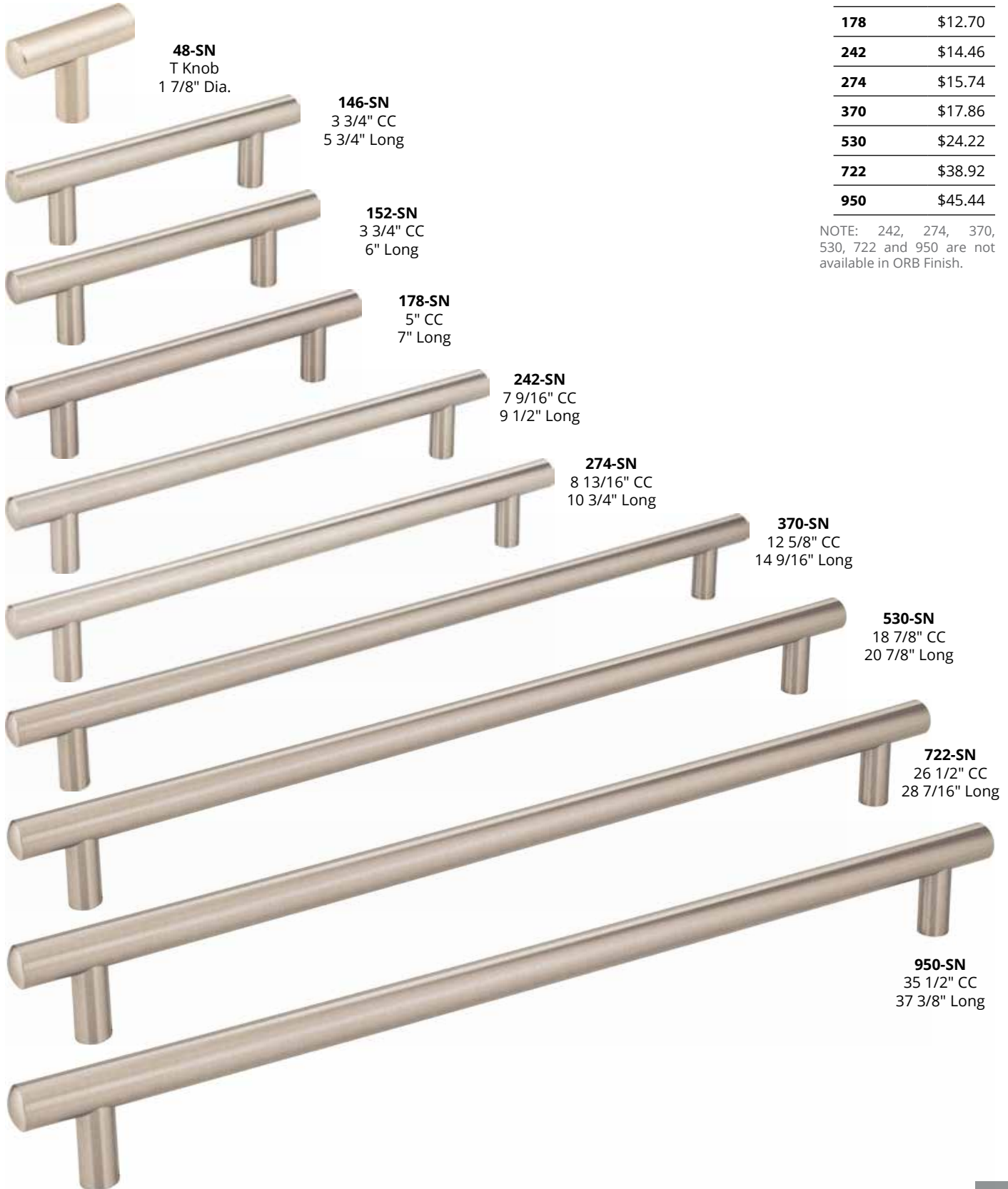
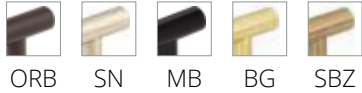
5673-SN
26 1/2" CC
28 1/16" Long

5900-SN
35 7/16" CC
37" Long

Item	MSRP
596	\$15.84
5128	\$17.64
5192	\$21.28
5224	\$22.72
5319	\$28.10
5480	\$33.24
5673	\$44.28
5900	\$58.36

Key West & Key Largo

AVAILABLE FINISHES



48-SN
T Knob
1 7/8" Dia.

146-SN
3 3/4" CC
5 3/4" Long

152-SN
3 3/4" CC
6" Long

178-SN
5" CC
7" Long

242-SN
7 9/16" CC
9 1/2" Long

274-SN
8 13/16" CC
10 3/4" Long

370-SN
12 5/8" CC
14 9/16" Long

530-SN
18 7/8" CC
20 7/8" Long

722-SN
26 1/2" CC
28 7/16" Long

950-SN
35 1/2" CC
37 3/8" Long

Item	MSRP
48	\$5.38
146	\$10.88
152	\$11.46
178	\$12.70
242	\$14.46
274	\$15.74
370	\$17.86
530	\$24.22
722	\$38.92
950	\$45.44

NOTE: 242, 274, 370, 530, 722 and 950 are not available in ORB Finish.

Lafayette

AVAILABLE FINISHES



ABSB BNBDL DBAC SN



218-DBAC
Fleur-de-lis Knob
1 3/8" Dia.



317-DBAC
Circles Knob
1 3/8" Dia.



417-DBAC
Baroque Knob
1 3/8" Dia.

Item	MSRP
218	\$11.16
317	\$10.14
417	\$10.62
317-96	\$14.66
317-128	\$16.36
317-160	\$19.26
317-12	\$146.40



317-96-DBAC
3 3/4" CC
4 3/8" Long



317-128-DBAC
5" CC
5 5/8" Long



317-160-DBAC
6 1/4" CC
6 7/8" Long



317-12-DBAC
12" CC appliance pull
12 15/16" Long

132-160-SBZ
Jules



Larkin 1 & 2

AVAILABLE FINISHES



Item	MSRP
478T	\$8.28
478-96	\$15.30
478-128	\$16.04
478-160	\$17.56
478-192	\$20.36
478-305	\$53.76
478-12	\$124.06
478-18	\$155.68



Lenoir

AVAILABLE FINISHES



Item	MSRP
Z117	\$4.54
8237	\$5.32



Larkin 3 & 4 – New!

AVAILABLE FINISHES



MB SBZ BG SN



598-96-BG
698-96-BG
96MM CC
6 1/8" Long



598-128-BG
698-128-BG
128MM CC
7 3/8" Long



598-160-BG
698-160-BG
160MM CC
8 11/16" Long



598-192-BG
698-192-BG
192MM CC
9 15/16" Long



598-305-BG
698-305-BG
305MM CC
14 3/8" Long



598-12-BG
698-12-BG
12" CC appliance pull
14 3/8" Long



598-18-BG
698-18-BG
18" CC appliance pull
20 3/8" Long



598
Knurled Center



698
Knurled Ends

Item	MSRP
498T	\$9.08
598-96	\$16.86
598-128	\$17.64
598-160	\$19.32
598-192	\$22.44
598-305	\$53.80
598-12	\$124.06
598-18	\$155.68
698-96	\$16.86
698-128	\$17.64
698-160	\$19.32
698-192	\$22.44
698-305	\$53.80
698-12	\$124.06
698-18	\$155.68

Lexa

AVAILABLE FINISHES



BN BNBDL DBAC PC SN



259-BN
Knob
2" Dia.



259-96-BN
3 3/4" CC
4 3/16" Long



259-128-BN
5" CC
5 7/16" Long



259-160-BN
6 1/4" CC
6 11/16" Long



259-192-BN
7 9/16" CC
8" Long

Item	MSRP
259	\$8.90
259-96	\$15.24
259-128	\$18.18
259-160	\$20.22
259-192	\$23.84

Leyton

AVAILABLE FINISHES



BNBDL DBAC SN PC NI SBZ



286-96-SBZ
3 3/4" CC
5 1/8" Long



286-128-SBZ
5" CC
6 3/8" Long



286-160-SBZ
6 1/4" CC
7 11/16" Long



286-192-SBZ
7 9/16" CC
8 15/16" Long



286-224-SBZ
8 13/16" CC
10 3/16" Long

Item	MSRP
286-96	\$12.04
286-128	\$13.56
286-160	\$16.10
286-192	\$18.88
286-224	\$21.64

JEFFREY ALEXANDER®

by Hardware Resources

Lille

AVAILABLE FINISHES



ABSB BNBDL DACM DBAC SN



415S-DACM
Small Knob
1 1/4" Dia.



415-DACM
Large Knob
1 3/8" Dia.

Item	MSRP
415S	\$7.52
415	\$10.24
415-96	\$9.00
415-96V	\$12.60
415-128	\$15.04
415-160	\$19.40
415-12	\$107.84



415-96-DACM
3 3/4" CC
4 3/8" Long



415-96V-DACM
3 3/4" CC asymmetrical
4 3/4" Long



415-128-DACM
5" CC
5 5/8" Long



415-160-DACM
6 1/4" CC
6 7/8" Long



415-12-DACM
12" CC appliance pull
12 7/8" Long

Lyon

AVAILABLE FINISHES



AB BLK BNBDL DACM DBAC BG



NI ORB PC SIM SN SBZ



3991-PC
Egg Knob
1 9/16" Dia.



8233-PC
3" CC
4 15/16" Long

Item	MSRP
3991	\$8.00
8233	\$6.82

Loxley

AVAILABLE FINISHES



BG BNBDL DBAC MB PC SBZ SN

Item	MSRP
329	\$5.88
329L	\$6.78
329-96	\$9.18
329-128	\$10.98
329-160	\$13.40
329-192	\$14.76
329-305	\$58.34
329-12	\$127.00
329-18	\$159.42

329-96-MB
3 3/4" CC
4 9/16" Long

329-128-MB
5 1/16" CC
5 7/8" Long

329-160-MB
6 5/16" CC
7 1/8" Long

329-192-MB
7 9/16" CC
8 7/16" Long

329-305-MB
12" CC
12 5/16" Long

329-12-MB
12" CC appliance pull
13 7/8" Long

329-18-MB
18" CC appliance pull
19 7/16" Long



329
Knob
1 1/4" Dia.



329L
Knob
1 1/2" Dia.

JEFFREY ALEXANDER®

by Hardware Resources

Marie

AVAILABLE FINISHES



445-BNBDL
Knob
1 1/4" Dia.

Item	MSRP
445	\$5.98
445-96	\$8.10
445-128	\$10.24
445-160	\$12.36
445-192	\$14.88
445-224	\$18.08
445-305	\$58.94
445-12	\$128.42
445-18	\$161.22



445-96-BNBDL
96MM CC
4 3/8" Long



445-128-BNBDL
128MM CC
5 5/8" Long



445-160-BNBDL
160MM CC
6 7/8" Long



445-192-BNBDL
192MM CC
8 3/16" Long



445-224-BNBDL
224MM CC
9 7/16" Long



445-305-BNBDL
305MM CC
12 11/16" Long



445-12-BNBDL
12" CC appliance pull
13" Long



445-18-BNBDL
18" CC appliance pull
19" Long










JEFFREY ALEXANDER®

by Hardware Resources

Marlo

AVAILABLE FINISHES



	972-96-SN 3 3/4" CC 4 1/2" Long		549-96-SN 3 3/4" CC 4 3/16" Long		972-SN Medium knob 1 1/8" Dia.	<table border="1"> <thead> <tr> <th>Item</th> <th>MSRP</th> </tr> </thead> <tbody> <tr> <td>972S</td> <td>\$6.40</td> </tr> <tr> <td>972</td> <td>\$7.84</td> </tr> <tr> <td>972L</td> <td>\$9.64</td> </tr> <tr> <td>972-96</td> <td>\$13.60</td> </tr> <tr> <td>972-128</td> <td>\$16.96</td> </tr> <tr> <td>972-160</td> <td>\$20.48</td> </tr> <tr> <td>972-224</td> <td>\$23.78</td> </tr> <tr> <td>972-305</td> <td>\$56.76</td> </tr> <tr> <td>972-12</td> <td>\$133.06</td> </tr> </tbody> </table>	Item	MSRP	972S	\$6.40	972	\$7.84	972L	\$9.64	972-96	\$13.60	972-128	\$16.96	972-160	\$20.48	972-224	\$23.78	972-305	\$56.76	972-12	\$133.06
Item	MSRP																									
972S	\$6.40																									
972	\$7.84																									
972L	\$9.64																									
972-96	\$13.60																									
972-128	\$16.96																									
972-160	\$20.48																									
972-224	\$23.78																									
972-305	\$56.76																									
972-12	\$133.06																									
	972-128-SN 5" CC 5 13/16" Long		972L-SN Large knob 1 1/4" Dia.																							
	972-160-SN 6 1/4" CC 7 1/16" Long																									
	972-224-SN 8 13/16" CC 9 3/4" Long																									
	972-305-SN 12" CC 12 3/4" Long																									
	972-W12-SN 12" CC appliance pull 13" Long																									

Merrick

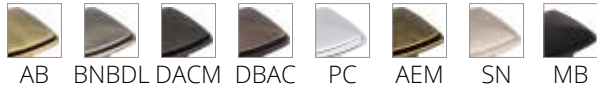
AVAILABLE FINISHES



	549-96-SN 3 3/4" CC 4 3/16" Long			<table border="1"> <thead> <tr> <th>Item</th> <th>MSRP</th> </tr> </thead> <tbody> <tr> <td>549-96</td> <td>\$7.46</td> </tr> <tr> <td>549-128</td> <td>\$8.54</td> </tr> <tr> <td>549-160</td> <td>\$9.66</td> </tr> <tr> <td>549-192</td> <td>\$10.92</td> </tr> <tr> <td>549-320</td> <td>\$28.80</td> </tr> </tbody> </table>	Item	MSRP	549-96	\$7.46	549-128	\$8.54	549-160	\$9.66	549-192	\$10.92	549-320	\$28.80
Item	MSRP															
549-96	\$7.46															
549-128	\$8.54															
549-160	\$9.66															
549-192	\$10.92															
549-320	\$28.80															
	549-128-SN 5" CC 5 1/2" Long															
	549-160-SN 6 1/4" CC 6 3/4" Long															
	549-192-SN 7 9/16" CC 8" Long															
	549-320-SN 12 5/8" CC 13 1/16" Long															

Milan 1

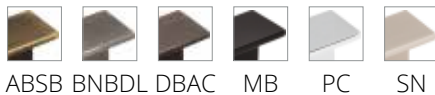
AVAILABLE FINISHES



Item	MSRP
1091	\$8.52
1092	\$9.56
1092-128	\$13.06
1092-160	\$15.62
1092-12	\$123.68

Mirada

AVAILABLE FINISHES



Item	MSRP
81021	\$5.12
80152-96	\$13.92
80152-128	\$15.68
80152-160	\$17.66

Nash – New!

AVAILABLE FINISHES



229-SBZ
Round Knob
1 3/8" Long

Item	MSRP
229	\$6.60
229-96	\$11.36
229-128	\$14.20
229-160	\$17.06
229-192	\$24.28
229-224	\$28.70
229-305	\$56.76
229-12	\$123.68
229-18	\$155.24

229-96-SBZ
3 3/4" CC
4 5/16" Long

229-128-SBZ
5 1/16" CC
5 9/16" Long

229-160-SBZ
6 5/16" CC
6 7/8" Long

229-192-SBZ
7 9/16" CC
8 1/8" Long

229-224-SBZ
8 13/16" CC
9 3/8" Long

229-305-SBZ
12" CC
12 9/16" Long

229-12-SBZ
12" CC Appliance Pull
12 13/16" Long

229-18-SBZ
18" CC Appliance Pull
18 13/16" Long

JEFFREY ALEXANDER®

by Hardware Resources

Ogden – New!

AVAILABLE FINISHES



929-SN
Round Knob
1 3/8" Long

Item	MSRP
929	\$6.60
929-96	\$11.36
929-128	\$14.20
929-160	\$17.06
929-192	\$24.28
929-224	\$28.70
929-305	\$56.76
929-12	\$123.68
929-18	\$155.24



929-96-SN
3 3/4" CC
4 5/16" Long



929-128-SN
5 1/16" CC
5 9/16" Long



929-160-SN
6 5/16" CC
6 7/8" Long



929-192-SN
7 9/16" CC
8 1/8" Long



929-224-SN
8 13/16" CC
9 3/8" Long



929-305-SN
12" CC
12 9/16" Long



929-12-SN
12" CC Appliance Pull
12 13/16" Long



929-18-SN
18" CC Appliance Pull
18 13/16" Long

JEFFREY ALEXANDER

Philip

AVAILABLE FINISHES



MB BNBDL DBAC BG SBZ PC SN



767-96-SBZ
3 3/4" CC
5" Long



767-SBZ
Knob
1 1/4" Dia.



767-128-SBZ
5" CC
6 5/16" Long



767-160-SBZ
6 1/4" CC
7 9/16" Long

Item	MSRP
767	\$6.20
767-96	\$7.20
767-128	\$10.20
767-160	\$12.58

Regan

AVAILABLE FINISHES



DBAC SN PC BNBDL



847-96-BNBDL
3 3/4" CC
5 9/16" Long



847-128-BNBDL
5" CC
6 13/16" Long



847-160-BNBDL
6 1/4" CC
8 1/16" Long

Item	MSRP
847-96	\$5.22
847-128	\$6.14
847-160	\$6.98

929-160-SN
Ogden



330.897.7701

JEFFREY ALEXANDER®

by Hardware Resources

Rae

AVAILABLE FINISHES



BNBDL DBAC NI PC SN



667S-NI
Small Knob
1 1/16" Dia.



667-NI
Knob
1 1/4" Dia.



667L-NI
Large Knob
1 3/8" Dia.



667-3-NI
3" CC
3 7/16" Long



667-96-NI
3 3/4" CC
4 3/16" Long



667-128-NI
5" CC
5 1/2" Long



667-160-NI
6 1/4" CC
6 3/4" Long



667-224-NI
8 13/16" CC
9 1/4" Long



667-305-NI
12" CC
12 9/16" Long



667-12-NI
12" CC appliance pull
12 13/16" Long



667-18-NI
18" CC appliance pull
18 13/16" Long

Item	MSRP
667S	\$5.70
667	\$6.94
667L	\$8.54
667-3	\$8.90
667-96	\$12.06
667-128	\$15.08
667-160	\$18.18
667-224	\$21.08
667-305	\$50.24
667-12	\$109.48
667-18	\$137.40

Renzo

AVAILABLE FINISHES



141-96-BG
3 3/4" CC
4 5/8" Long



141-128-BG
5 1/16" CC
5 7/8" Long



141-160-BG
6 5/16" CC
7 1/8" Long



141-192-BG
7 9/16" CC
8 3/8" Long



141-305-BG
12" CC
12 7/8" Long



141-BG
Square Knob
1 1/4" Dia.

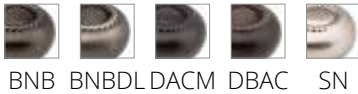


141L-BG
Square Knob
1 3/4" Dia.

Item	MSRP
141	\$6.50
141L	\$8.92
141-96	\$12.32
141-128	\$14.94
141-160	\$18.82
141-192	\$21.18
141-305	\$53.60

Rhodes

AVAILABLE FINISHES



Z260-3-DACM
3" CC
3 3/4" Long



Z261-96-DACM
3 3/4" CC
4 1/2" Long



B812-96R-DACM
3 3/4" CC
6" Long



Z261-128-DACM
5" CC
5 13/16" Long



Z260-12-DACM
12" CC appliance pull
13 1/4" Long



S6060-DACM
Knob & backplate
1 1/4" Dia.

Item	MSRP
S6060	\$5.80
Z260-3	\$5.02
Z261-96	\$5.44
B812-96R	\$7.56
Z261-128	\$14.92
Z260-12	\$121.92

JEFFREY ALEXANDER®

by Hardware Resources

Richard

AVAILABLE FINISHES



MB BNBDL DBAC SBZ BG SN PC



171-DBAC
Knob
1 1/4" Dia.



171L-DBAC
Knob
1 3/4" Dia.

Item	MSRP
171	\$7.04
171L	\$9.66
171-96	\$10.20
171-128	\$12.60
171-160	\$14.88
171-192	\$16.28
171-305	\$58.08



171-96-DBAC
96MM CC
4 3/8" Long



171-128-DBAC
128MM CC
5 5/8" Long



171-160-DBAC
160MM CC
6 7/8" Long



171-192-DBAC
192MM CC
8 1/8" Long



171-305-DBAC
305MM CC
12 5/8" Long



171-12-DBAC
12" CC appliance pull
12 13/16" Long



171-18-DBAC
18" CC appliance pull
18 13/16" Long

JEFFREY ALEXANDER

Roman

AVAILABLE FINISHES



944-96-SBZ
3 3/4" CC
4 15/16" Long



944-SBZ
Knob
1 1/4" Dia.



944-128-SBZ
5" CC
6 1/4" Long



944-160-SBZ
6 1/4" CC
7 1/2" Long



944-192-SBZ
7 1/2" CC
8 3/4" Long



944-224-SBZ
8 13/16" CC
10" Long



944-305-SBZ
12" CC
13 3/16" Long



944-12-SBZ
12" CC Appliance Pull
13 5/8" Long

Item	MSRP
944	\$5.38
944-96	\$7.80
944-128	\$9.18
944-160	\$10.66
944-192	\$12.26
944-224	\$14.52
944-305	\$56.76
944-12	\$123.68

JEFFREY ALEXANDER®

by Hardware Resources

Royce

AVAILABLE FINISHES



BNBDL DBAC PC SN



798-96-PC
3 3/4" CC
5 1/2" Long

798-128-PC
5" CC
6 3/4" Long

798-160-PC
6 3/4" CC
8 1/2" Long



431-PC
Knob
1 3/16" Dia.



595-PC
Knob
1 1/4" Dia.

Item	MSRP
431	\$5.22
595	\$5.22
798-96	\$8.42
798-128	\$9.98
798-160	\$12.22

Sonoma

AVAILABLE FINISHES



BNBDL DBAC MB PC SN



4128-MB
5" CC
6 5/16" Long

4160-MB
6 1/4" CC
8" Long

4192-MB
7 9/16" CC
9 5/8" Long

4288-MB
11 3/8" CC
14 7/16" Long



431-MB
Knob
1 3/16" Dia.

Item	MSRP
431	\$5.22
4128	\$10.24
4160	\$12.52
4192	\$18.40
4288	\$86.82

Southerland – New!

AVAILABLE FINISHES



MB DBAC PC SN SBZ



686-96-SN
3 3/4" CC
4 1/8" Long

686-128-SN
5 1/16" CC
5 3/8" Long

686-160-SN
6 5/16" CC
6 11/16" Long



686-SN
Small Clover Knob
1 1/4" Long



686L-SN
Large Clover Knob
1 1/2" Long

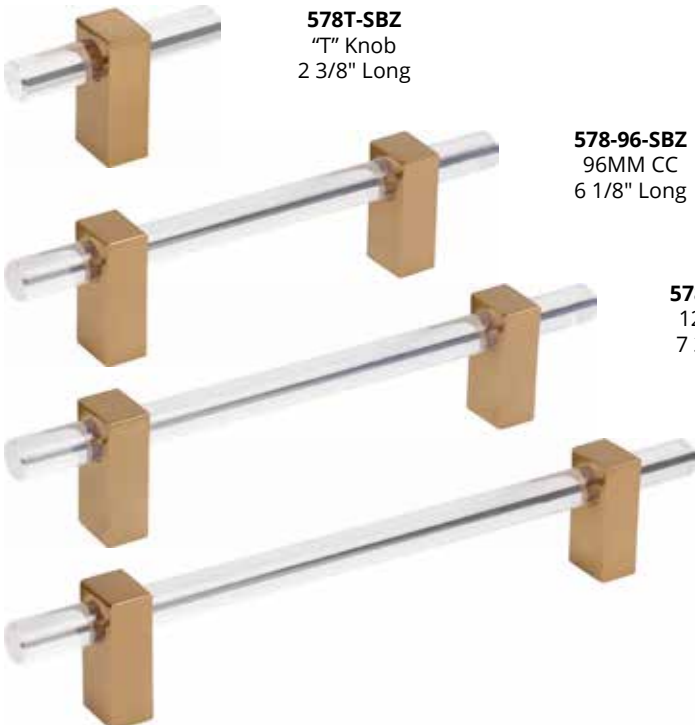
Item	MSRP
686	\$7.64
686L	\$10.34
686-96	\$11.40
686-128	\$13.72
686-160	\$17.50

Spencer

AVAILABLE FINISHES



MB SBZ BG SN PC



578T-SBZ
"T" Knob
2 3/8" Long

578-96-SBZ
96MM CC
6 1/8" Long

578-128-SBZ
128MM CC
7 3/8" Long

578-160-SBZ
160MM CC
8 11/16" Long

Item	MSRP
578T	\$12.92
578-96	\$19.68
578-128	\$22.76
578-160	\$26.50

Sullivan

AVAILABLE FINISHES



SN BNBDL DBAC MB PC



752-96-DBAC
96MM CC
4 1/2" Long



752-128-DBAC
128MM CC
5 13/16" Long



752-160-DBAC
160MM CC
7 1/16" Long



752-192-DBAC
192MM CC
8 15/16" Long



752-224-DBAC
224MM CC
9 9/16" Long



752-19-DBAC
19MM CC
1 1/4" Dia.

Item	MSRP
752-19	\$6.18
752-96	\$7.04
752-128	\$9.44
752-160	\$11.78
752-192	\$14.18
752-224	\$16.52

Sutton

AVAILABLE FINISHES



BG BNBDL DBAC MB NI PC SBZ SN



635-32-PC
1 1/4" CC
2 1/4" Long



635-96-PC
3 3/4" CC
4 3/4" Long



635-128-PC
5" CC
5 7/8" Long



635-160-PC
6 1/4" CC
7 1/2" Long



635-256-PC
10 1/16" CC
11 7/16" Long

Item	MSRP
635-32	\$8.20
635-96	\$9.98
635-128	\$11.96
635-160	\$14.44
635-256	\$33.72

Tiffany

AVAILABLE FINISHES



BG BNBDL DBAC NI PC SBZ SN



658-96-SBZ
3 3/4" CC
4 1/2" Long

658-128-SBZ
5" CC
5 13/16" Long

658-160-SBZ
6 1/4" CC
7 1/16" Long

658-192-SBZ
7 9/16" CC
8 3/8" Long

658-224-SBZ
8 13/16" CC
9 7/8" Long

658-12-SBZ
12" CC appliance pull
13" Long



658-SBZ
Knob
1 1/4" Dia.

Item	MSRP
658	\$10.50
658-96	\$14.14
658-128	\$17.66
658-160	\$21.56
658-192	\$24.84
658-224	\$28.44
658-12	\$123.68

Tahoe

AVAILABLE FINISHES



BLK DMAC SIM



602S-SIM
Small knob
1 1/4" Dia.



602-SIM
Large knob
1 1/2" Dia.



602-96-SIM
3 3/4" CC
4 1/2" Long

602-128-SIM
5" CC
5 13/16" Long

602-12-SIM
12" CC
12 3/4" Long

Item	MSRP
602S	\$13.50
602	\$14.20
602-96	\$17.44
602-128	\$21.44
602-12	\$133.06

Tuscany

AVAILABLE FINISHES



ABSB DACM DBAC SIM



749-96B-SIM
3 3/4" CC
4 1/16" Long

749-SIM
Knob
2 5/16" Dia.

749-128B-SIM
5" CC
5 5/16" Long

749-128-SIM
5" CC bail pull
5 5/16" Long

749-160-SIM
6 1/4" CC bail pull
7 3/16" Long

749-224-SIM
8 3/16" CC bail pull
9 3/4" Long

Item	MSRP
749	\$6.04
749-96B	\$8.10
749-128B	\$8.68
749-128	\$10.52
749-160	\$13.56
749-224	\$15.14

585-96-DP
Delmar



Weser – New!

AVAILABLE FINISHES



Item	MSRP
410	\$5.88
410-96	\$7.24
410-128	\$9.06
410-160	\$11.30
410-192	\$13.56
410-224	\$15.88
410-305	\$50.24
410-12	\$117.24
410-18	\$137.24

410-96-DBAC
3 3/4" CC
4 3/8" Long

410-DBAC
Round Knob
1 3/8" Long

410-128-DBAC
5 1/16" CC
5 5/8" Long

410-160-DBAC
6 5/16" CC
6 15/16" Long

410-192-DBAC
7 9/16" CC
8 3/16" Long

410-224-DBAC
8 13/16" CC
9 1/2" Long

410-305-DBAC
12" CC
12 11/16" Long

410-12-DBAC
12" CC Appliance Pull
12 7/8" Long

410-18-DBAC
18" CC Appliance Pull
18 7/8" Long

Wheeler

AVAILABLE FINISHES



MB DBAC BNBDL SBZ BG SN PC



678-MB
Knob
1 1/4" Dia.

Item	MSRP
678	\$6.52
678-96	\$11.36
678-128	\$12.74
678-160	\$14.24
678-18	\$155.24



678-96-MB
96MM CC
5" Long



678-128-MB
128MM CC
6 1/4" Long



678-160-MB
160MM CC
7 1/2" Long



678-18-MB
18" CC appliance pull
20 1/4" Long

229-18-SBZ
Nash



Whitlock – New!

AVAILABLE FINISHES



MB PC SN SBZ BG



905-PC
Square Knob
1 1/4" Long

Item	MSRP
905	\$6.18
905-96	\$10.02
905-128	\$12.04
905-160	\$14.36
905-192	\$16.10
905-305	\$56.76
905-12	\$123.68
905-18	\$155.24



905-96-PC
3 3/4" CC
5" Long



905-128-PC
5 1/16" CC
6 1/4" Long



905-160-PC
6 5/16" CC
7 1/2" Long



905-192-PC
7 9/16" CC
8 3/4" Long



905-305-PC
12" CC
13 1/4" Long



905-12-PC
12" CC Appliance Pull
14 1/2" Long



905-18-PC
18" CC Appliance Pull
20 1/2" Long



Symphony

AVAILABLE FINISHES



SN BNBDL DACM DBAC ABSB



1976-ABSB
Knob
2" Dia.



1977S-ABSB
Knob
1 3/8" Dia.



1977-ABSB
3 3/4" CC
4 9/16" Long

Item	MSRP
1977S	\$7.56
1976	\$9.06
1977	\$9.54

Zane

AVAILABLE FINISHES



NI SN PC BNBDL MB



293T-BNBDL
Knob
2" Dia.



293-96-BNBDL
3 3/4" CC
5 1/16" Long



293-128-BNBDL
5" CC
6 5/16" Long



293-160-BNBDL
6 1/4" CC
7 9/16" Long



293-192-BNBDL
7 9/16" CC
8 13/16" Long



293-224-BNBDL
8 13/16" CC
10 1/16" Long



293-305-BNBDL
12" CC
13 3/4" Long

Item	MSRP
293T	\$8.10
293-96	\$12.36
293-128	\$14.44
293-160	\$16.64
293-192	\$19.26
293-224	\$21.96
293-305	\$56.76

E L E M E N T S[®]
by Hardware Resources

Aiden

AVAILABLE FINISHES



PC DBAC BNBDL SN



993-BNBDL
Knob
1 5/8" Proj.

Item	MSRP
993	\$3.24
993-3	\$5.22
993-96	\$6.28
993-128	\$8.06



993-3-BNBDL
3" CC
4 1/16" Long



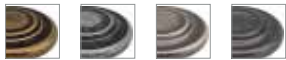
993-96-BNBDL
3 3/4" CC
4 13/16" Long



993-128-BNBDL
5 1/16" CC
6 1/8" Long

Arcadia

AVAILABLE FINISHES



AEM ASM BNBDL DACM



DBAC ORB PC SN



516-AEM
3" CC
5 1/2" Long



107-AEM
Knob
1 1/4" Dia.

Item	MSRP
107	\$4.84
516	\$4.84

Asher

AVAILABLE FINISHES



SN BNBDL DBAC PC BC



193-3-BC
3" CC
3 1/4" Long



193-96-BC
3 3/4" CC
4" Long



193-4-BC
4" CC
4 1/4" Long



193-128-BC
5" CC
5 1/4" Long

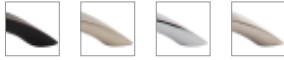


193-160-BC
6 1/4" CC
6 9/16" Long

Item	MSRP
193-3	\$6.24
193-96	\$6.88
193-4	\$7.46
193-128	\$8.42
193-160	\$9.76

Belfast

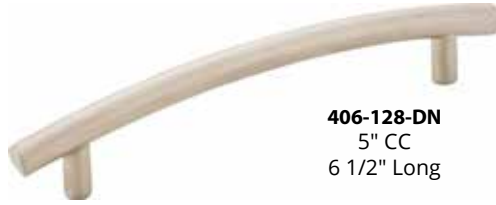
AVAILABLE FINISHES



BLK DN PC SN



308-128-DN
5" CC
5 1/2" Long



406-128-DN
5" CC
6 1/2" Long



745-128-DN
5" CC
5 1/2" Long



776-128-DN
5" CC
5 1/2" Long

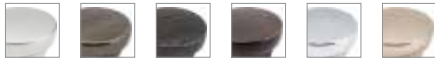


976-128-DN
5" CC
6" Long

Item	MSRP
308-128	\$5.44
406-128	\$8.36
745-128	\$6.62
776-128	\$7.94
976-128	\$7.24

Brenton

AVAILABLE FINISHES



BC BNBDL DACM DBAC PC SN



239-96-BNBDL
3 3/4" CC
4 5/16" Long



239-BDBDL
Knob
1" Dia.



239-128-BNBDL
5" CC
5 9/16" Long



239-160-BNBDL
6 1/4" CC
6 13/16" Long



239-192-BNBDL
7 9/16" CC
8 1/16" Long

Item	MSRP
239	\$4.12
239-96	\$6.18
239-128	\$7.90
239-160	\$9.28
239-192	\$10.14

Capri

AVAILABLE FINISHES



BB BC DN SN



412461-SN
Knob
1 1/8" Dia.



530142-SN
Knob
1" Dia.



530143-DN
Knob
1 1/4" Dia.

Item	MSRP
412461	\$3.24
530142	\$3.16
530143	\$3.24
3211	\$3.88
4656	\$5.22
411689	\$3.64
4690	\$3.80
530144	\$3.24
417572	\$4.76
Z205	\$5.64
Z500-128	\$11.26



3211-SN
3" CC
4 7/8" Long



4656-SN
3" CC
3 3/8" Long



411689-DN
3 3/4" CC
4 3/8" Long



4690-SN
3 3/4" CC
4 1/2" Long



530144-DN
3 3/4" CC
5 1/8" Long



417572-DN
5" CC
4 1/2" Long



Z205-BB
5" CC
5 3/4" Long



Z500-128-SN
5" CC
5 5/8" Long

NOTE: 412461, 530142, 3211, 4656, 4690 and Z500-128 are only available in SN Finish. 531043, 411689, 530144 and 417572 are only available in DN Finish. Z205 is only available in BB or BC Finishes.

Cosgrove

AVAILABLE FINISHES



BNBDL DBAC PC SN



382-96-BNBDL
3 3/4" CC
6 1/2" Long

382-128-BNBDL
5" CC
7 3/4" Long

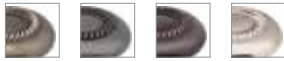
382-160-BNBDL
6 1/4" CC
9" Long

382-BNBDL
Knob
1 1/2" Dia.

Item	MSRP
382	\$3.48
382-96	\$8.32
382-128	\$9.64
382-160	\$11.08

Cypress

AVAILABLE FINISHES



BNBDL DACM DBAC SN



Z118-DACM
Knob
1 1/4" Dia.



Z118-3-DACM
3" CC
3 3/8" Long

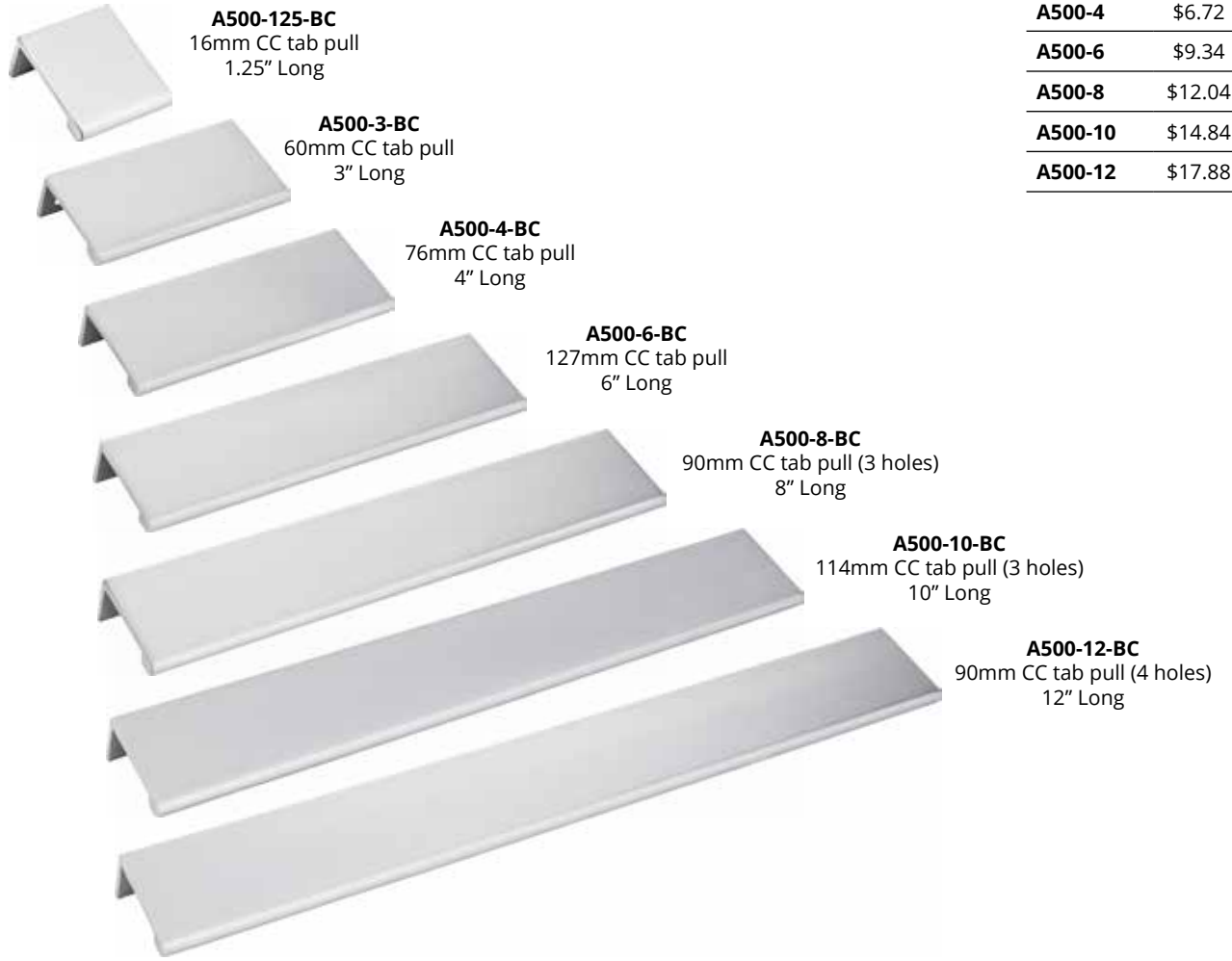
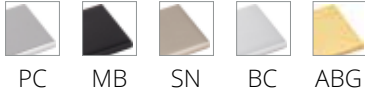


Z118-96-DACM
3 3/4" CC
4 1/8" Long

Item	MSRP
Z118	\$2.46
Z118-3	\$3.10
Z118-96	\$3.48

Edgefield

AVAILABLE FINISHES



A500-125-BC
16mm CC tab pull
1.25" Long

A500-3-BC
60mm CC tab pull
3" Long

A500-4-BC
76mm CC tab pull
4" Long

A500-6-BC
127mm CC tab pull
6" Long

A500-8-BC
90mm CC tab pull (3 holes)
8" Long

A500-10-BC
114mm CC tab pull (3 holes)
10" Long

A500-12-BC
90mm CC tab pull (4 holes)
12" Long

Item	MSRP
A500-125	\$3.90
A500-3	\$5.44
A500-4	\$6.72
A500-6	\$9.34
A500-8	\$12.04
A500-10	\$14.84
A500-12	\$17.88

Florence

AVAILABLE FINISHES



2980-SBZ
Knob
1 1/4" Dia.



2981-SBZ
3" CC cup pull
3 11/16" Long

Item	MSRP
2980	\$5.12
2981	\$6.78

Gatsby

AVAILABLE FINISHES



BNBDL DACM DBAC PC SN



3940-PC
Knob
1 1/4" Dia.



3950-PC
Knob
1 3/16" Dia.



3960-PC
Knob
1 1/4" Dia.



3970-PC
Knob
1 1/8" Dia.

Item	MSRP
3940	\$2.24
3950	\$2.12
3960	\$3.00
3970	\$2.60
3108	\$3.14
3208	\$3.48
3308	\$3.40



3108-PC
3" CC
5 1/4" Long



3208-PC
3" CC
4 1/4" Long



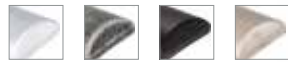
3308-PC
3" CC
4 1/2" Long

Glendale

AVAILABLE FINISHES



ABM-DBNBDL DBAC DMAC SBZ



PC SIM MB SN



525-96-SIM
3 3/4" CC
5" Long

525-SIM
Knob
1" Dia.

Item	MSRP
525	\$4.60
525-96	\$5.86

Gibson

AVAILABLE FINISHES



MB BNBDL SBZ BG SN PC



105-96-SBZ
96MM CC
4 1/4" Long



105-128-SBZ
128MM CC
5 1/2" Long



105-160-SBZ
160MM CC
6 3/4" Long



105-192-SBZ
192MM CC
8" Long



105-SBZ
Knob
1 1/4" Dia.

Item	MSRP
105	\$4.76
105-96	\$6.08
105-128	\$7.26
105-160	\$8.74
105-192	\$10.46

330.897.7701

Hadly

AVAILABLE FINISHES



DBAC PC SN BNBDL MB BG SBZ



449-3-BNBDL
3" CC
4" Long



449-96-BNBDL
96 mm CC
4 3/4" Long



449-128-BNBDL
5" CC
6 1/16" Long



449-160-BNBDL
6 1/4" CC
7 5/16" Long



449-BNBDL
Knob
1" Dia.

Item	MSRP
449	\$4.36
449-3	\$6.24
449-96	\$7.08
449-128	\$10.18
449-160	\$11.96

Hammond

AVAILABLE FINISHES



BNBDL DBAC PC SN MB



937-3-SN
3" CC
4 7/8" Long



937-96-SN
3 3/4" CC
5 11/16" Long



525-SN
Knob
1" Dia.

Item	MSRP
525	\$4.60
937-3	\$3.64
937-96	\$5.32

Kenner

AVAILABLE FINISHES



PC BNBDL DBAC SN MB



254-3-BNBDL
3" CC
5" Long

254-96-SN
3 3/4" CC
5 3/4" Long



3970-SN
Knob
1 1/8" Dia.

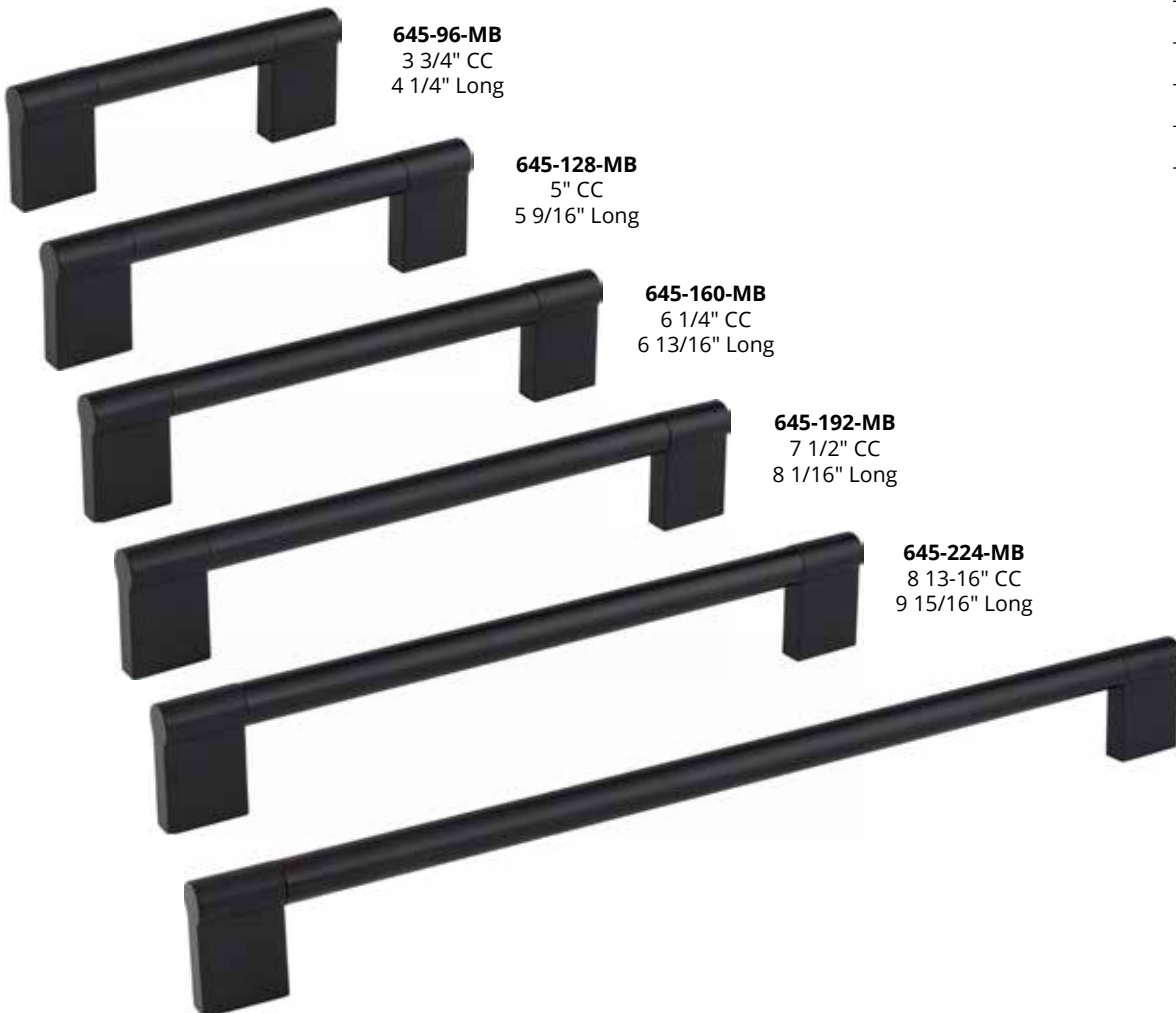
Item	MSRP
3970	\$2.60
254-3	\$3.64
254-96	\$5.32

Knox

AVAILABLE FINISHES



MB SN PC



645-96-MB
3 3/4" CC
4 1/4" Long

645-128-MB
5" CC
5 9/16" Long

645-160-MB
6 1/4" CC
6 13/16" Long

645-192-MB
7 1/2" CC
8 1/16" Long

645-224-MB
8 13/16" CC
9 15/16" Long

645-320-MB
12 1/2" CC
13 1/16" Long

Item	MSRP
645-96	\$8.42
645-128	\$9.76
645-160	\$11.14
645-192	\$12.86
645-224	\$14.78
645-320	\$16.86

Lindos

AVAILABLE FINISHES



BNBDL DBAC PC SN



Z115-96-BNBDL
3 3/4" CC
4 3/8" Long



Z115-128-BNBDL
5" CC
5 9/16" Long



Z115-BNBDL
Knob
1 1/4" Dia.



Z115L-BNBDL
Knob
1 3/8" Dia.

Item	MSRP
Z115	\$4.10
Z115L	\$3.80
Z115-96	\$4.76
Z115-128	\$12.80

Madison

AVAILABLE FINISHES



AB ALM BC BN BNBDL DACM WH SBZ



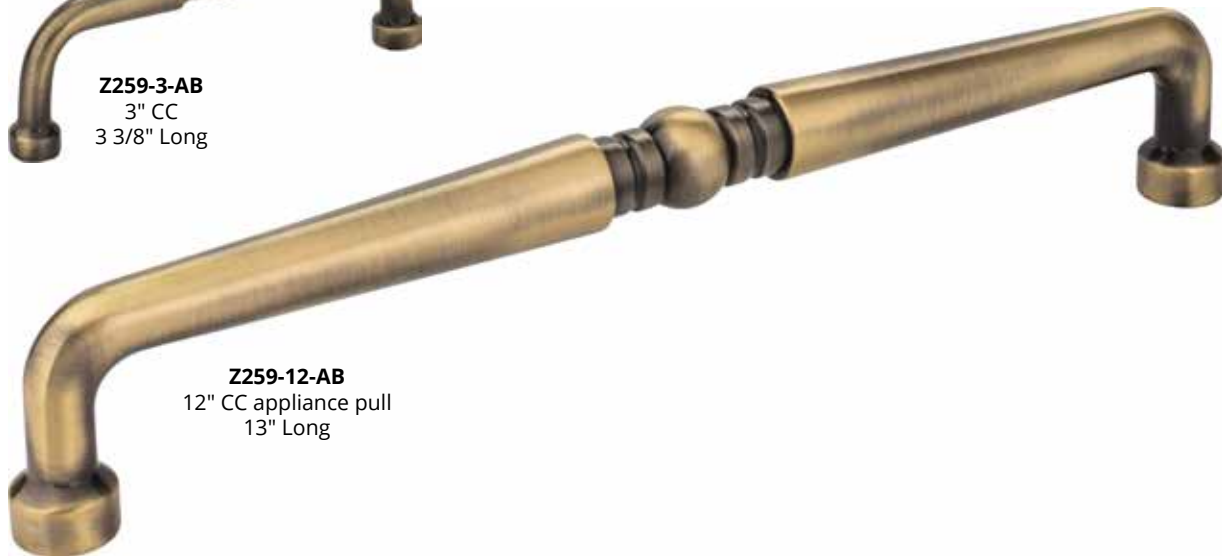
DBAC MB ORB PB SB SN PC



3910-AB
Knob
1 3/16" Dia.



Z259-3-AB
3" CC
3 3/8" Long



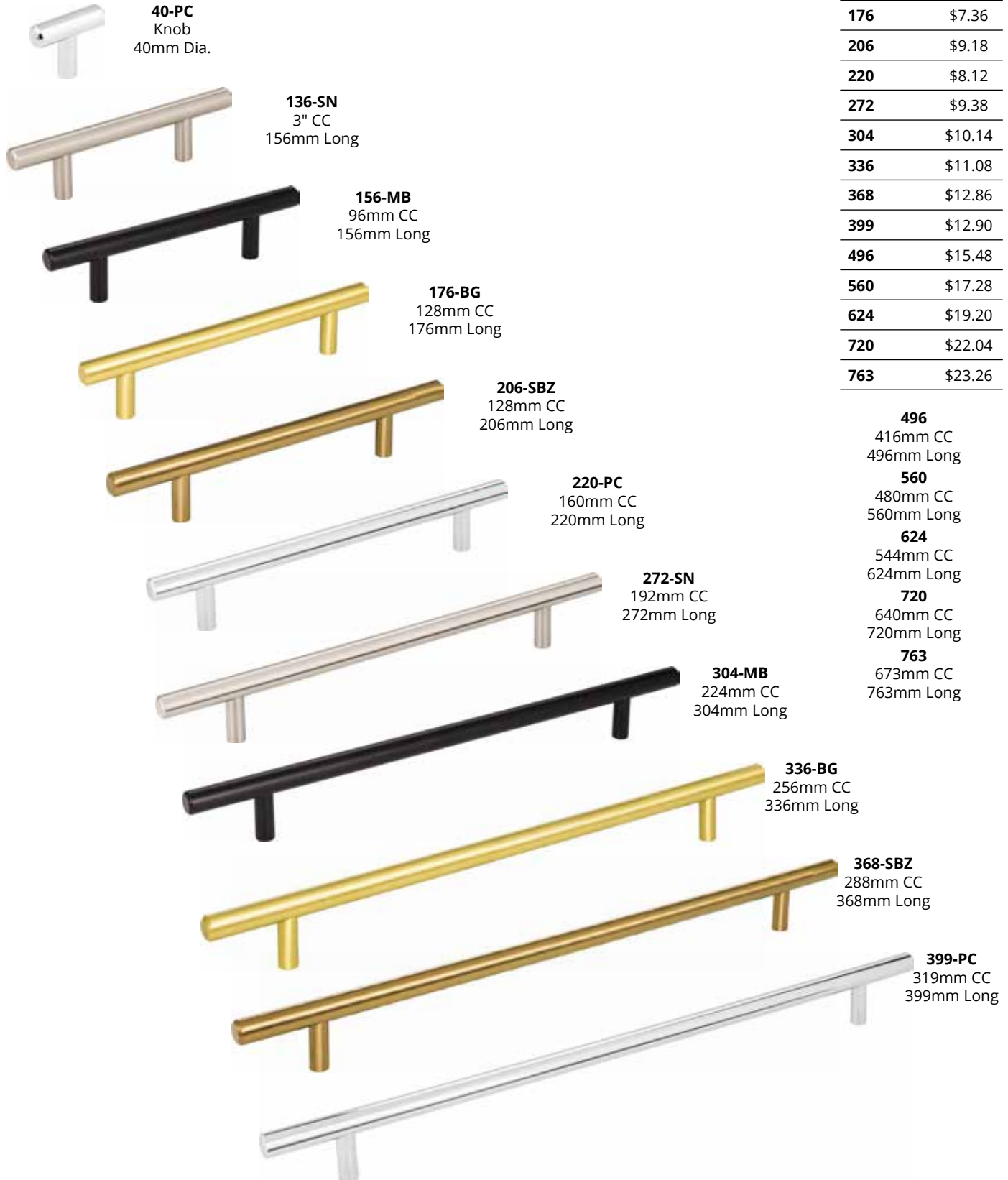
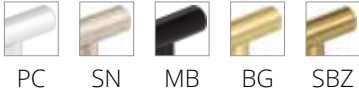
Z259-12-AB
12" CC appliance pull
13" Long

Item	MSRP
3910	\$2.60
Z259-3	\$3.88
Z259-12	\$115.64

NOTE: Z259-3 is not available in ALM or WH Finishes. Z259-12 is not available in ALM, BNBDL, MB, PB, SB or WH Finishes.

Naples

AVAILABLE FINISHES



Item	MSRP
40	\$3.72
136	\$5.08
156	\$6.20
176	\$7.36
206	\$9.18
220	\$8.12
272	\$9.38
304	\$10.14
336	\$11.08
368	\$12.86
399	\$12.90
496	\$15.48
560	\$17.28
624	\$19.20
720	\$22.04
763	\$23.26

496	416mm CC 496mm Long
560	480mm CC 560mm Long
624	544mm CC 624mm Long
720	640mm CC 720mm Long
763	673mm CC 763mm Long

Naples

AVAILABLE FINISHES



39-SS
Knob
39mm Dia.



154-SS
96mm CC
154mm Long



174-SS
128mm CC
174mm Long



204-SS
128mm CC
204mm Long



270-SS
192mm CC
270mm Long



302-SS
224mm CC
302mm Long



334-SS
256mm CC
334mm Long



366-SS
288mm CC
366mm Long



397-SS
319mm CC
397mm Long

Item	MSRP
39	\$3.10
154	\$4.70
174	\$6.12
204	\$8.20
270	\$8.76
302	\$9.44
334	\$9.72
366	\$10.60
397	\$11.68
494	\$14.44
558	\$15.96
622	\$17.40
719	\$19.68
761	\$21.00

494-SS
416mm CC
494mm Long

558-SS
480mm CC
558mm Long

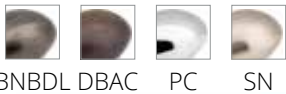
622-SS
544mm CC
622mm Long

719-SS
640mm CC
719mm Long

761-SS
673mm CC
761mm Long

Merryville

AVAILABLE FINISHES



BNBDL DBAC PC SN



897-3-BNBDL
3" CC
5 1/8" Long



897-BNBDL
Knob
1 1/8" Dia.



897L-BNBDL
Knob
1 1/4" Dia.

Item	MSRP
897	\$3.26
897L	\$4.00
897-3	\$3.68

Park

AVAILABLE FINISHES



DBAC BNBDL SN PC



183-3-PC
3" CC
3 3/4" Long



183-PC
Knob
1 1/8" Proj.



183-96-PC
96MM CC
4 1/2" Long

Item	MSRP
183	\$4.36
183-3	\$6.24
183-96	\$7.08

Seaver

AVAILABLE FINISHES



DBAC BNBDL SN PC



511-3-DBAC
3" CC
4 1/16" Long



511-DBAC
Knob
1 1/4" Dia.



511-96-DBAC
96MM CC
4 7/8" Long

Item	MSRP
511	\$3.88
511-3	\$5.82
511-96	\$6.40

Sedona

AVAILABLE FINISHES



SN SBZ MB



400-SN
3" CC
4" Long



26-SN
Knob
1" Dia.



475-SN
3 3/4" CC
4 3/4" Long



600-SN
5" CC
6" Long

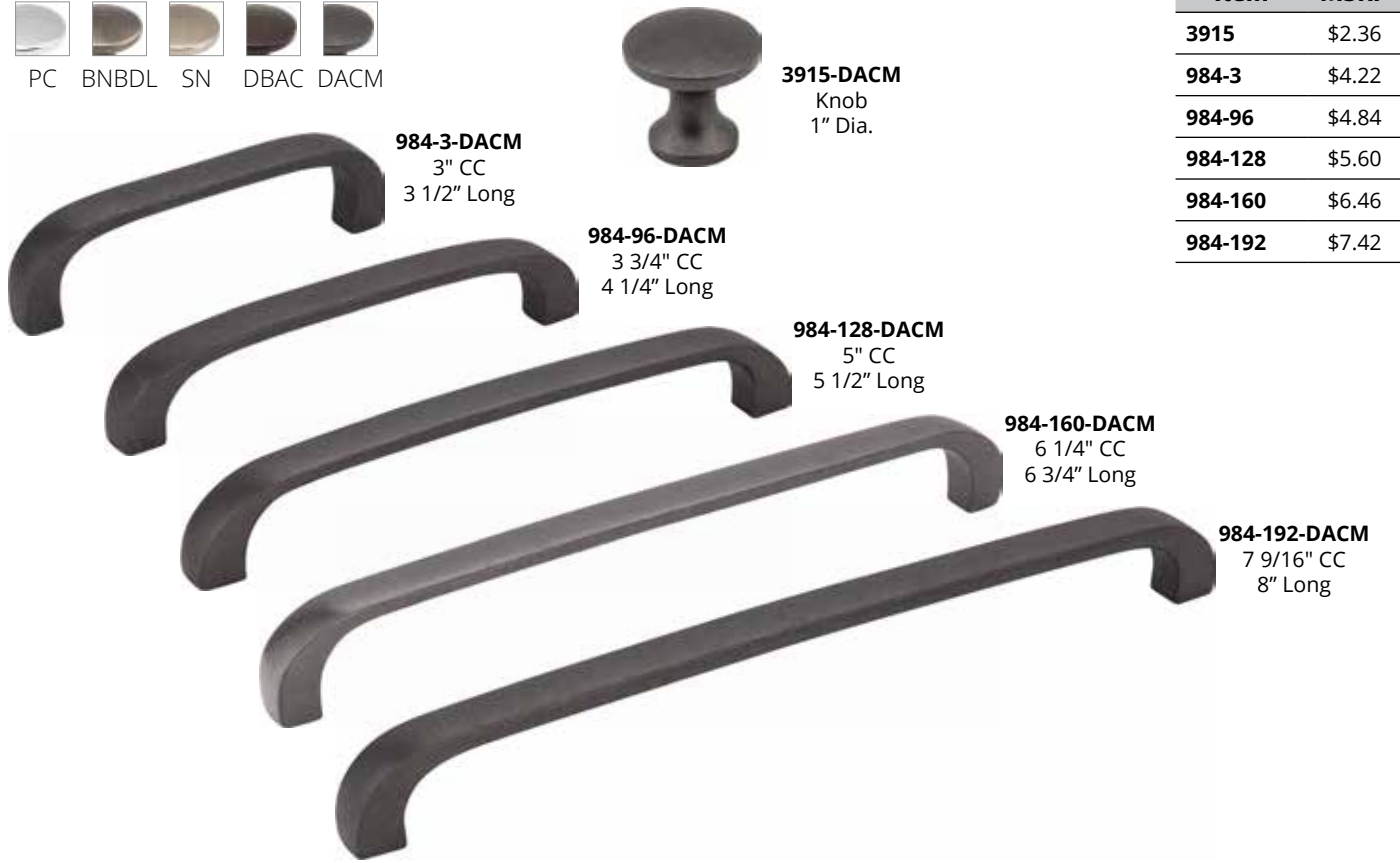
Item	MSRP
26	\$4.12
400	\$6.60
475	\$8.32
600	\$11.48

Slade

AVAILABLE FINISHES



PC BNBDL SN DBAC DACM



984-3-DACM
3" CC
3 1/2" Long

984-96-DACM
3 3/4" CC
4 1/4" Long

3915-DACM
Knob
1" Dia.

984-128-DACM
5" CC
5 1/2" Long

984-160-DACM
6 1/4" CC
6 3/4" Long

984-192-DACM
7 9/16" CC
8" Long

Item	MSRP
3915	\$2.36
984-3	\$4.22
984-96	\$4.84
984-128	\$5.60
984-160	\$6.46
984-192	\$7.42

Somerset

AVAILABLE FINISHES



BNBDL DBAC PC SN SBZ



8004-DBAC
3 3/4" CC
4 7/8" Long

81065-DBAC
5" CC
6" Long

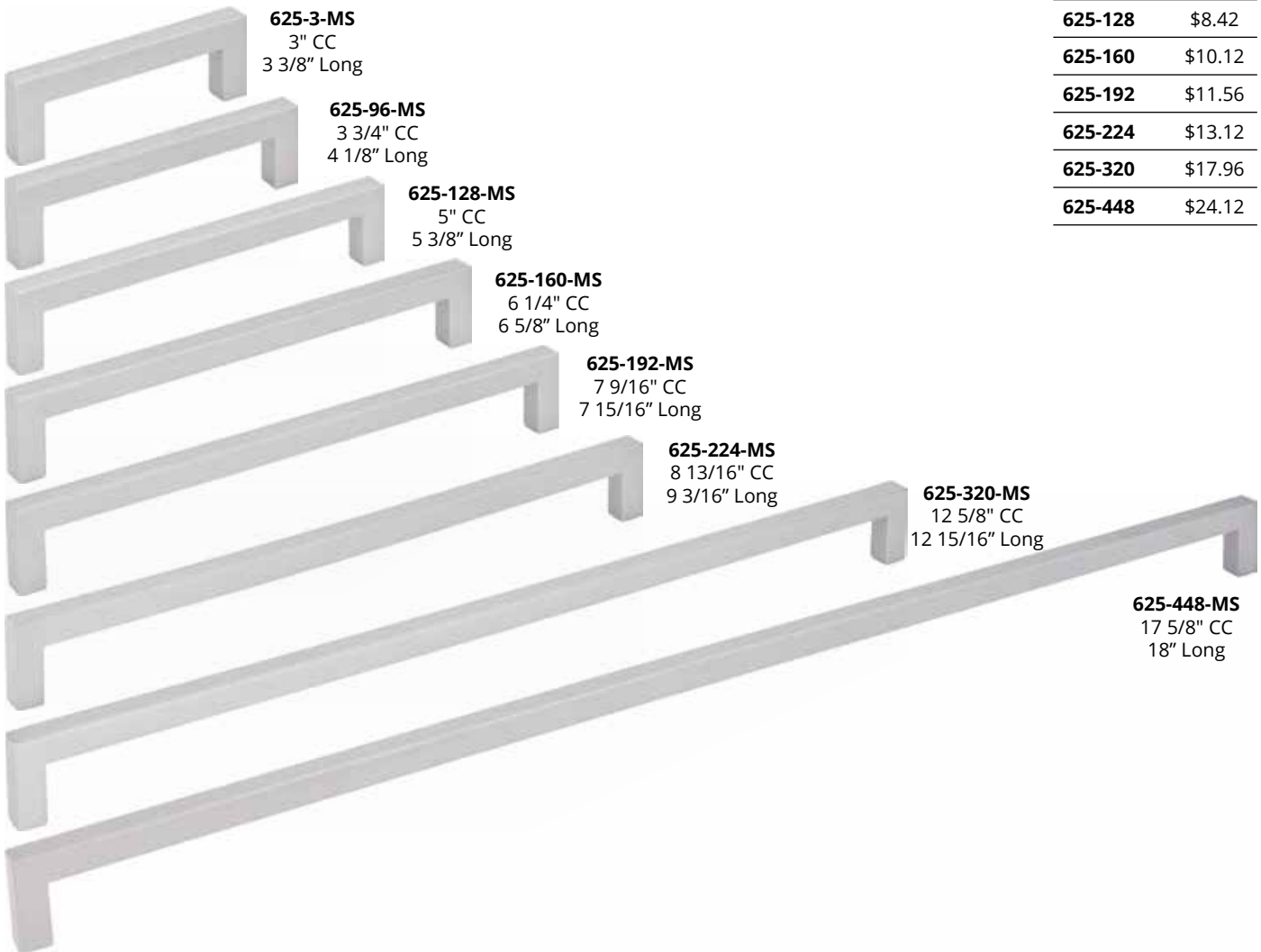
80814-DBAC
3 3/4" CC
5" Long

80815-DBAC
5" CC
6 1/4" Long

Item	MSRP
8004	\$4.44
81065	\$5.32
80814	\$3.48
80815	\$5.32

Stanton

AVAILABLE FINISHES



625-3-MS
3" CC
3 3/8" Long

625-96-MS
3 3/4" CC
4 1/8" Long

625-128-MS
5" CC
5 3/8" Long

625-160-MS
6 1/4" CC
6 5/8" Long

625-192-MS
7 9/16" CC
7 15/16" Long

625-224-MS
8 13/16" CC
9 3/16" Long

625-320-MS
12 5/8" CC
12 15/16" Long

625-448-MS
17 5/8" CC
18" Long

Item	MSRP
625-3	\$5.96
625-96	\$7.20
625-128	\$8.42
625-160	\$10.12
625-192	\$11.56
625-224	\$13.12
625-320	\$17.96
625-448	\$24.12

Strickland

AVAILABLE FINISHES



771-3-SN
3" CC
4 1/2" Long

771-96-SN
3 3/4" CC
5 3/16" Long

771-128-SN
5" CC
6 5/16" Long

771-160-SN
6 1/4" CC
7 11/16" Long

Item	MSRP
771-3	\$6.02
771-96	\$6.84
771-128	\$7.90
771-160	\$9.34

330.897.7701

Syracuse

AVAILABLE FINISHES



BNBDL DBAC PC SN



575-96-BNBDL
3 3/4" CC
4 7/8" Long



575-BNBDL
Knob
1 3/16" Dia.

Item	MSRP
575	\$3.42
575-96	\$6.92

Thatcher

AVAILABLE FINISHES



MB DBAC BNB DL SBZ BG SN PC



859-3-SBZ
3" CC
5 1/4" Long



859-96-SBZ
3 3/4" CC
6" Long



859-128-SBZ
5" CC
7 1/4" Long



859-160-SBZ
6 1/4" CC
8 1/2" Long



859T-SBZ
Knob
1 1/2" Dia.

Item	MSRP
859T	\$3.08
859-3	\$4.84
859-96	\$4.84
859-128	\$6.30
859-160	\$8.70

859-128-SBZ
Thatcher



Torino

AVAILABLE FINISHES



Item	MSRP
K271-3SS	\$5.34
S271-3	\$2.66
K271-3.5-SS	\$4.84
S271-3.5	\$2.82
K271-96-SS	\$5.02
S271-96	\$2.84
K271-4SS	\$5.96
S271-4	\$2.98
S271-128	\$2.98

NOTE: K271-3, K271-3.5, K271-96, and K271-4 are only available in SS Finish.

Vienna

AVAILABLE FINISHES



Item	MSRP
110	\$3.10
202	\$2.28
110-3	\$4.64
P106	\$3.48

NOTE: AB Finish is only available for 202.

Verona



346564-MB
128MM CC
6" Long



346564-SN
128MM CC
6" Long



4655-BLK
128MM CC
6 1/4" Long



4655-SN
128MM CC
6 1/4" Long



413321
128MM CC
7 3/8" Long



409223
128MM CC
7 3/8" Long



409223-SN
128MM CC
7 3/8" Long



4307305
192MM CC
8 5/8" Long



413322
"T" Knob
7/8" Proj.



409222
"T" Knob
7/8" Proj.



409222-SN
"T" Knob
7/8" Proj.

Item	MSRP
413322	\$2.60
409222	\$2.60
Z105	\$3.24
346564	\$6.62
4655	\$5.64
413321	\$8.54
409223	\$8.54
4307305	\$9.18



Z105-MB
3" CC
3 7/8" Long



Z105-SN
3" CC
3 7/8" Long

Walker 1

AVAILABLE FINISHES



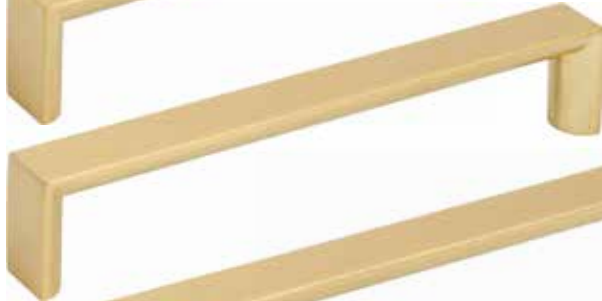
MB BNBDL SBZ BG SN PC



827-96-BG
96MM CC
4 1/8" Long



827-128-BG
128MM CC
5 3/8" Long



827-160-BG
160MM CC
6 11/16" Long



827-192-BG
192MM CC
7 15/16" Long



827-12-BG
12" CC
12 1/2" Long



827-BG
Square Knob
1 1/4" Long



827L-BG
Square Knob
1 5/8" Long

Item	MSRP
827	\$5.64
827L	\$7.72
827-96	\$8.22
827-128	\$10.24
827-160	\$12.54
827-192	\$14.76
827-12	\$91.04

Walker 2

AVAILABLE FINISHES



MB BNBDL SBZ BG SN PC



727-96-PC
96MM CC
4" Long



727-128-PC
128MM CC
5 5/16" Long



727-160-PC
160MM CC
6 9/16" Long



727-192-PC
192MM CC
7 13/16" Long

Item	MSRP
727-96	\$5.64
727-128	\$6.88
727-160	\$7.64
727-192	\$9.28

330.897.7701

Watervale

AVAILABLE FINISHES



SN BNBDL PC DBAC

Item	MSRP
647	\$2.94
647-3	\$3.64
647-96	\$5.32



647-DBAC
Knob
1 1/8" Dia.



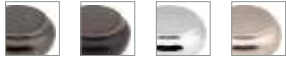
647-3-DBAC
3" CC
4 5/8" Long



647-96-DBAC
3 3/4" CC
5 3/8" Long

Westbury

AVAILABLE FINISHES



BNBDL DBAC PC SN

Item	MSRP
3898	\$4.58
3899	\$3.62



3898-PC
Knob
1 1/4" Dia.



3899-PC
3" CC
5 1/8" Long

Zachary

AVAILABLE FINISHES



BNBDL DBAC PC SN MB

Item	MSRP
988	\$3.04
988-3	\$4.10
988-96	\$5.70
988-128	\$6.60
988-160	\$8.12



988-3-SN
3" CC
3 3/4" Long



988-SN
Knob
1 1/6" Dia.



988-96-SN
3 3/4" CC
4 1/2" Long



988-128-SN
5" CC
5 3/4" Long



988-160-SN
6 1/4" CC
7 1/16" Long

Hooks

AVAILABLE FINISHES



SN DBAC PC

Item	MSRP
YD50-518	\$9.72
YD45-431	\$13.44
YD60-550	\$12.36
YD55-587	\$12.36
YT40C-400	\$13.38
YT40-400	\$9.92
YD40-450	\$9.86
YD40-337	\$7.24
YD30-381	\$7.24
YD25-256	\$6.68
YD20-156	\$7.40
YD10-231	\$5.48
YD15-187	\$6.08
YS05-175	\$4.70



YD50-518-DBAC
2 7/16" Proj
5 3/16" Height



YD45-431-PC
2 3/4" Proj
4 5/16" Height



YD60-550-SN
3 1/4" Proj
5 1/2" Height



YD55-587-SN
2 1/2" Proj
5 7/8" Height



YT40C-400-DBAC
2 3/8" Proj
4" Height



YT40-400-PC
2 1/4" Proj
4" Height



YD40-450-DBAC
3 9/16" Proj
4 1/2" Height



YD40-337-PC
2 3/8" Proj
3 3/8" Height



YD30-381-DBAC
2 15/16" Proj
3 9/16" Height



YD25-256-PC
1 3/8" Proj
2 9/16" Height



YD20-156-SN
2" Proj
1 1/2" Height



YD10-231-PC
2 3/4" Proj
2 5/16" Height



YD15-187-DBAC
1" Proj
1 7/8" Height



YS05-175-SN
1 3/4" Proj
1 3/4" Height

Newbury

AVAILABLE FINISHES



BHE3-01-SN
Euro Paper Holder
5 3/8" Long



BHE3-02-SN
Robe Hook
2 9/16" Long



BHE3-06-SN
Towel Ring
7 3/16" Long

Item	MSRP
BHE3-01	\$33.14
BHE3-02	\$24.00
BHE3-03	\$48.30
BHE3-04	\$51.24
BHE3-06	\$31.68

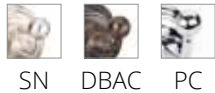


BHE3-03-SN
18" CC
19 3/4" Long

BHE3-04-SN
24" CC
25 3/4" Long

Fairview

AVAILABLE FINISHES



BHE5-07-DBAC
Euro Paper Holder
5 3/8" Long



BHE5-02-DBAC
Robe Hook
3 3/4" Long



BHE5-06-DBAC
Towel Ring
7 9/16" Long

Item	MSRP
BHE5-01	\$37.44
BHE5-02	\$28.56
BHE5-03	\$50.00
BHE5-04	\$52.74
BHE5-06	\$32.52
BHE5-07	\$41.12



BHE5-01-DBAC
6 1/2" CC
9" Long



BHE5-03-DBAC
18" CC
20 1/2" Long

BHE5-04-DBAC
24" CC
26 1/2" Long



171-SN
Richard

JEFFREY ALEXANDER®
by Hardware Resources



775-128-SBZ
Carmen



478-DBAC
Larkin



511-3DBAC
Seaver

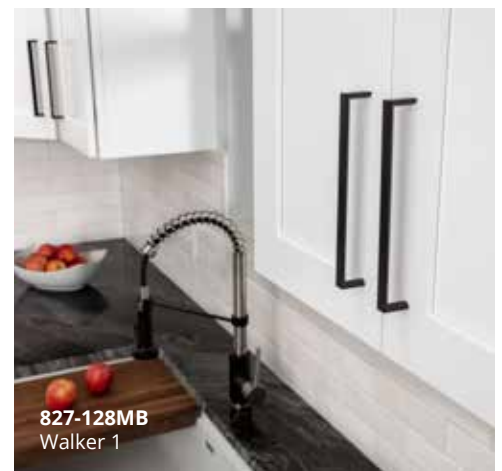


105-128BNBDL
Gibson



183-3DBAC
Park

ELEMENTS®
by Hardware Resources



827-128MB
Walker 1